

PRIMUS

3219
OMNILITE TI

Design and Quality Primus AB
Primus AB, Mariehällsvägen 37A
SE - 168 65 Bromma, Sweden
+46 8 564 842 30
www.primusequipment.com



CE -2531

ID: 2531CT-0127

Fig 1

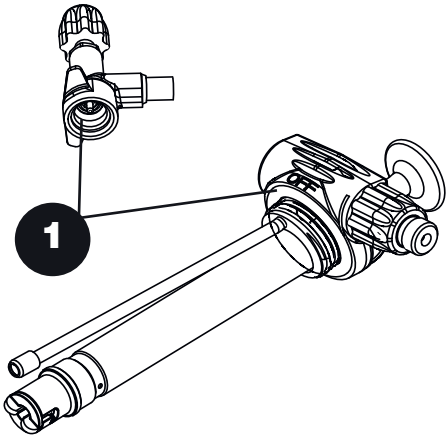


Fig 4

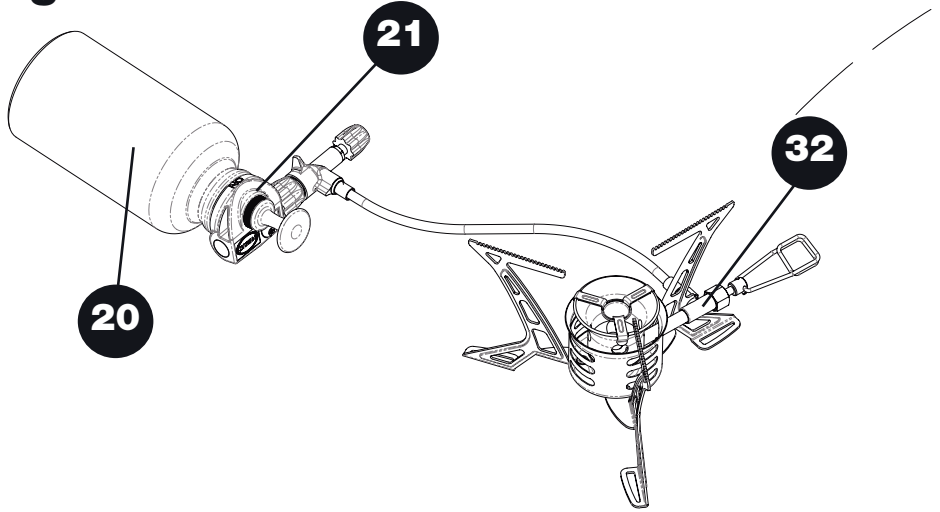


Fig 2

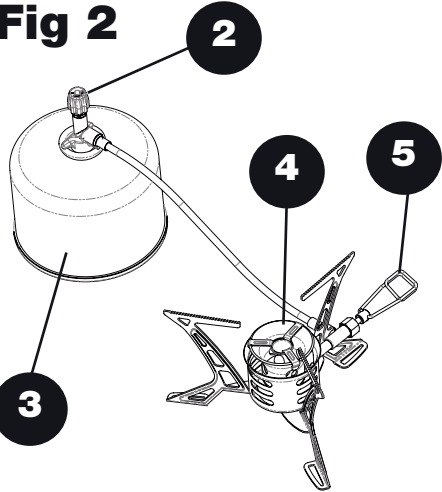


Fig 5

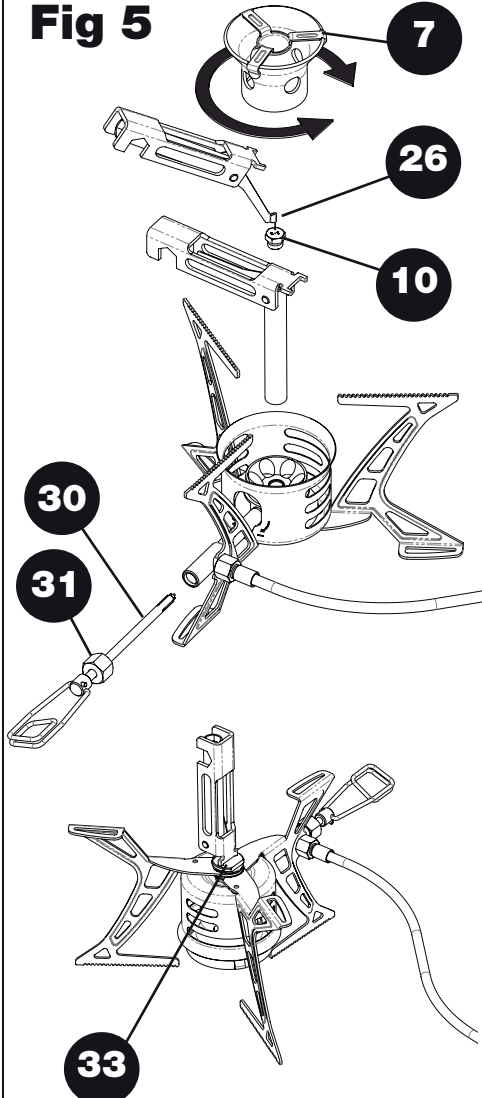


Fig 6

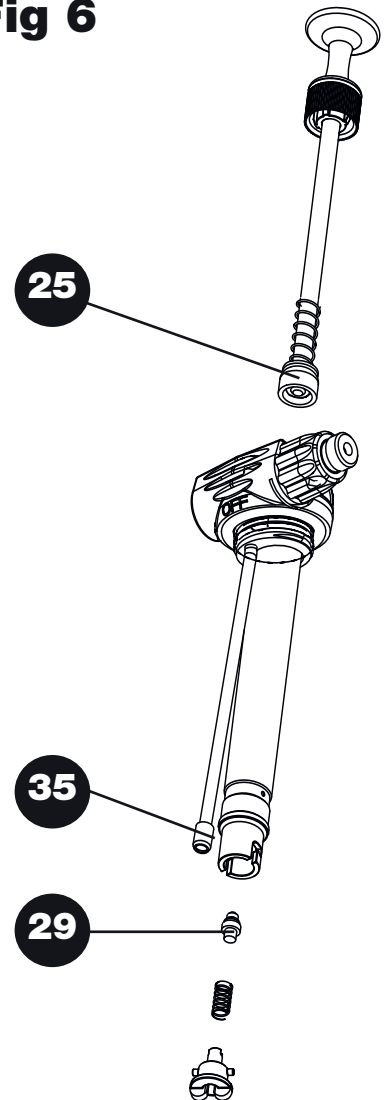
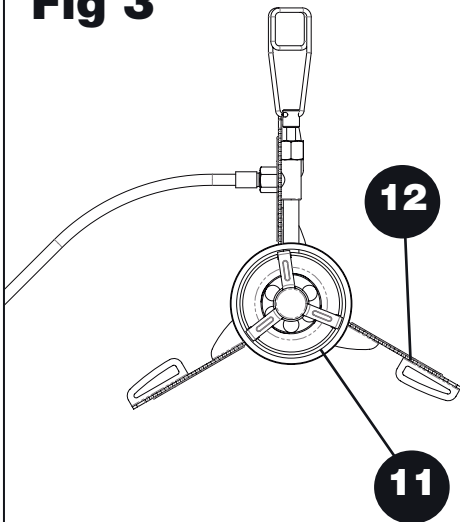


Fig 3





IMPORTANT: Read these instructions carefully before connecting the appliance to the gas cartridge or liquid fuel bottle. Study the instructions at regular intervals to remain familiar with the operation of the appliance and keep them for future reference. **Failure to follow these instructions may result in serious injury or death!**

CAUTION: This appliance consumes air (oxygen) and produces carbon dioxide. To avoid danger to life, **NEVER** light or use the appliance in an unventilated space, indoors, in a tent, in a vehicle or in any other enclosed area.

Use outdoors only!

NEVER cover the stove (gas cartridge or liquid fuel bottle) with a wind shield, rocks or similar which may cause overheating or damage to the stove and cartridge/fuel bottle. Overheating a gas cartridge or liquid fuel bottle in this way is highly dangerous.

FUELS AND PERFORMANCE

Jet 36 (0.36 mm)

- Primus cartridge gas (propane/butane/isobutane mix) is the ideal fuel for the OmniLite Ti stove. The fuel is very easy to use, normally requires no priming, and is efficient, environmentally friendly and clean (no soot). Minimum maintenance and cleaning are required.

Jet 32 (0.32 mm)

- High quality white gas (PRIMUS PowerFuel, MSR® White Gas/Coleman® Fuel) affords clean combustion and leaves practically no deposits in the fuel system.
- Vehicle petrol should be used only in exceptional cases since it contains additives which are harmful to your health and also leave deposits in the fuel system.
- For health reasons, leaded petrol should never be used.

Jet 25 (0.25mm)

- Although kerosene is available worldwide, it creates more soot, is more difficult to prime and necessitates frequent cleaning.
- Diesel oil may be used if no other fuel is available. Diesel oil burns with a very sooty flame, takes a long time to preheat and necessitates frequent cleaning.

1. INTRODUCTION

- 1.1 This appliance is designed for use only with Primus 2202, 2206 and 2207 gas cartridges containing propane/butane/isobutane gas mixtures or Primus liquid fuel bottles for white gas (PRIMUS PowerFuel, MSR® White Gas/Coleman® Fuel), unleaded petrol, paraffin and other, equivalent fuels.
- 1.2 Any attempt to fit another type of gas cartridges or liquid fuel bottle may be dangerous. This may result in leakage, leading to injury or death.
- 1.3 Gas consumption: 130 g/h / 6 300 Btu/h (approx. 2.3 kW) at 1 bar pressure. (Canada: Gas: 8733 Btu/h, white gas/kerosene 6250 Btu/h)
- 1.4 Jet size: 0.36 mm for Primus disposable cartridges. Jet size: 0.32 mm for white gas (PRIMUS PowerFuel, MSR® White Gas/Coleman® Fuel) and unleaded petrol. Jet size: 0.25 mm for kerosene and similar fuels.
- 1.5 This appliance complies with ANSI Z21.72-2019/ CSA 11.2-2019. The CE approval (EN 521) regards only LP Gas.
- 1.6 **Ensure at all times that the hose between the cartridge and stove is straight, and cannot come in contact with the flame or hot gases.** Ensure that the hose is not twisted or subject to abrasion.

2. SAFETY INFORMATION (Fig. 1)

- 2.1 Ensure that the appliance and pump seals (1) are in place and in good condition before fitting the gas cartridge or liquid fuel bottle.
- 2.2 The appliance may be used outdoors only. NEVER light or use the appliance in an unventilated space, indoors, in a tent, in a vehicle or in any other enclosed area.
- 2.3 The appliance must be operated on a level surface.
- 2.4 Ensure that no flammable materials or spilled fuel are present in the vicinity of the appliance (see 4.8.6 and 6.8.6).
- 2.5 Always fit or replace the gas cartridge/liquid fuel bottle in a safe place. This should be done outside only, away from possible sources of ignition, such as naked flames, pilot lights and electric fires, and well away from other people.
- 2.6 In the event of a leak from your appliance (as indicated by a smell of gas, white gas etc.), remove the stove immediately to a well-ventilated location outdoors, away from possible sources of ignition, where the leakage can be investigated and corrected. Checking the correct operation of the appliance when using cartridge gas should only be carried out outdoors. **NEVER** check for leaks with a naked flame, use soapy water.
- 2.7 Never use an appliance with damaged or worn seals. Never use a leaking, damaged or malfunctioning appliance.
- 2.8 Never leave the appliance unattended when lit.
- 2.9 Do not allow pans to boil dry.
- 2.10 Safe storage and operating temperature is maximum 50°C (122°F)

3. HANDLING THE APPLIANCE

- 3.1 Be careful not to touch the hot parts of the appliance during or after use.
- 3.2 Storage: Always unscrew the cartridge or liquid fuel bottle from the appliance when not in use. Store the cartridge or bottle in a safe, dry place away from heat.
- 3.3 Do not misuse the appliance, or use it for any purpose other than that intended.
- 3.4 Handle the appliance with care. Do not drop it.

4. ASSEMBLING AND OPERATING THE APPLIANCE WITH A GAS CARTRIDGE (Figs. 2 and 4)

- 4.1 **It is absolutely essential that the fuel line be completely clear of liquid fuel when cartridge gas is used, otherwise a dangerously high flame will result! (See 6.8.7 for instructions on how to drain the fuel system.) Also ensure that a 0.36 mm jet is installed.**
- 4.2 Ensure that the shut-off valve (2) and gas control (5) are fully closed (by turning the knob fully clockwise).
- 4.3 Keep the cartridge (3) upright when fitting it to the valve.
- 4.4 Place the valve squarely on top of the cartridge (as shown in Fig. 2).
- 4.5 Screw the cartridge carefully into the valve until it meets the O-ring, taking care not to cross-thread the cartridge. **Hand-tighten only. Do not over-tighten, otherwise the cartridge valve may be damaged.**
- 4.6 Ensure that the gas seal is tight. Carry out checks outdoors. **NEVER** use a naked flame to check for leaks. Apply warm, soapy water to the joints and connections, and observe for leaks in the form of bubbles around the suspect area. If in doubt, or if an escape of gas can be heard or smelled, do not attempt to light the appliance. Unscrew the cartridge and contact your local dealer.
- 4.7 Swing the legs (pan supports) (12) into position in the wind shield (11).
- 4.8 The stove is now ready for use.
- 4.9 Always place the appliance on a steady surface. Ensure that the hose is fully extended, and that it is run straight between the cartridge and stove. Keep the cartridge clear of the heat of the appliance.
- 4.10 First turn the shut-off valve (2), then the gas

control (5) counterclockwise and light the burner (4) immediately.

- 4.11 Adjust the flame using the gas control (5) or shut-off valve (2).
- 4.12 After lighting, keep the appliance upright and do not move it around. A high flame may occur if the appliance has not been preheated fully or if it is moved without care.
- 4.13 After use, first close the shut-off valve (2). When the flame is extinguished, also close the gas control (5).
- 4.14 A minimum clearance must be maintained with flammable materials. The minimum permissible clearance between the appliance and ceiling, and between the appliance and the nearest wall, is 1,250 mm. **These minimum clearances must be observed to prevent a fire hazard.**

5. CHANGING THE CARTRIDGE

- 5.1 Close the shut-off valve (2) and gas control (5) fully. Ensure that the flame is extinguished and that there is no other flame source in the vicinity. Change the cartridge outdoors away from other people. Unscrew the cartridge from the valve and replace the O-ring seal if cracked or worn. Avoid cross-threading by placing the valve squarely on the cartridge thread, and hand-tighten only as described in section 4.

6. ASSEMBLING AND OPERATING THE APPLIANCE WITH LIQUID FUEL (Figs. 3 and 4)

- 6.1 The appliance is delivered with three jets. Jet 36 is for cartridge gas, jet 32 for white gas and unleaded petrol, and jet 25 for kerosene, diesel oil and similar fuels. Ensure that the correct jet is installed.
- 6.2 Fill a Primus fuel bottle to the filling mark with liquid fuel. NOTE! Never overfill the bottle!
- 6.3 Ensure that the shut-off valve (2) and gas control (5) are fully closed (by turning the knob fully clockwise).
- 6.4 Screw the pump (21) into the fuel bottle (20).
- 6.5 Screw the fuel pump swivel coupling (22) carefully into the valve until it meets the control valve O-ring (as shown in Fig. 3). Be careful not to cross-thread the connection. **Hand-tighten only – overtightening will damage the connection.**
- 6.6 Swing the legs (pan supports) (12) into position in the wind shield (11).
- 6.7 Pump about 20 full strokes, or more if the fuel level is below the filling mark on the fuel bottle.
- 6.8 Place the fuel bottle on a firm, level surface with the text 'ON' the fuel pump facing upward.
- 6.9 Always place the appliance on a steady surface. Ensure at all times that the hose between the cartridge and stove is straight, and cannot come in contact with the flame or hot gases. **Ensure that the hose is not twisted or subject to abrasion. Keep the fuel bottle away from the heat of the appliance.**
- 6.10 First open the shut-off valve (2) then open the gas control (5) by turning it a half turn counterclockwise. Allow fuel to spray from the jet for about 2 seconds before closing the control. If using kerosene or diesel, or if the weather is cold and windy, more fuel will be required for preheating. In this case, allow fuel to escape for 4-6 seconds.
- 6.11 Check for leaks at the shut-off valve, gas control, fuel pump, jet, fuel hose and fuel line. **DO NOT USE THE APPLIANCE IF LEAKS ARE PRESENT.**
- 6.12 Light the priming pad. **DO NOT LEAN OVER THE APPLIANCE WITH YOUR HEAD OR BODY!** The priming pad will now burn for about 40 seconds if white gas is used, and for longer if kerosene or diesel is used or if the ambient temperature is low. Open the gas control slowly (by turning counterclockwise) when the fuel in the priming pad begins to run out, but before the flame has expired completely. If the appliance burns with a yellow or an unstable flame, priming

has been insufficient. Try closing the gas control somewhat until a steady, blue flame is established and allow the device to burn at low power for a while to heat up. If the stove still cannot be operated at full power, the only course is to turn it off, allow it to cool fully and repeat the priming procedure for a longer period using more priming fuel. Remember also that the stove must be shielded from the wind during this procedure.

- 6.13 After lighting, keep the appliance upright and do not move it around. A high flame may occur if the appliance has not been preheated fully or if it is moved without care.
- 6.14 A minimum clearance must be maintained with flammable materials. The minimum permissible clearance between the appliance and ceiling, and between the appliance and the nearest wall, is 1250 mm (48 inches). **These minimum clearances must be observed to prevent a fire hazard.**
- 6.15 To turn the appliance off and empty the fuel system, turn the fuel bottle over so that the 'OFF' on the fuel pump is facing upward. When the flame has been extinguished and air is flowing through the jet, close the shut-off valve (2) by turning the knob fully counterclockwise. Note! This procedure will take about 1 minute. Also close the gas control (5) when the appliance has been turned off. Allow the appliance to cool before disassembling it.
- 6.16 **NEVER** relight a hot appliance. Hot parts may vaporise the liquid fuel and cause a dangerous 'fireball'.

7. MAINTENANCE

- 7.1 When using liquid fuels, the jet should be cleaned regularly for optimum, trouble-free operation. If the appliance is used for long periods or with poor quality fuel, the control spindle (30) will require cleaning.
- 7.2 **Cleaning the jet**
Close the shut-off valve (2) and gas control (5), and unscrew the cartridge or fuel bottle.
- 7.3 The jet (10) can be cleaned in situ or when unscrewed from the appliance.
- 7.4 Clean the jet using the cleaning needle (26) supplied with the appliance.
- 7.5 Refit the jet and screw it home securely to ensure a good seal. Fit a Primus cartridge for added safety and check the joint with warm soapy water. The appearance of bubbles indicates that the joint is not sufficiently tight.
- 7.6 **Cleaning of control spindle**
Unscrew the locknut (31) using the multi-tool. Unscrew the spindle. Carefully clean the three grooves at the tip of the spindle, for example using a fingernail. Take care not to damage the spindle threads. Ensure that the spindle O-ring is intact and check its tightness following reassembly. For extra safety use a Primus cartridge and check the tightness of the joint with soapy water. The presence of bubbles indicates that the joint is not tight.
- 7.7 **Fuel pump**
If the pump does not pressurise the fuel bottle, stretch the leather pump gasket (25) slightly and lubricate it with Primus leather oil (saliva or a mineral-based oil). Unscrew and withdraw the pump rod. Rub oil into the gasket until it becomes soft and pliable. If the pump still fails to pressurise the fuel bottle, replace the gasket or proceed to 7.8.
- 7.8 If the pump fails to maintain the pressure in the fuel bottle, clean and check the non-return valve (29). Remove the valve and wipe the rubber gasket with a cloth. Refit the valve.
- 7.9 **Routine service and maintenance**
Always ensure that the seals and O-rings are correctly seated and are in good condition. Carry out this check each time before assembling the appliance. Replace the seals if damaged or worn. New seals are available from your local dealer.
- 7.10 **Multi-tool**
The tool is used for removing and fitting the jet

(10), locknut (31), hose connection (32), bottom screw (33) and priming pad lock (34). See Fig. 5.

8. HINTS AND TROUBLESHOOTING

Primus cartridge gas (propane/butane mix) is the ideal fuel for the OmniLite Ti stove. The fuel is very easy to use, normally requires no priming, and is efficient, environmentally friendly and clean (no soot). Minimum maintenance and cleaning are required.

High quality white gas (PRIMUS PowerFuel, MSR® White Gas/Coleman® Fuel) affords clean combustion – although not as clean as cartridge gas – and leaves practically no deposits in the fuel system.

The stove is equipped with fuel filters in the pump hose (35). These filters normally require no other attention than replacement as required. When replacing the filter in the hose connection, the existing filter may be removed by sticking a pointed object (such as a needle) in the filter and prying it out, taking care to avoid damage to the sealing faces. Carry out leak testing as described in 4.5.

The factors which govern the output of stoves running on cartridge gas are listed below, with hints on how to increase (or maintain) output in cold weather.

Factors affecting heat output

- Quantity of gas in cartridge
- Temperature of ambient air
- Initial temperature of gas

How to increase output in cold weather

- Preheat the cartridge by placing it upright in 1" (2.5 cm) of warm water.
- Preheat the cartridge with your hands or place it inside your jacket before connecting it to the appliance.

Possible causes of reduced power

- Insufficient pressure in liquid fuel bottle
- Incorrect jet fitted
- Jet or jet filter blocked
- Control spindle grooves blocked (see 7.5 above)
- Fuel filter blocked
- Appliance not shielded from wind etc.

Possible causes of unstable, yellow flame

- Insufficient priming
- Incorrect jet
- Appliance not shielded from wind etc. Use Primus windscreen and heat reflector or move stove to sheltered location.
- Excessive pressure in fuel bottle due to excessive pumping. Reduce power by closing gas control.
- Old or poor-quality fuel

9. SERVICE AND REPAIR

- 9.1 Return the appliance to your local retailer if a fault cannot be corrected using these instructions.
- 9.2 Never attempt any other maintenance or repair.
- 9.3 Never modify the appliance since this may make it unsafe.
- 9.4 The stove has been approved with a factory-fitted hose. For this reason the hose must **NEVER** be replaced by a type other than the original.

10. PARTS AND ACCESSORIES

- 10.1 Use only Primus brand parts and accessories. Take care to avoid touching hot parts when fitting parts and accessories.
- 10.2 Replacement cartridges: Use only Primus 2202, 2206 and 2207 propane/butane/isobutane mix gas cartridges with this appliance. Replacement fuel bottles: Use only Primus 734120, 721950, 721960 and 732530 fuel bottles with this appliance.
- 10.3 Parts are available from your Primus dealer or from your importer.
- 10.4 Contact your importer if you have any difficulty in obtaining parts or accessories, visit www.primusequipment.com.



3219 PRIMUS OmniLite Ti, Kök

BRUKSANVISNING

VIKTIGT: Läs noga igenom denna bruksanvisning innan apparaten ansluts till gasbehållaren eller bränsleflaskan. Studera därefter bruksanvisningen regelbundet för att hålla kunskapen vid liv beträffande apparatens funktion. Behåll denna bruksanvisning för framtida bruk: **Följdena av att inte följa denna anvisning kan leda till allvarliga personskador och död!**

WARNING: Denna apparat förbrukar syre och producerar koldioxid. Använd eller antänd INTE denna apparat i oventilerade utrymmen, inomhus, i ett tält, i ett fordon eller annat instängt utrymme för att undvika fara för liv. **ENDAST FÖR UTMOMHUSBRUK!**

Täck **ALDRIG** köket (gasbehållaren eller bränsleflaskan) med vindskydd, stenar eller liknande som kan förorsaka överhettning och skador på köket och gasbehållaren/bränsleflaskan. Överhettning av gasbehållare eller bränsleflaskor på detta sätt är livsfarligt.

BRÄNSLEN OCH PRESTANDA

Munstycke 36 (0,36mm)

- Primus gas engångsbehållare (propan/butan/isobutan blandning) är det ideala bränslet för OmniLite Ti. Det är enkelt att använda, ingen förvärmning, effektivt, rent (inget sot) och kräver nästan inget underhåll och service.

Munstycke 32 (0,32mm)

- Bra kvalitativ Industribensin eller PRIMUS PowerFuel, MSR® White Gas/Coleman® Fuel har en ren förbränning och lämnar nästan inga beläggningar i bränslesystemet.
- Fordonsbensin bör endast användas undantagsvis, eftersom sådan innehåller tillsatser som är hälsovådliga och som dessutom lämnar beläggningar i bränslesystemet.
- Av hälsoskäl skall aldrig blyad bensin användas.

Munstycke 25 (0,25mm)

- Fotogen finns tillgängligt i hela världen men brinner med en sotigare låga, den är också svårare att förvärma och kan kräva regelbunden rengöring.
- Dieselbränsle kan användas då inget annat bränsle finns tillgängligt. Bränslet brinner med en sotande låga, tar lång tid att förvärma och kräver regelbunden rengöring.

1. INLEDNING

- 1.1 Denna gasapparat är avsedd endast för Primus gasbehållare 2202, 2206 och 2207 med propan/butan/isobutan gasblandning eller Primus bränsleflaskor för Industribensin (PRIMUS PowerFuel, MSR® White Gas/Coleman® Fuel), oblyad bensin, fotogen och andra liknade bränslen.
- 1.2 Det kan vara riskfyllt att försöka ansluta denna gasapparat till andra sorters gasbehållare eller bränsleflaskor. Det kan medföra läckor som kan orsaka personskador eller död.
- 1.3 Gasförbrukning: 130 g/h / 6300 Btu/h / ca. 1,8 kW vid 1 bars tryck. (Gas Canada 8733 Btu/h)
- 1.4 Munstycksstorlek: 0,36 mm för Primus engångsbehållare. Munstycksstorlek: 0,32 mm för Industribensin (PRIMUS PowerFuel, MSR® White Gas/Coleman® Fuel) och oblyad bensin. Munstycksstorlek: 0,25 mm för fotogen eller liknade bränslen.
- 1.5 Denna apparat uppfyller kraven enligt EN 521, CAN1-11.2-M79 och CSA B140.9.2-1975. CE-märkningen (EN 521) omfattar endast gasolldrift.
- 1.6 **Ha alltid uppsikt över att slangen är riktad från köket och inte kommer i kontakt med lågan eller de heta avgaserna.** Undvik att slangen tvinnas eller utsätts för nötning.

2. RÅD FÖR SÄKER ANVÄNDNING

- 2.1 Se till att apparatens och pumpens tätningar (1) är korrekt placerade och i gott skick innan gasbehållaren eller bränsleflaskan ansluts.
- 2.2 Denna apparat är avsedd endast för utomhusbruk. Använd eller antänd INTE denna apparat i oventilerade utrymmen, inomhus, i ett tält, i ett fordon eller annat instängt utrymme för att undvika fara för liv. Placera gasapparaten på en plan yta.
- 2.3 Se till att inget brännbart föremål finns i närheten så som finns beskrivet under punkterna 4.8.4 och 6.8.6.
- 2.5 Vid byte eller anslutning av gasbehållaren/bränsleflaska skall detta ske på en säker plats, utomhus, ej i närheten av antändningskälla som öppen låga, pilot-låga, elkamin, ej heller andra människor.
- 2.6 I fall av läckage från apparaten (luft av gas bensin etc) placeras denna omedelbart på en väl ventilerad plats utomhus ej i närheten av antändningskälla där läckan kan undersökas och stoppas. Kontroll av gasläckage får endast ske utomhus. Kontroll av läckage får **aldrig** ske med öppen låga. Använd i stället tvålvatten.
- 2.7 Använd aldrig en apparat med skadade eller utnötta

- tätningar, ej heller en läckande, skadad eller dåligt fungerande apparat.
- 2.8 Lämna aldrig en tänd apparat utom synhåll.
- 2.9 Se till att kastruller ej kokar torrt.

3. HANTERING AV APPARATEN

- 3.1 Vidrör ej de upphettade delarna av apparaten under eller strax efter användandet.
- 3.2 Förvaring: Skruva av gasbehållaren/bränsleflaskan från apparaten då den ej används. Gasbehållaren ska förvaras på en torr säker plats, där det ej finns några värmekällor i närheten.
- 3.3 Missbruka ej apparaten eller använd den för andra ändamål än de den är avsedd för.
- 3.4 Handskas varsamt med apparaten. Tappa den ej.

4. MONTERING OCH ANVÄNDNING AV APPARATEN MED GASBEHÅLLARE

- 4.1 **Det är oerhört viktigt att bränslesystemet är helt tomt på annat bränsle innan gasbränslet används. En farlig uppfammande låga kan annars uppstå (anvisning om hur man tömmer system finns under punkt 6.8.7). Säkerställ också att munstycke 45 är installerat.**
- 4.2 Se till att avstängningsventilen (2) och reglervredet (5) är helt stängda (genom att vrida maximalt medurs).
- 4.3 Håll gasbehållaren (3) i upprätt läge när den ska anslutas till ventilen.
- 4.4 Placera ventilen rakt på gasbehållaren (se Fig.2)
- 4.5 Skruva försiktigt gasbehållaren in i ventilen till dess den vidrör ventilens O-ring. Se till att ingen snedgångning sker vid anslutningen till gasbehållaren. **OBS! Gasbehållaren får endast skruvas på ventilen med handkraft. Vid för hård åtskruvning kan skador uppstå på gasbehållaren.**
- 4.6 Se till att fullständig tätning för gasen uppnåtts. Kontroll av gas får endast ske utomhus. Kontroll av läckage får aldrig ske med öppen låga. Använd tvålvatten som appliceras vid gasapparaternas sammanfogningar och anslutningar. Vid läckage uppstår bubblor runt det läckande området. Om det finns anledning att tro att läckage föreligger eller om det luktar gas, tänd ej gasapparaten. Skruva av gasbehållaren och återlämna gasapparaten till din Primus återförsäljare.
- 4.7 Roter benen (kärlstöden) (12) i sin rätta position i vindskyddet (11).
- 4.8 Köket är nu klart för användning.
- 4.9 Apparaten ska alltid stå på en stadig yta. Se till att slangen är helt sträckt och att den är riktad från köket. Gasbehållaren ska vara utom räckhåll för kökets värme.
- 4.10 Vrid först avstängningsventilen (2) och sedan reglervredet (5) moturs, tänd brännaren (4) omedelbart.
- 4.11 Justera lågan genom att vrida reglervredet (5) eller avstängningsventilen (2).
- 4.12 Apparaten får endast användas i upprätt läge. Flytta aldrig en tänd apparat. En fladdrande låga kan uppstå innan apparaten blivit varm eller om den flyttats alltför häftigt.
- 4.13 Efter användandet stäng först avstängningsventilen (2), då lågan slocknat stängs även reglervredet (5).
- 4.14 Avstånd till brännbart material skall säkerställas. Avstånd till tak skall minst vara 1250 mm och vägg minst 1000 mm **OM INTE** kan brand uppstå!

5. BYTE AV GASBEHÅLLARE

- 5.1 Stäng avstängningsventilen (2) och reglervredet (5) helt. Se till att lågan är släckt och att ingen annan öppen eld finns i närheten. Gasbehållaren ska bytas utomhus där inga människor befinner sig. Skruva av behållaren från ventilen och byt ut O-ringen, som tätar köket, om denna är sprucken eller utnött. Undvik snedgångning genom att placera ventilen rakt på gasbehållarens gång och skruva i den endast med handkraft, såsom beskrivits under punkt 4.

6. MONTERING OCH ANVÄNDNING AV APPARATEN MED FLYTANDE BRÄNSLEN

- 6.1 Apparaten levereras med tre munstycken. Munstycket märkt 36 är avsett för Primus gasbehållare, munstycke 32 för industribensin och oblyad bensin och munstycket märkt 25 är avsett för fotogen, diesel eller liknande bränslen. Säkerställ att rätt munstycke är installerat.
- 6.2 Fyll Primus bränsleflaska upp till fyllinjen med flytande bränsle. **OBS!** Aldrig över fyllinjen!
- 6.3 Se till att avstängningsventilen (2) och reglervredet (5) är helt stängda (genom att vrida maximalt medurs).
- 6.4 Skruva i pumpen (21) i bränsleflaskan (20).
- 6.5 Skruva försiktigt pumpens svivelkoppling in i ventilen till dess den vidrör ventilens O-ring. Se till att ingen snedgångning sker vid anslutningen till svivelkopplingen. **OBS! Svivelkopplingen får endast skruvas på ventilen med handkraft. Vid för hård åtskruvning kan skador uppstå på svivelkopplingen.**

- 6.6 Roter benen (kärlstöden) (12) i sin rätta position i vindskyddet (11).
- 6.7 Pumpa c:a 20 pumpslag, mer om bränsle nivån är under fyllinjen i bränsleflaskan.
- 6.8 Placera bränsleflaskan på en jämn och stadig yta med texten "ON" på bränslepumpen uppåt.
- 6.9 Apparaten ska alltid stå på en stadig yta. **Ha alltid uppsikt över att slangen är riktad från köket och inte kommer i kontakt med lågan eller de heta avgaserna.** Undvik att slangen tvinnas eller utsätts för nötning. Bränsleflaskan ska vara utom räckhåll för kökets värme.
- 6.10 Öppna först avstängningsventilen (2). Öppna sedan reglervredet (5) genom att vrida detta ett halvt varv moturs och låt bränsle spruta ur munstycket ca 2 sekunder innan vredet åter stängs. Om fotogen eller diesel används, eller om väderleken är kall eller blåsig krävs mer bränsle till förvärmningen. Släpp då ut bränsle 4-6 sekunder.
- 6.11 Kontrollera att inte apparaten läcker vid avstängningsventilen, reglervredet, bränslepumpen, munstycket, bränsleröret eller slangen. **OM LÄCKER UPPTÄCKS, ANVÄND INTE APPARATEN!**
- 6.12 Tänd förvärmningsfiltren. **HÅLL INTE DITT HUVUD ELLER ANDRA DELAR AV DIN KROPP OMFÖR APPARATEN** Förvärmningsfiltren kommer nu att brinna ca 40 sek om industribensin/white gas används, längre tid om fotogen eller diesel används eller om omgivningstemperaturen är låg. När bränslet börjar ta slut i förvärmningsfiltren men innan lågan slocknat helt, ska reglervredet (5) sakta öppnas (genom att vrida moturs). Om apparaten brinner med gul och uppfammande låga har förvärmningen varit otillräcklig. Prova att vrida tillbaka reglervredet (5) något tills blå stabil låga erhålls och låt apparaten brinna på låg effekt en stund för att värmas upp. Går det trots detta inte att köra köket på full effekt, återstår bara att stänga av köket, låta det svalna helt för att sedan göra en ny och längre förvärmning med mer förvärmningsbränsle. Tänk också på att köket måste vara vindskyddat under förvärmningsproceduren.
- 6.13 Apparaten får endast användas i upprätt läge. Flytta aldrig en tänd apparat. En fladdrande låga kan uppstå innan apparaten blivit varm eller om den flyttats alltför häftigt.
- 6.14 Avstånd till brännbart material skall säkerställas. Avstånd till tak skall minst vara 1250 mm och vägg minst 1000 mm **OM INTE** kan brand uppstå!
- 6.15 Avstängning av apparaten och tömning av bränslesystemet. Vrid bränslebehållaren 180° så att texten "OFF" på bränslepumpen pekar uppåt. När lågan har slocknat och endast luft kommer igenom munstycket, stäng avstängningsventilen (2) (genom att vrida ratten maximalt medurs). Notera: Denna procedur kommer att ta ca. 1 minut. Då köket slocknat stäng även reglervredet (5). Låt apparaten svalna innan den monterar isär.
- 6.16 Återätänd **INTE** en varm apparat. Varna apparatdelar kan förånga det flytande bränslet och en stor flamma kan uppstå vid ett tändningsförsök.

7. UNDERHÅLL

- 7.1 Vid användning av flytande bränslen skall munstycket regelbundet rengöras för optimal och problemfri drift. Om apparaten används under en längre tid med flytande bränsle eller med dåligt bränsle behöver reglerspindeln (30) rengöras.
- 7.2 **Rengöring av munstycket.** Stäng avstängningsventilen (2) och reglervredet (5) och skruva av gasbehållaren (3) eller bränsleflaskan (20).
- 7.3 Munstycket (10) kan rengöras monterat eller om det blir avmonterat från apparaten.
- 7.4 Rengör munstycket genom att använda apparatens medlevererade rensnål (26).
- 7.5 Sätt i munstycket igen och skruva i det ordentligt så att tillslutningen blir tät. För extra säkerhet, använd Primus gasbehållare, kontrollera sammanfogningen med tvålvatten. Sammanfogningen är ej tillräckligt tät om bubblor uppstår.
- 7.6 **Rengöring av reglerspindel** Skruva av låsmuttern (31) med multiverktyget. Skruva ur spindeln. Rengör försiktigt, t.ex. med nageln, de tre spår som löper längs spindelns spets. Var uppmärksam på att spindelns gångor inte skadas. Säkerställ att spindelns O-ring är oskadad och kontrollera tätheten efter återmontering. För extra säkerhet, använd Primus gasbehållare, kontrollera sammanfogningen med tvålvatten. Sammanfogningen är ej tillräckligt tät om bubblor uppstår.
- 7.7 **Bränsle pump** Om inte pumpen trycksätter bränsleflaskan, sträck ut läderpackningen (25) något och smörj i den med Primus läderolja, (saliv eller annan mineralbaserad olja). Skruva av och dra ut pumpstången. Smörj in

- oljan i läderpackningen tills att den är mjuk och följsam. Om pumpen trots detta inte trycksätter bränsleflaskan, byt ut läderpackningen eller gå vidare till punkt 7.8.
- 7.8 Om inte pumpen kan behålla trycket i flaskan, rengör och kontrollera backventilen (29). Demontera backventilen och tillse att o-ringen är ren. Montera åter backventilen.
- 7.9 **Kontroll och underhåll** Se alltid till att tätningar och o-ringar är rätt placerade och i gott skick. Detta bör kontrolleras varje gång som apparaten monteras. Byt ut O-ringen om den är skadad eller utnött. Nya O-ringar finns att köpa hos din närmaste Primus återförsäljare.
- 7.10 **Multiverktyg** Används för demontering/montering av munstycke (10), låsmutter(31), slanginfästning(32), botten-skruv(33) och lås för förvärmningsfilt(34). Se fig (5)

8. RÅD OCH FELSÖKNING

- Primus gas engångsbehållare (propan/butan blandning) är det ideala bränslet för OmniLite Ti köket. Det är enkelt att använda, kräver ingen förvärmning, effektivt, rent (inget sot) och kräver nästan inget underhåll och service.
- Bra kvalitativt Industribensin eller PRIMUS PowerFuel, MSR® White Gas/Coleman® Fuel har en ren förbränning men inte så ren som engångsbehållargas och lämnar nästan inga beläggningar i bränslesystemet.
- Köket är försedt med bränslefilter på pumpens plastslang (35). Normalt kräver dessa filter ingen uppmärksamhet. Filtren kan dock bytas ut vid behov. Vid utbyte av filter vid slanginfästning (32) demonteras det gamla genom att spetsigt föremål (t.ex. en nål) sticks genom filtret så att detta kan bändas ut. Var aktsam om tätningstytorna. Läckaste enligt punkt 4.5.

Nedan finns viktigt information angående effekten på kök använda med gasbehållare och tips om hur man kan höja (bibehålla) effekten

Faktorerna som påverkar effekten är följande:

- Volymen av gas i behållaren
- Temperaturen på den omgivande luften
- Starttemperaturen på gasen

Effekthöjningstips vid kall väderlek:

- Fövärm gasbehållaren med Primus Heat Pad
- Fövärm gasbehållaren genom att placera den upprätt i en tum (2,5 cm) med varmt vatten
- Fövärm gasbehållaren med händer eller innanför jackan innan den ansluts till apparaten

Möjliga anledningar till nedsatt effekt

- För lågt tryck i flaska för flytande bränsle
- Felaktigt munstycke monterat
- Munstycke eller munstycksfilter igensatt
- Spindelspår igensatta (se punkt 7.5 ovan)
- Bränslefilter igensatta
- Apparaten ej skyddad mot vind

Möjliga anledningar till att apparaten brinner med instabil och gul låga

- Ej tillräcklig förvärmning.
- Felaktigt munstycke.
- Apparaten ej skyddad mot vind. Använd Primus Windscreen & Heatreflector eller placera köket på en skyddad plats
- För högt tryck i bränsleflaskan beroende på för mycket pumpning. Reglera ned effekten med reglervredet.
- Gammalt bränsle eller bränsle med dålig kvalitet används.

9. SERVICE OCH REPARATION

- 9.1 Om eventuella fel ej går att rätta till genom att följa dessa instruktioner ska apparaten återlämnas till din närmaste Primus återförsäljare.
- 9.2 Försök aldrig göra annat underhålls- eller reparationsarbete än vad som har föreskrivits.
- 9.3 Gör aldrig några ändringar på apparaten, eftersom den då kan bli farlig att använda.
- 9.4 Köket har blivit godkänt med en fabriksmonterad slang och får **INTE** bytas ut mot någon annan typ än originalslangen.

10. RESERVDLAR OCH TILLBEHÖR

- 10.1 Använd endast Primus original reservdelar och tillbehör. Var försiktig vid montering av reservdelar och tillbehör och undvik att ta i upphettade delar.
- 10.2 Utbytesbehållare: Använd endast Primus 2202, 2206 eller 2207 gasbehållare med propan/butan/isobutan gasblandning till denna apparat. Bränsleflaskor: Använd endast Primus bränsleflaskor 734120, 721950, 721960 eller 732530 med denna apparat.
- 10.3 Reservdelar finns hos din Primushandlare alternativt hos importören.
- 10.4 Om svårigheter uppstår att få tag på reservdelar eller tillbehör, sök kontakt med importören i ditt land se www.primusequipment.com



WICHTIG: Lesen Sie diese Anleitung aufmerksam durch, und machen Sie sich mit dem Gerät vertraut, bevor Sie es an die Gaskartusche oder die Flüssigbrennstoff-Flasche anschließen. Lesen Sie die Anleitung anschließend regelmäßig wieder durch, damit Sie den Inhalt nicht vergessen. Bewahren Sie diese Anleitung gut auf. Die Nichtbeachtung der vorliegenden Anleitung kann schwere Verletzungen und Tod zur Folge haben!

WARNUNG: Dieses Gerät verbraucht Sauerstoff und erzeugt Kohlendioxid. Zur Vermeidung von Lebensgefahr darf dieses Gerät NICHT in unbelüfteten Bereichen, in Gebäuden, in Zelten, in Fahrzeugen oder in sonstigen geschlossenen Räumen angezündet oder benutzt werden. NUR IM FREIEN BENUTZEN!

Decken Sie NIEMALS das Gerät (Gaskartusche oder Brennstoff-Flasche) mit Windschutzvorrichtungen, Steinen oder dergleichen ab, andernfalls kann es zu einer Überhitzung und Beschädigung des Gerätes und der Gaskartusche/ Brennstoff-Flasche kommen. Eine derartige Überhitzung der Gaskartusche oder der Brennstoff-Flasche ist lebensgefährlich.

BRENNSTOFFE UND LEISTUNG

Düse 36 (0,36 mm)

Primus-Einmalkartuschengas (Propan-Butan-Isobutane-Mischung) ist der ideale Brennstoff für das OmniLite Ti-Kocher. Er ist anwendungsfreundlich, erfordert kein Vorheizen, ist effizient, umweltfreundlich und sauber (kein Ruß) und benötigt fast keine Wartung und Instandhaltung.

Düse 32 (0,32 mm)

- Reinbenzin (PRIMUS PowerFuel, MSR, White Gas/Coleman, Fuel) verbrennt sauber und hinterläßt fast keine Ablagerungen im Brennstoffsystem.
Fahrzeugbenzin nur in Ausnahmefällen verwenden, da es gesundheitsgefährdende Zusätze enthält und außerdem Ablagerungen im Brennstoffsystem hinterläßt.
Aus Gesundheitsgründen NIEMALS verbleites Benzin verwenden.

Düse 25 (0,25 mm)

- Petroleum ist weltweit verfügbar, verbrennt jedoch mit mehr Ruß, ist schwerer vorzuheizen und kann eine häufige Reinigung erforderlich machen.
Dieselkraftstoff kann verwendet werden, wenn kein anderer Brennstoff zur Verfügung steht. Dieselkraftstoff verbrennt mit rußender Flamme, erfordert eine lange Vorheizzeit und macht häufige Reinigung erforderlich.

1. EINFÜHRUNG

- 1.1 Dieses gasbetriebene Gerät ist ausschließlich für einen Betrieb mit Primus-Gaskartuschen 2202, 2206 und 2207 mit Propan-Butan-Gasgemisch oder Primus-Flüssigbrennstoff-Flaschen für Kocherbenzin (PRIMUS PowerFuel, MSR, White Gas/Coleman, Fuel), unverbleites Benzin, Petroleum und andere ähnliche Brennstoffe vorgesehen.
1.2 Es kann gefährlich sein, dieses Gasgerät an andere Gaskartuschen oder Flüssigbrennstoff-Flaschen anzuschließen. Dabei kann es zu Leckage kommen, die Personenschäden oder Tod verursachen kann.
1.3 Gasverbrauch: 130 g/h / 6300 Btu/h / ca. 1,8 kW bei 1 bar Druck.
1.4 Düsengröße: 0,36 mm für Primus-Gaskartuschen. Düsengröße: 0,32 mm für Kocherbenzin (PRIMUS PowerFuel, MSR, White Gas/Coleman, Fuel) und unverbleites Benzin. Düsengröße: 0,25 mm für Petroleum oder ähnliche Brennstoffe.
1.5 Dieses Gerät entspricht den Normen EN 521, CAN1-11.2-M79 und CSA B140.9.2-1975. Die CE-Kennzeichnung (EN 521) gilt nur bei Flüssiggasbetrieb.
1.6 Achten Sie ständig darauf, daß der Schlauch vom Gerät weggerichtet ist und weder mit der Flamme noch mit den heißen Abgasen in Berührung kommen kann. Den Schlauch nicht verdrehen und auch keiner Abnutzung aussetzen.

2. SICHERHEITSINFORMATIONEN

- 2.1 Vor dem Anschluß der Gaskartusche bzw. Flüssigbrennstoff-Flasche sicherstellen, daß die Dichtungen (1) des Gerätes und der Pumpe einwandfrei und vorschriftsmäßig eingebaut sind.
2.2 Das Gerät ist nur zur Anwendung im Freien vorgesehen. Es darf NICHT in unbelüfteten Bereichen, in Gebäuden, in Zelten, in Fahrzeugen oder in sonstigen geschlossenen Räumen angezündet oder benutzt werden, weil sonst Lebensgefahr besteht.
2.3 Das Gerät auf eine ebene Fläche stellen.
2.4 Darauf achten, daß sich kein brennbares Material in der Nähe des Gerätes befindet. Siehe Punkt 4.8.4 und 6.8.6.
2.5 Der Austausch bzw. Anschluß der Gaskartusche/ Flüssigbrennstoff-Flasche darf nur an einem sicheren Ort im Freien in ausreichendem Abstand von Zündquellen (offenen Flammen, Pilotflammen, Elektrokamine usw.) und anderen Personen erfolgen.
2.6 Im Falle einer Leckage am Gerät (Geruch von Gas, Benzin usw.) das Gerät sofort an eine gut belüftete Stelle im Freien in ausreichendem Abstand von Zündquellen bringen, an der die Undichtheit untersucht und behoben werden kann. Eine etwaige Kontrolle auf Gasleckage darf nur im Freien erfolgen. Niemals mit offener Flamme nach Lecks suchen, sondern Seifenwasser verwenden.
2.7 Niemals ein Gerät mit beschädigten oder verschlissenen

- Dichtungen oder ein leckendes, beschädigtes oder nicht einwandfrei funktionierendes Gerät benutzen.
2.8 Das Gerät während der Benutzung niemals unbeaufsichtigt lassen.
2.9 Niemals Töpfe trocken kochen lassen.

3. HANDHABUNG DES GERÄTES

- 3.1 Die heißen Teile des Gerätes während des Gebrauchs oder unmittelbar danach nicht berühren.
3.2 Aufbewahrung: bei Nichtgebrauch des Gerätes stets die Kartusche bzw. die Flüssigbrennstoff-Flasche vom Gerät abschrauben. Die Kartusche bzw. Flasche an einem sicheren Ort, an dem sich keine Wärmequellen befinden, aufbewahren.
3.3 Das Gerät nicht in unzulässiger Weise oder für den vorgesehenen Zweck benutzen.
3.4 Das Gerät vorsichtig behandeln und nicht fallenlassen.

4. MONTAGE UND BETRIEB DES GERÄTES MIT GASKARTUSCHE

- 4.1 Wenn eine Gaskartusche verwendet wird, muß das Brennstoffsystem unbedingt vollkommen frei von Flüssigbrennstoff sein, weil es andernfalls zu heftigem Auf lodern kommt (Anleitung zum Leeren des Systems unter Punkt 6.8.7.). Achten Sie auch darauf, daß die Düse 36 installiert ist.
4.2 Sicherstellen, daß das Absperrventil (2) und der Regler (5) vollständig geschlossen sind (bis zum Anschlag im Uhrzeigersinn).
4.3 Die Gaskartusche (3) beim Anschluß an das Ventil aufrecht halten.
4.4 Das Ventil gerade auf die Kartusche setzen (siehe Abb. 2).
4.5 Die Gaskartusche gerade halten, damit sich das Gewinde beim Anschluß nicht verkantet, und vorsichtig in das Ventil einschrauben, bis sie am O-Ring des Ventils anliegt. Achtung! Nur von Hand, d.h. ohne Werkzeug, anziehen. Bei übermäßigem Anziehen kann die Kartusche beschädigt werden.
4.6 Achten Sie darauf, daß eine vollständige Gasabdichtung besteht. Eine Überprüfung auf Gasdichtheit darf nur im Freien erfolgen. Niemals mit offener Flamme nach Lecks suchen. Verwenden Sie ausschließlich Seifenwasser. Das Seifenwasser an den Verbindungsstellen und Anschlüssen des Gerätes auftragen. Bei Leckage entstehen Blasen um den Leckagebereich herum. Falls Sie Zweifel haben oder Gas hören oder riechen, dürfen Sie das Gerät nicht anzünden. In diesem Fall die Gaskartusche wieder abschrauben und das Gerät beim Primus-Händler einliefern.
4.7 Die Beine (Topfstützen) (12) in ihre korrekte Position im Windschutz (11) drehen.
4.8 Das Gerät ist nun einsatzbereit.
4.9 Das Gerät stets auf einer stabilen Fläche betreiben. Unbedingt dafür sorgen, daß der Schlauch völlig gestreckt und vom Gerät weggerichtet ist. Die Gaskartusche von der Wärme des Gerätes fernhalten.
4.10 Zuerst das Absperrventil (2) und dann den Regler (5) entgegen dem Uhrzeigersinn drehen, und den Brenner (4) sofort anzünden.
4.11 Die Größe der Flamme durch Drehen des Reglers (5) oder Absperrventils (2) einstellen.
4.12 Das Gerät darf nur in aufrechter Position betrieben werden. Niemals das angezündete Gerät versetzen. Wenn das Gerät nicht genügend erhitzt ist oder zu schnell bewegt wird, kann es zum Auf lodern der Flamme kommen.
4.13 Nach dem Gebrauch zuerst das Absperrventil (2) schließen, und dann nach Erlöschen der Flamme auch den Regler (5) schließen.
4.14 Es muß ein ausreichender Abstand zu brennbarem Material sichergestellt werden. Der Abstand zur Decke und zur Wand muß mindestens 1250 mm betragen. Diese Mindestabstände unbedingt einhalten, ANDERNFALLS besteht FEUERGEFAHR!
5. AUSTAUSCH DER GASKARTUSCHE
5.1 Das Absperrventil (2) und den Regler (5) vollständig schließen. Überzeugen Sie sich davon, daß die Flamme erloschen ist und sich keine andere Flamme in der Nähe befindet. Das Gerät ins Freie an eine Stelle bringen, wo sich keine anderen Personen aufhalten. Die Kartusche vom Ventil abschrauben. Falls der O-Ring zur Abdichtung des Gerätes gerissen oder abgenutzt ist, muß er nun erneuert werden. Das Ventil gerade gegen das Kartuschengewinde halten, damit es sich nicht verkantet, und gemäß Abschnitt 4 nur von Hand, d.h. ohne Werkzeug, anziehen.
6. MONTAGE UND BETRIEB DES GERÄTES BEI VERWENDUNG VON FLÜSSIGBRENNSTOFF
6.1 Das Gerät wird mit drei Düsen geliefert. Die mit 36 gekennzeichnete Düse ist für Primus-Kartuschengas vorgesehen, die mit 32 gekennzeichnete Düse für Kocherbenzin sowie unverbleites Benzin und die mit 25 gekennzeichnete Düse für Petroleum, Diesel oder ähnliche Brennstoffe. Achten Sie darauf, daß die korrekte Düse benutzt wird.
6.2 Die Primus-Brennstoff-Flasche bis zur Fülllinie mit Flüssigbrennstoff füllen. Achtung! Niemals über die Fülllinie hinaus auffüllen!
6.3 Sicherstellen, daß das Absperrventil (2) und der Regler (5) vollständig geschlossen sind (Drehung bis zum Anschlag im Uhrzeigersinn).
6.4 Die Pumpe (21) in die Brennstoff-Flasche (20) schrauben. Den Schwenkanschluß der Pumpe vorsichtig in das Ventil einschrauben, bis er am O-Ring des Regelventils anliegt. Darauf achten, daß sich das Gewinde des Pumpenschwenkanschlusses nicht verkantet. Achtung! Nur von Hand, d.h. ohne Werkzeug anziehen. Bei übermäßigem Anziehen kann der Pumpenschwenkanschluß beschädigt werden.

- 6.6 Die Beine (Topfstützen) (12) in richtige Einbaulage im Windschutz (11) drehen.
6.7 Die Pumpe ca. 20 volle Hübe betätigen, mehr Hübe wenn der Brennstoffstand unter der Fülllinie der Brennstoff-Flasche steht.
6.8 Die Brennstoff-Flasche mit dem Text „EIN“ an der Brennstoff-Pumpe nach oben gerichtet auf eine ebene und stabile Fläche stellen.
6.9 Das Gerät stets auf einer stabilen Fläche betreiben. Sicherstellen, daß der Schlauch vom Gerät weggerichtet ist und nicht mit der Flamme oder den heißen Abgasen in Berührung kommen kann. Den Schlauch nicht verdrehen und auch keiner Abnutzung aussetzen. Die Brennstoff-Flasche von der Wärme des Gerätes fernhalten.
6.10 Zuerst das Absperrventil (2) öffnen. Dann den Drehgriff des Reglers (5) eine halbe Umdrehung entgegen dem Uhrzeigersinn drehen. Die Düse während ca. 2 Sekunden Brennstoff ausspritzen lassen und dann den Regler wieder schließen. Bei der Verwendung von Petroleum oder Diesel sowie bei kalter Witterung oder Wind erfordert die Vorheizung mehr Brennstoff – die Düse 4-6 Sekunden lang Brennstoff ausspritzen lassen.
6.11 Gerät und Ausrüstung auf etwaige Undichtheit prüfen: am Regelventil, an der Brennstoff-Pumpe, an der Düse, am Brennstoffschlauch bzw. an der Brennstoffleitung. WENN EINE UNDICHTHEIT VORLIEGT, DARF DAS GERÄT NICHT BENUTZT WERDEN!
6.12 Zünden Sie den Vorheizflitz an. NIEMALS DEN KOPF ODER ANDERE KÖRPERTEILE ÜBER DAS GERÄT HALTEN! Der Vorheizflitz brennt nun ca. 40 Sekunden bei Verwendung von Kocherbenzin/White Gas bzw. etwas länger bei Verwendung von Petroleum oder Diesel und auch bei niedriger Umgebungstemperatur. Wenn der Brennstoff im Vorheizflitz fast verbrannt ist, aber noch vor dem völligen Erlöschen der Flamme, den Regler-Drehgriff (5) langsam entgegen dem Uhrzeigersinn drehen. Wenn die Flamme nun gelb wird und flackert, ist das Gerät nicht ausreichend vorgeheizt. Versuchsweise den Regler (5) etwas zurückdrehen (im Uhrzeigersinn), bis eine stabile blaue Flamme erhalten wird, dann das Gerät zur Erhitzung eine Weile mit niedriger Heizleistung brennen lassen. Sollte danach trotzdem nicht die volle Heizleistung erreicht werden, muß das Gerät abgeschaltet werden und vollständig abkühlen. Danach den Startvorgang mit einer größeren Menge Vorheizbrennstoff und längerer Vorheizzeit. Wichtig! Während des Vorheizens muß das Gerät gegen Wind geschützt sein.
6.13 Das Gerät darf nur in völlig aufrechter Stellung betrieben und nach dem Anzünden nicht versetzt werden – sollte das Gerät nicht voll vorgeheizt sein oder zu schnell bewegt werden, kann die Flamme auf lodern.
6.14 Es muß ein ausreichender Abstand zu brennbarem Material sichergestellt werden. Der Abstand zur Decke und zur Wand muß mindestens 1250 mm betragen. Diese Mindestabstände unbedingt einhalten, ANDERNFALLS besteht FEUERGEFAHR!
6.15 Zum Abstellen des Gerätes und zum Leeren des Brennstoffsystems die Brennstoff-Flasche um 180° drehen, so daß der Text „AUS“ an der Brennstoff-Pumpe nach oben zeigt. Nachdem die Flamme erloschen ist und nur Luft durch die Düse strömt, das Absperrventil (2) schließen, indem der Drehgriff bis zum Anschlag im Uhrzeigersinn gedreht wird. Hinweis! Dieser Vorgang dauert ca. 1 Minute. Nachdem die Flamme völlig erloschen ist, muß auch der Regler (5) geschlossen werden. Vor dem Zerlegen das Gerät abkühlen lassen.
6.16 NIEMALS ein warmes Gerät erneut anzünden. An warmen Teile des Gerätes kann flüssiger Brennstoff verdampfen, wodurch beim erneuten Anzünden eine gefährlich große Flamme entstehen kann.
7. WARTUNG
7.1 Bei Verwendung von flüssigen Brennstoffen muß die Düse regelmäßig gereinigt werden, um eine optimale und problemlose Funktion zu gewährleisten. Wenn das Gerät längere Zeit mit flüssigem Brennstoff oder mit schlechtem Brennstoff betrieben wird, muß die Reglerspindel (30) gereinigt werden.
7.2 Reinigung der Düse
Das Absperrventil (2) und den Regler (5) vollständig schließen und die Kartusche (3) bzw. die Brennstoff-Flasche (20) abschrauben.
Die Düse (10) kann in eingebautem Zustand ebenso wie nach einem Ausbau aus dem Gerät gereinigt werden.
Die Düse mit der mitgelieferten Reinigungsnadel (26) des Gerätes reinigen.
Die Düse wieder einsetzen und fest anziehen, damit eine vollständige Abdichtung gewährleistet ist. Als zusätzliche Sicherheit eine Primus-Gaskartusche benutzen und die Dichtheit an den Verbindungsstellen mit Seifenwasser kontrollieren. Wenn Blasen auftreten, ist die Verbindung nicht dicht.
7.6 Reinigen der Reglerspindel
Die Sicherungsmutter (31) mit dem Multiwerkzeug abschrauben. Die Spindel herausschrauben. Die drei Nuten an der Spindelspitze vorsichtig, z.B. mit dem Fingernagel, reinigen. Das Gewinde der Spindel nicht beschädigen! Den O-Ring der Spindel auf einwandfreien Zustand prüfen und nach der Wiedermontage die Dichtheit kontrollieren. Als zusätzliche Sicherheit eine Primus-Gaskartusche benutzen und die Dichtheit an den Verbindungsstellen mit Seifenwasser kontrollieren. Wenn Blasen auftreten, ist die Verbindung nicht dicht.
7.7 Brennstoffpumpe
Falls die Pumpe keinen Druck in der Brennstoff-Flasche erzeugt, die Leder-Pumpendichtung (25) etwas dehnen und

mit Primus-Lederöl (Öl auf Speichel- oder Mineralbasis) ölen. Die Pumpenstange abschrauben und herausziehen. Die Lederdichtung mit Öl einreiben, bis das Leder weich und geschmeidig ist. Falls die Pumpe nun noch immer keinen Druck in der Brennstoff-Flasche erzeugt, die Lederdichtung erneuern oder zu Punkt 7.8 übergehen.

7.8 Wenn die Pumpe den Druck in der Brennstoff-Flasche nicht aufrechterhält, das Rückschlagventil (29) reinigen und überprüfen. Das Rückschlagventil abschrauben und den O-Ring reinigen. Danach das Rückschlagventil wieder einschrauben.

7.9 Kontrolle und Wartung

Stets darauf achten, daß alle Dichtungen und O-Ringe vorhanden sind, einwandfreien Zustand aufweisen und an der vorschriftsmäßigen Stelle eingebaut sind. Dies sollte bei jeder Montage des Gerätes kontrolliert werden. Beschädigte oder verschlissene O-Ringe erneuern – sie sind bei Ihrem Primus-Händler erhältlich.

7.10 Multiwerkzeug

Für Aus-/Einbau von Düse (10), Sicherungsmutter (31), Schlauchhalterung (32), Bodenschraube (33) und Halterung für Vorheizfilz (34). Siehe Abb. (5).

8. TIPS UND FEHLERSUCHE

Gas aus Primus-Einmalkartuschen (Propan-Butan-Gemisch) ist der ideale Brennstoff für den OmniLite Ti-Kocher. Die Kartuschen sind sehr benutzerfreundlich und benötigen normalerweise keine Vorheizung. Außerdem sind sie effizient und umweltfreundlich (kein Ruß) und benötigen fast keine Wartung und Pflege.

Hochwertiges Kocherbenzin (PRIMUS PowerFuel, MSR, White Gas/Coleman, Fuel) verbrennt sauber, allerdings nicht so sauber wie Kartuschengas, und hinterläßt fast keine Ablagerungen im Brennstoffsystem.

Das Gerät ist mit einem Brennstoff-Filter im Kunststoffschlauch (35) der Pumpe. Diese Filter sind im Normalfall wartungsfrei, können jedoch bei Bedarf erneuert werden. Zum Erneuern des Filters bei der Schlauchhalterung (32) einen spitzen Gegenstand (z.B. eine Nadel) soweit in das Filter einstecken, daß es sich heraushebeln läßt. Wichtig! Die Dichtflächen nicht beschädigen! Anschließend eine Leckprüfung gem. Pkt. 4.5 durchführen.

Nachstehend finden Sie wichtige Information bezüglich der Leistung der Geräte, die mit Gaskartuschen betrieben werden, und der Steigerung (Aufrechterhaltung) der Leistung bei Kälte.

Folgende Faktoren wirken sich auf die Heizleistung aus:

- Die Füllmenge in der Gaskartusche.
- Die Temperatur der umgebenden Luft.
- Die Anfangstemperatur des Flüssiggases.

Tips zur Leistungssteigerung bei Kälte:

- Die Gaskartusche zum Vorheizen in warmes Wasser (Füllhöhe 2,5 cm) stellen.
- Die Gaskartusche vor dem Anschließen an das Gerät mit den Händen vorwärmen oder in die Jacke stecken.

Mögliche Ursachen bei ungenügender Leistung

- Ungenügender Druck in der Brennstoff-Flasche.
- Falsche Düsengröße eingebaut.
- Düse oder Düsenfilter verstopft.
- Spindelnuten verschmutzt (s. Pkt. 7.5 oben).
- Brennstoff-Filter verschmutzt.
- Windschutz o.dgl. fehlt.

Mögliche Ursachen bei flackernder und gelber Flamme

- Ungenügendes Vorheizen.
- Falsche oder fehlerhafte Düse.
- Windschutz o.dgl. fehlt – Primus Windscreen & Heat reflector benutzen oder das Gerät an geschützter Stelle aufstellen.
- Zu hoher Druck in der Brennstoff-Flasche wegen übermäßiger Pumpenbetätigung. Die Leistung mit dem Regler-Drehgriff zurücknehmen.
- Der Brennstoff ist zu alt oder von schlechter Qualität.

9. SERVICE UND REPARATURARBEITEN

9.1 Wenn ein Fehler nicht anhand der Angaben in dieser Anleitung beseitigt werden kann, bitte das Gerät beim Primus-Händler einliefern.

9.2 Andere als die in dieser Anleitung beschriebenen Wartungs- oder Reparaturarbeiten sind aus Sicherheitsgründen unzulässig.

9.3 Jegliche Änderungen am Gerät sind aus Sicherheitsgründen unzulässig.

9.4 Das Gerät wurde mit einem werksmontierten Schlauch zugelassen. Andere Schlauchtypen als die Originalausführung sind NICHT zugelassen!

10. ERSATZTEILE UND ZUBEHÖR

10.1 Grundsätzlich sind NUR Original-Ersatzteile und -Zubehör von Primus zugelassen. Bei der Montage von Ersatz- und Zubehörteilen ist Vorsicht geboten. Keine heißen Teile berühren.

10.2 Austausch-Kartuschen: Es sind nur die Primus-Gaskartuschen 2202, 2206 und 2207 mit Propan-Butan-Isobutan-Gemisch zugelassen.

Austausch-Brennstoff-Flaschen: Es sind nur die Primus-Brennstoff-Flaschen 734120, 721150, 721160 und 732530 zugelassen.

10.3 Ersatzteile erhalten Sie bei Ihrem Primus-Händler oder beim Importeur.

10.4 Bei Schwierigkeiten mit der Beschaffung von Ersatzteilen oder Zubehör bitte den Importeur im jeweiligen Land (siehe www.primusequipment.com) verständigen.



IMPORTANT: Lire attentivement cette notice avant de raccorder l'appareil sur la cartouche de gaz ou la bouteille de carburant. Relire ensuite régulièrement la notice afin de bien garder en mémoire le mode d'utilisation de l'appareil. Le non-respect de ces recommandations peut être à l'origine d'accidents graves ou même mortels!

ATTENTION: Ce réchaud consomme de l'oxygène et rejette du dioxyde de carbone.

Il ne faut donc PAS l'utiliser ou l'allumer dans un espace non ventilé tel qu'un local clos, une tente, un véhicule, etc., au risque sinon de mettre des vies en danger. **EXCLUSIVEMENT POUR UTILISATION EN PLEIN AIR!**

Ne **JAMAIS** recouvrir le réchaud, la cartouche de gaz ou la bouteille de carburant avec un pare-vent, des pierres ou autres, susceptibles de provoquer un échauffement ou de les endommager. Une cartouche de gaz ou une bouteille de carburant soumise à un tel échauffement peut représenter un danger mortel.

CARBURANTS ET PERFORMANCES

Injecteur 36 (0,36 mm)

- Le gaz en cartouche jetable Primus (mélange de propane et de butane et de isobutane) est le combustible idéal pour le réchaud OmniLite Ti. Facile à utiliser, il ne nécessite normalement aucun préchauffage, a une bonne efficacité, est propre (pas de suie) et n'oblige pratiquement à aucun entretien.

Injecteur 32 (0,32 mm)

- La combustion de l'essence pour usage domestique de bonne qualité est propre et ne salit pratiquement pas le circuit de carburant.
- L'essence pour moteurs à combustion interne ne doit être utilisée qu'exceptionnellement, car elle contient des additifs nocifs et qui laissent en outre une plus grande quantité de dépôts dans le circuit de carburant.
- Ne pas utiliser d'essence contenant du plomb. Cela est en effet déconseillé pour la santé.

Injecteur 25 (0,25 mm)

- Le pétrole est disponible partout dans le monde, mais brûle en formant plus de suie. Il présente en outre certaines difficultés de préchauffage et peut obliger à des nettoyages plus fréquents.
- Le gazole peut être utilisé lorsque les autres carburants font défaut. Il produit beaucoup de suie en brûlant, son préchauffage est long et il exige également des nettoyages réguliers.

1. GÉNÉRALITÉS

1.1 Cet appareil à gaz est exclusivement prévu pour une utilisation avec cartouches de gaz Primus 2202, 2206 ou 2207 remplies d'un mélange de propane et de butane et de isobutane ou avec bouteilles Primus contenant de l'essence pour usage domestique (PRIMUS PowerFuel, MSR® White Gas/Coleman® Fuel), de l'essence sans plomb, du pétrole ou autres carburants similaires.

1.2 Il peut être dangereux d'essayer de raccorder cet appareil sur d'autres types de cartouches de gaz ou de bouteilles de carburants divers. Cela peut entraîner des fuites susceptibles de provoquer des accidents, éventuellement mortels.

1.3 Consommation de gaz: 130 g/h, env. 1,8 kW sous une pression de 1 bar. (Canada : gaz 8733 Btu/h, Combustibles liquides 6250 Btu/h)

1.4 Diamètre d'injecteur: 0,36 mm pour cartouches de gaz jetables Primus, 0,32 mm pour essence à usage domestique (PRIMUS PowerFuel, MSR® White Gas/Coleman® Fuel) et essence sans plomb ou 0,25 mm pour pétrole et autres carburants similaires.

1.5 Cet appareil à gaz est conforme aux normes 221.72-2019/CSA 11.2-2019. Le label CE (EN 521) se limite au fonctionnement au gaz liquéfié.

1.6 **Veiller à ce que le flexible soit orienté à l'opposé du réchaud et ne puisse entrer en contact avec la flamme ou les gaz d'échappement chauds.** Eviter par ailleurs de le tortiller ou de l'user par frottement.

1.7

1.8

1.9

1.10

1.11

1.12

1.13

station à l'extérieur. Il ne faut donc PAS l'utiliser ou l'allumer dans un espace non ventilé tel qu'un local clos, une tente, un véhicule, etc., au risque sinon de mettre des vies en danger.

2.3 Poser l'appareil sur un support plat.

2.4 Veiller à ce qu'il n'y ait pas de matériaux combustibles à proximité, comme cela est spécifié en 4.8.4 et 6.8.6.

2.5 Le remplacement ou le raccordement de la cartouche de gaz doit s'effectuer dans un endroit sûr, à l'extérieur, en évitant la proximité de flammes, de veilleuses, de radiateurs électriques ou autres sources de chaleur. Tenir en outre les spectateurs éventuels à distance.

2.6 En cas de fuite en provenance de l'appareil (odeur de gaz, d'essence, etc.), placer immédiatement celui-ci dans un endroit bien ventilé, à l'extérieur, loin de toute flamme ou autre, où il soit possible de rechercher la fuite et de la stopper. Le contrôle des fuites de gaz doit s'effectuer exclusivement en plein air. Ne jamais utiliser de flamme nue, mais uniquement de l'eau savonneuse.

2.7 Ne jamais utiliser un appareil dont les joints d'étanchéité sont endommagés ou usés, ou qui fuit, est en mauvais état ou fonctionne mal.

2.8 Ne jamais laisser sans surveillance un appareil allumé.

2.9 Veiller à ne pas brûler les récipients de cuisson en les laissant sur le feu sans surveillance.

2.10 La température de stockage et de fonctionnement en toute sécurité est de 50 °C (122 °F) maximum.

3. MANIPULATION DE L'APPAREIL

3.1 Ne pas toucher les parties chaudes de l'appareil en cours d'utilisation ou aussitôt après.

3.2 **Stockage:** Dévisser la cartouche de gaz ou la bouteille de carburant lorsque l'appareil n'est pas utilisé. Stocker la cartouche de gaz dans un endroit sûr, sec, éloigné de toute source de chaleur. Utiliser correctement l'appareil, et uniquement pour l'usage pour lequel il est prévu.

3.3 Manipuler l'appareil avec précaution et éviter de le laisser tomber.

4. MONTAGE ET UTILISATION DE L'APPAREIL AVEC CARTOUCHE DE GAZ

4.1 **Il est absolument essentiel que le circuit de carburant soit entièrement vide avant d'utiliser le gaz. Une flamme incontrôlée risque sinon de se produire (vidange du circuit de carburant: voir 6.8.7). Contrôler également que l'appareil est équipé d'un injecteur 36.**

4.2 Contrôler que la valve de fermeture (2) et le bouton de réglage (5) sont entièrement fermés (tourner à fond dans le sens des aiguilles d'une montre).

4.3 Tenir la cartouche de gaz (3) en position verticale pour la raccorder sur la valve.

4.4 Placer la valve directement sur la cartouche (voir fig. 2).

4.5 Visser avec précaution la cartouche de gaz dans la valve, jusqu'à ce qu'elle entre en contact avec le joint torique de la valve. Veiller à ne pas visser de travers. **Nota: La cartouche de gaz doit être uniquement vissée à la main. Un serrage excessif risquerait en effet de l'endommager.**

4.6 Contrôler que l'étanchéité est totale entre la cartouche et l'appareil. Ce contrôle doit s'effectuer exclusivement à l'extérieur. Ne jamais utiliser de flamme nue, mais uniquement de l'eau savonneuse badigeonnée au niveau des raccords. En cas de fuite, des bulles permettent alors de la localiser. S'il y a des raisons de suspecter une fuite ou en cas d'odeur de gaz, ne pas allumer l'appareil.

4.7 Faire tourner les pieds (supportant le récipient de cuisson) (12) dans leur position correcte à l'intérieur du pare-vent (11).

4.8 Le réchaud est alors prêt à utiliser.

4.9 L'appareil doit toujours reposer sur une surface stable. Le flexible doit être aussi rectiligne que possible et orienté à l'opposé du réchaud. La cartouche de gaz doit être à distance suffisante de la chaleur dégagée par le réchaud.

4.10 Tourner d'abord la valve de fermeture (2), puis le bouton de réglage (5) dans le sens contraire des aiguilles d'une montre (2) et allumer aussitôt le brûleur (4).

4.11 Régler la flamme avec le bouton (5) ou la valve de fermeture (2).

4.12 L'appareil ne doit fonctionner qu'en position verticale. Ne jamais le déplacer lorsqu'il est allumé. Avant que l'appareil soit chaud ou si on le dé-

place, il peut arriver que la flamme vacille.

- 4.13 Après utilisation, fermer d'abord la valve (2), puis le bouton de réglage (5) lorsque la flamme s'est éteinte.
- 4.14 Respecter une distance de sécurité en présence de matériaux combustibles:
1 250 mm par rapport au plafond et à la cloison la plus proche. **SINON**, il peut y avoir risque d'incendie.

5. REMPLACEMENT DE LA CARTOUCHE DE GAZ

- 5.1 Fermer entièrement la valve de fermeture (2) et le bouton de réglage (5). Contrôler que l'appareil est éteint et qu'il n'y a aucune flamme nue à proximité. Le remplacement de la cartouche de gaz doit s'effectuer à l'extérieur, sans personne à proximité. Dévisser la cartouche et remplacer le joint torique assurant l'étanchéité vers le réchaud s'il est fissuré ou usé. Pour éviter de visser de travers, placer la valve bien droite sur le filetage de la cartouche et serrer uniquement à la main, comme indiqué en 4.

6. MONTAGE ET UTILISATION DE L'APPAREIL AVEC COMBUSTIBLES LIQUIDES

- 6.1 L'appareil est livré avec trois injecteurs, l'un marqué 36 pour une utilisation avec cartouche de gaz Primus, le second marqué 32 pour essence à usage domestique ou essence sans plomb, et le troisième marqué 25 pour pétrole, gazole et autres carburants similaires. Contrôler que le bon injecteur est en place.
- 6.2 Remplir la bouteille Primus de carburant jusqu'au repère. **NOTA:** Ne jamais dépasser le repère!
- 6.3 Contrôler que la valve de fermeture (2) et le bouton de réglage (5) sont entièrement fermés (tourner à fond dans le sens des aiguilles d'une montre).
- 6.4 Visser la pompe (21) sur la bouteille (20).
- 6.5 Visser avec précaution le raccord pivotant de la pompe dans la valve jusqu'à ce qu'il entre en contact avec le joint torique de la valve. Veiller à ne pas visser de travers. **NOTA: Le raccord pivotant doit être uniquement vissé à la main. Un serrage excessif risquerait en effet de l'endommager.**
- 6.6 Faire tourner les pieds (supportant le récipient de cuisson) (12) dans leur position correcte à l'intérieur du pare-vent (11).
- 6.7 Pomper environ 20 fois, éventuellement plus si le niveau est au-dessous du repère dans la bouteille de carburant.
- 6.8 Poser la bouteille sur une surface plane et stable, la mention "ON" figurant sur la pompe étant tournée vers le haut.
- 6.9 L'appareil doit toujours reposer sur une surface stable. **Veiller à ce que le flexible soit orienté à l'opposé du réchaud et ne puisse entrer en contact avec la flamme ou les gaz d'échappement chauds.** Éviter par ailleurs de le tortiller ou de l'user par frottement. La bouteille de carburant doit être à distance suffisante de la chaleur dégagée par le réchaud.
- 6.10 Ouvrir d'abord la valve de fermeture (2), puis le bouton de réglage (5) en le tournant d'un demi-tour dans le sens contraire des aiguilles d'une montre, afin que le carburant sorte par l'injecteur pendant environ 2 secondes, puis refermer le bouton. En cas d'utilisation de pétrole ou de gazole, ou s'il fait froid ou s'il y a du vent, il faut une plus grande quantité de carburant pour le préchauffage. Laisser dans ce cas couler pendant 4 - 6 secondes.
- 6.11 Contrôler l'absence de fuites au niveau de la valve de fermeture, du bouton de réglage, de la pompe, de l'injecteur, du conduit de carburant ou du flexible. **EN CAS DE FUITE, NE PAS UTILISER L'APPAREIL!**
- 6.12 Allumer le feutre de préchauffage. **VOTRE VISAGE OU UNE QUELCONQUE PARTIE DE VOTRE CORPS NE DOIT PAS SE TROUVER AU-DESSUS DE L'APPAREIL!** Le feutre brûle alors pendant environ 40 secondes (essence) ou plus longtemps (pétrole, gazole ou basse température ambiante). Lorsqu'il commence à ne plus y avoir de carburant sur le feutre, mais avant que la flamme s'éteigne entièrement, ouvrir lentement le bouton de réglage (5) en tournant dans le sens contraire des aiguilles d'une montre. Si la flamme est jaune et instable, cela indique une durée insuffisante du préchauffage. Ramener légèrement le bouton de réglage (5) en arrière jusqu'à obtenir une flamme bleue stable et laisser brûler un

instant pour élever la température. S'il n'est toujours pas possible de faire fonctionner le réchaud à sa pleine puissance, il ne reste plus alors qu'à l'éteindre et le laisser refroidir entièrement avant de procéder à un nouveau préchauffage, plus long et avec une plus grande quantité de carburant. Ne pas oublier non plus de protéger le réchaud du vent en cours de préchauffage.

- 6.13 L'appareil ne doit fonctionner qu'en position verticale. Ne jamais le déplacer lorsqu'il est allumé. Avant que l'appareil soit chaud ou si on le déplace, il peut arriver que la flamme vacille.
- 6.14 Respecter une distance de sécurité en présence de matériaux combustibles. La distance doit être d'au moins 1250 mm par rapport au plafond et à la cloison la plus proche. **SINON**, il peut y avoir risque d'incendie.
- 6.15 Arrêt de l'appareil et vidange du circuit de carburant. Tourner la bouteille de carburant de 180° de manière que la mention "OFF" figurant sur la pompe soit tournée vers le haut. Lorsque la flamme s'est éteinte et qu'il ne sort plus que de l'air par l'injecteur, fermer la valve de fermeture (2) en tournant le bouton de réglage à fond dans le sens des aiguilles d'une montre.
Nota: Cette opération demande environ 1 minute. Lorsque le réchaud est éteint, fermer également le bouton de réglage (5). Laisser ensuite l'appareil refroidir avant de le démonter.
- 6.16 **NE PAS** rallumer un appareil chaud. Cela pourrait provoquer la vaporisation du carburant liquide, avec pour conséquence de l'enflammer brutalement lors de l'allumage.

7. ENTRETIEN

- 7.1 En cas d'utilisation de carburants liquides, l'injecteur doit être régulièrement nettoyé. Si l'appareil est utilisé durant un temps assez long avec du carburant liquide ou de mauvaise qualité, l'axe du bouton de réglage (30) peut avoir besoin de nettoyage.
- 7.2 **Nettoyage de l'injecteur**
Fermer entièrement la valve de fermeture (2) et le bouton de réglage (5) et dévisser la cartouche de gaz (3) ou la bouteille de carburant (20).
- 7.3 L'injecteur (10) peut être nettoyé en place ou après démontage.
- 7.4 Nettoyer l'injecteur avec l'aiguille-curette (26) fournie avec l'appareil.
- 7.5 Remettre l'injecteur en place et le visser de manière à obtenir une parfaite étanchéité. Par mesure de sécurité supplémentaire, contrôler l'étanchéité avec une cartouche de gaz Primus et de l'eau savonneuse. S'il se forme des bulles, le serrage n'est pas suffisant.
- 7.6 **Nettoyage de l'axe du bouton de réglage**
Dévisser l'écrou de blocage (31) avec l'outil universel. Dévisser l'axe. Nettoyer avec précaution, avec l'ongle par exemple, les trois gorges au niveau de la pointe de l'axe. Attention de ne pas endommager les filets. Contrôler que le joint torique de l'axe est en bon état et contrôler l'étanchéité après remontage. Par mesure de sécurité supplémentaire, contrôler l'étanchéité avec une cartouche de gaz Primus et de l'eau savonneuse. S'il se forme des bulles, le serrage n'est pas suffisant.
- 7.7 **Pompe à carburant**
Si la pompe ne met pas le contenu de la bouteille sous pression, étirer légèrement le joint en cuir (25) et le lubrifier avec l'huile spéciale Primus pour joint en cuir (la salive ou une autre huile à base minérale fait également l'affaire). Dévisser et sortir la tige du piston de la pompe. Faire pénétrer l'huile dans le joint en cuir jusqu'à ce qu'il soit bien souple. Si, malgré cela, la pompe ne met toujours pas sous pression le contenu de la bouteille de carburant, remplacer le joint en cuir ou poursuivre en 7.8.
- 7.8 Si la pompe ne parvient pas à maintenir la pression à l'intérieur de la bouteille, nettoyer et contrôler le clapet antiretour (29). Démonter le clapet et contrôler que le joint torique est propre, puis revisser le clapet.
- 7.9 **Contrôle et entretien**
Contrôler systématiquement, à chaque montage de l'appareil, que les joints d'étanchéité et les joints toriques sont correctement positionnés et en bon état. Remplacer le joint torique s'il est endommagé ou usé. Des joints toriques de rechange peuvent être obtenus auprès du distributeur Primus.
- 7.10 **Outil universel**
Cet outil s'utilise pour le montage/démontage de

l'injecteur (10), de l'écrou de blocage (31), du raccord de flexible (32), de la vis inférieure (33) et du dispositif de verrouillage du feutre de préchauffage (34). Voir fig. (5).

8. CONSEILS ET RECHERCHE DES PANNES

- Le gaz en cartouche jetable Primus (mélange de propane et de butane) est le combustible idéal pour le réchaud OmniLite Ti. Facile à utiliser, il ne nécessite aucun préchauffage, a une bonne efficacité, est propre (pas de suie) et n'oblige pratiquement à aucun entretien.
- La combustion de l'essence pour usage domestique de bonne qualité ou du carburant PRIMUS PowerFuel, MSR® White Gas/Coleman® n'est pas aussi propre que celle du gaz en cartouche jetable, mais ne salit cependant pratiquement pas le circuit de carburant.
- Le réchaud est muni d'un filtre dans le flexible plastique (35). Ces filtres ne nécessitent normalement aucun entretien. Ils peuvent cependant être remplacés si nécessaire. Pour remplacer le filtre du raccord de flexible (32), le retirer en introduisant un objet pointu (une aiguille par exemple) permettant de l'extraire. Attention de ne pas endommager les surfaces d'étanchéité. Procéder ensuite à un essai d'étanchéité comme indiqué en 4.5.
- On trouvera ci-après des indications utiles quant à la puissance du réchaud en fonctionnement au gaz, ainsi que quelques conseils pour augmenter ou maintenir cette puissance.

Les facteurs influant sur la puissance de la flamme:

- Le volume de gaz dans la cartouche.
- La température de l'air ambiant.
- La température initiale du gaz.

Pour augmenter la puissance de la flamme par temps froid:

- Préchauffer la cartouche de gaz en la plaçant en position verticale dans 2,5 cm d'eau chaude.
- Préchauffer la cartouche de gaz avec les mains ou en la plaçant à l'intérieur d'un anorak avant de la raccorder.

Causes possibles d'une puissance insuffisante

- Pression insuffisante dans la bouteille de carburant
- Injecteur inapproprié
- Injecteur ou filtre encrassé
- Gorges encrassées dans l'axe du bouton de réglage (voir 7.5 ci-dessus)
- Filtres à carburant encrassés
- L'appareil n'est pas protégé du vent

Causes possibles d'une flamme jaune et instable

- Préchauffage insuffisant
- Injecteur inapproprié
- L'appareil n'est pas protégé du vent. Utiliser le pare-vent/réflécteur de chaleur combiné Primus ou choisir un emplacement protégé pour le réchaud.
- Pression trop élevée dans la bouteille de carburant en raison d'un pompage excessif. Réduire la puissance avec le bouton de réglage.
- Le carburant utilisé est trop vieux ou de mauvaise qualité.

9. SERVICE APRÈS-VENTE ET RÉPARATION

- 9.1 S'il n'est pas possible de remédier aux défauts éventuels en suivant les instructions de cette notice, rapporter l'appareil au distributeur Primus.
- 9.2 Ne jamais procéder à d'autres interventions ou réparations que celles expressément spécifiées.
- 9.3 Ne jamais essayer de modifier l'appareil, ce qui pourrait le rendre dangereux à utiliser.
- 9.4 Le réchaud est agréé avec flexible monté en usine. Il ne faut donc PAS utiliser un autre flexible que le modèle d'origine.

10. PIÈCES DE RECHANGE ET ACCESSOIRES

- 10.1 Utiliser exclusivement des pièces de rechange et accessoires Primus d'origine. Procéder avec précaution à leur montage et éviter de toucher les parties chaudes de l'appareil.
- 10.2 Cartouches de rechange: utiliser exclusivement pour cet appareil des cartouches de gaz Primus 2202, 2206 ou 2207 remplies d'un mélange de propane et de butane et de isobutane. Bouteilles de carburant: utiliser exclusivement avec cet appareil des bouteilles de carburant Primus 734120, 721950, 721960 ou 732530.
- 10.3 Vous trouverez les pièces de rechange nécessaires chez votre distributeur Primus ou l'importateur de la marque.
- 10.4 En cas de difficultés pour vous procurer pièces de rechange ou accessoires, veuillez contacter l'importateur pour votre pays (www.primusequipment.com).

TÄRKEÄÄ: Lue huolellisesti koko tämä käyttöohje ennen laitteen liittämistä kaasusäiliöön tai polttoainepulloon, ja lue sen jälkeen ohje aina silloin tällöin, jotta muistaisit laitteen toimintaan liittyvät asiat. Säilytä tämä käyttöohje vastaista tarvetta varten: **Tämän ohjeen laiminlyön-nistä saattaa seurata vakavia henkilö-vahinkoja ja hengenvaara!**

VAROITUS: Tämä laite kuluttaa happea ja tuottaa hiilidioksidia (häkkää). Hengenvaaran välttämiseksi ÄLÄ käytä tai sytä tätä laitetta tuuletamattomissa tiloissa, sisällä, teltassa, ajoneuvossa tai muussa suljetussa tilassa. **VAIN ULKOKÄYTTÖÖN!**

ÄLÄ peitä keitintä (kaasusäiliötä tai polttoainepulloa) tuulisuojalla, kivillä tai muulla sellaisella, joka voisi aiheuttaa keittimen ja kaasusäiliön tai polttoainepullon ylikuumenemisen ja vaurioitumisen. Kaasusäiliöiden tai polttoainepullojen kuumeneminen tällä tavoin on hengenvaarallista.

POLTOAINEET JA TOIMINTA

Suutin 36 (0,36 mm)

- Primus-kaasu (propaani-butaaniseos) kertakäyttö-säiliössä on ihanteellinen polttoaine OmniLite Ti-keittimeen. Sitä on helppo käyttää, se ei vaadi esilämmitystä, se on tehokasta ja puhdasta (ei nokea), ja laite ei sitä käytettäessä vaadi juuri lainkaan kunnossapitoa ja huoltoa.

Suutin 32 (0,32 mm)

- Hyvälaatuinen puhdistusbensiini tai PRIMUS PowerFuel, MSR® White Gas/Coleman® fuel palavat puhtaasti eivätkä jätä juuri lainkaan karstaa polttoainejärjestelmään.
- Lyijytöntä moottoribensiiniä saa käyttää vain tilapäisesti, koska se sisältää lisäaineita, jotka ovat terveydelle haitallisia ja jättävät lisäksi karstaa polttoainejärjestelmään.
- Lyijyistä bensiiniä ei terveysvaarojen takia saa käyttää.

Suutin 25 (0,25 mm)

- Valopetrolia on saatavana kaikkialla maailmassa, mutta se palaa nokisemmalla liekillä, sen esilämmitys on myös hankalampaa, ja se voi vaatia säännöllistä puhdistusta.
- Dieselöljyä voi käyttää, jos mitään muuta polttoainetta ei ole saatavana. Tämä polttoaine palaa nopeavalla liekillä, sen esilämmitys vie pitkän ajan, ja se vaatii säännöllistä puhdistusta.

1. JOHDANTO

- Tämä kaasulaite on tarkoitettu ainoastaan Primus-kaasusäiliöille 2202, 2206 ja 2207, joissa on propani-butaanikaasuseosta tai Primus-polttoainepulloille, joissa on puhdistusbensiiniä (PRIMUS PowerFuel, MSR® White Gas/Coleman® Fuel), lyijytöntä bensiiniä, valopetrolia tms. polttoainetta.
- Tämän kaasulaitteen liitäntäyritys muuntyypiseen kaasusäiliöön tai polttoainepulloon saattaa aiheuttaa vaaroja. Seurauksena voi olla vuotoja, jotka puolestaan voivat aiheuttaa henkilövahinkoja tai hengenvaaran.
- Kaasunkulutus: 130 g/h / 6300 Btu/h / n. 1,8 kW 1 baarin paineella.
- Suuttimen koko: 0,36 mm Primus-kertakäyttö-säiliöille. Suuttimen koko: 0,32 mm puhdistusbensiinille (MSR® White Gas/Coleman® Fuel) ja lyijytömälle bensiinille. Suuttimen koko: 0,25 mm valopetrolille ja vastaaville polttoaineille.
- Tämä kaasulaite täyttää seuraavien normien vaatimukset: EN 521, CAN1-11.2-M79 ja CSA B140.9.2-1975. CE-merkintä (EN 521) koskee vain nestekaasukäyttöä.
- Varmista aina, että letku suuntautuu keittimestä poispäin, eikä pääse kosketuksiin liekin tai kuumien pakokaasujen kanssa.** Estä letkun kiertyminen ja hankautuminen.

2. KÄYTTÖTURVALLISUUSOHJEITA

- Huolehdi siitä, että laitteen ja pumpun tiivisteet (1) ovat oikein asennetut ja hyvässä kunnossa ennen kaasusäiliön tai polttoainepullon liittämistä.

mistä.

- Tämä laite on tarkoitettu ainoastaan ulkokäyttöön. Hengenvaaran välttämiseksi ÄLÄ käytä tai sytä tätä laitetta tuuletamattomissa tiloissa, sisällä, teltassa, ajoneuvossa tai muussa suljetussa tilassa.
- Aseta kaasulaite tasaiselle pinnalle. Varmista, ettei mitään palavaa ole lähistöllä kohtien 4.8.6 ja 6.8.6 mukaisesti.
- Kaasusäiliön/polttoainepullon vaihto tai liittäminen on tehtävä turvallisessa paikassa, ulkosalla, kaukana syttymislähteistä kuten avotulesta, sytytysliekistä ja sähkölämmittimestä; lähistöllä ei saa olla myöskään muita ihmisiä.
- Jos laite vuotaa (kaasun, bensiinin tms. hajua), se on heti vietävä hyvin tuuletettavaan paikkaan ulos kauas syttymislähteistä, missä vuoto voidaan tarkastaa ja tukkia. Kaasuvuodon saa tarkastaa vain ulkoilmassa. Vuotoa EI saa etsiä avoleikin avulla. Käytä sen sijaan saippuavettä.
- Älä käytä laitetta, jonka tiivisteet ovat vaurioituneet tai loppuun kuluneet, äläkä myöskään vuotavaa, viallista tai huonosti toimivaa laitetta.
- Älä jätä sytytettyä laitetta ilman valvontaa.
- Huolehdi siitä, etteivät kattilat kiehu kuiviin.

3. LAITTEEN KÄSITTELY

- Älä koske laitteen kuumeneviin osiin käytön aikana tai heti sen jälkeen.
- SÄILYTYKS:** Kierrä kaasusäiliö/polttoainepullo aina irti laitteesta, kun sitä ei käytetä. Kaasusäiliö on säilytettävä kuivassa, turvallisessa paikassa, jonka läheisyydessä ei ole lämmönlähteitä.
- Älä käytä laitetta väärin äläkä tarkoituksiin, joihin sitä ei ole suunniteltu.
- Käsittele laitetta varovasti. Älä pudota sitä.

4. LAITTEEN KOKOAMINEN JA KÄYTTÖ KAASUSÄILIÖN KANSSA (kuvat 2 ja 4) On erittäin tärkeää, että polttoainejärjestelmä on tyhjennetty täysin nestemäisestä polttoaineesta ennen kaasun käyttöä. Muuten voi syntyä vaarallinen leimauttava liekki (järjestelmän tyhjennysohjeet ovat kohdassa 6.8.7). Varmista myös, että laitteeseen on asennettu suutin 36.

- Varmista, että sulkuventtiili (2) ja säätöventtiili (5) ovat kokonaan suljettuna (kierrettyinä kokonaan myötäpäivään).
- Pidä kaasusäiliötä (3) pystyasennossa venttiiliin liittäessä.
- Aseta venttiili suorassa kaasusäiliölle (kuva 2).
- Kierrä kaasusäiliö varovasti venttiiliin, kunnes se koskettaa venttiiliin O-rengasta. Varo, etteivät kiertete mene vinoon kaasusäiliötä liittäessä. **HUOM! Kaasusäiliön saa kiertää venttiiliin vain käsivoimin. Kaasusäiliö voi vioittua, jos se kierretään liian tiukalle.**
- Varmista, että kaasun liitäntä on täysin tiivis. Tiiviyden saa tarkastaa vain ulkoilmassa. Vuotoa ei saa etsiä avoleikin avulla. Käytä sen sijaan saippuavettä, jota sivellään kaasulaitteen liitoskohtiin ja liitäntöihin. Vuoto ilmenee kuplimisena vuotokohdan ympärillä. Jos on aihetta epäillä vuotoa tai jos tuntuu kaasun hajua, älä sytä kaasulaitetta. Kierrä kaasusäiliö irti ja palauta kaasulaite Primus-jälleenmyyjällesi.
- Käännä jalat (astiantuet) (12) oikeaan asentoonsa tuulisuojausessa (11).
- Keitin on nyt valmis käyttöön.
- Laitte pitää aina asettaa tukevalle alustalle. Varmista, että letku on suorana ja suunnattu poispäin keittimestä. Kaasusäiliön on oltava keittimen lämmön ulottumattomissa.
- Kierrä ensin sulkuventtiiliä (2) ja sitten säätöventtiiliä (5) vastapäivään ja sytä poltin (4) välittömästi.
- Säädä liekki säätöventtiilillä (5) tai sulkuventtiilillä (2).
- Laitetta saa käyttää ainoastaan pystyasennossa. Älä siirrä sytytettyä laitetta. Liekki voi hulmahdella ennen laitteen lämpiämistä, tai jos laitetta siirretään liian nopeasti.
- Sulje käytön jälkeen ensin sulkuventtiili (2), ja kun liekki on sammunut, sulje myös säätöventtiili (5).
- Etäisyys palavasta materiaalista pitää varmis-

taa. Etäisyyden katosta on oltava vähintään 1250 mm ja seinästä vähintään 1000 mm - **MUUTEN** on olemassa tulipalon vaara!

5. KAASUSÄILIÖN VAIHTAMINEN

- Sulje sulkuventtiili (2) ja säätöventtiili (5) kokonaan. Varmista, että liekki on sammunut ja ettei lähistöllä ole muuta avotulta. Kaasusäiliö on vaihdettava ulkoilmassa ja paikassa, jossa ei ole muita ihmisiä. Kierrä säiliö irti venttiilistä ja vaihda tiivisteenä oleva O-rengas, jos se on halkeillut tai kulunut. Vältä kierteteiden vinoon meneminen asettamalla venttiili suorassa kaasusäiliön kiertelle ja kierrä kaasusäiliötä ainoastaan käsin kohdan 4 ohjeiden mukaisesti.

6. LAITTEEN KOKOAMINEN JA KÄYTTÖ NESTEMÄISILLÄ POLTOAINEILLA (kuvat 3 ja 4)

- Laitteen mukana toimitetaan kolme suutinta. Merkinnällä 36 varustettu suutin on tarkoitettu Primus-kaasusäiliöille, merkinnällä 32 varustettu suutin puhdistusbensiinille ja lyijytömälle bensiinille ja merkinnällä 25 varustettu suutin valopetrolille, dieselöljylle tms. polttoaineelle. Varmista, että laitteeseen on asennettu oikea suutin.
- Täytä Primus-polttoainepullo nestemäisellä polttoaineella täyttörajaan asti. **HUOM!** Ei yli täyttörajan!
- Varmista, että sulkuventtiili (2) ja säätöventtiili (5) ovat kokonaan suljettuna (kierrettyinä kokonaan myötäpäivään).
- Kierrä pumpu (21) kiinni polttoainepulloon (20).
- Kierrä pumpun liitäntä varovasti venttiiliin, kunnes se koskettaa venttiiliin O-rengasta. Varo, etteivät kiertete mene vinoon kääntyvää liitäntää liittäessä. **HUOM! Kääntyvän liittimen saa kiertää venttiiliin vain käsivoimin. Kääntyvän liittin voi vioittua, jos se kierretään liian tiukalle.**
- Käännä jalat (astiantuet) (12) oikeaan asentoonsa tuulisuojausessa (11).
- Pumpkaa n. 2 kertaa, tai useammin, jos polttoaineen pinta polttoainepullossa on alle täyttörajan.
- Aseta polttoainepullo tasaiselle ja tukevalle alustalle siten, että polttoainepumpun teksti "ON" on ylöspäin.
- Laitte pitää aina asettaa tukevalle alustalle. **Varmista aina, että letku suuntautuu keittimestä poispäin, eikä pääse kosketuksiin liekin tai kuumien pakokaasujen kanssa.** Estä letkun kiertyminen ja hankautuminen. Polttoainepullon on oltava keittimen lämmön ulottumattomissa.
- Avaa ensin sulkuventtiili (2). Avaa sitten säätöventtiiliä (5) kiertämällä sitä puoli kierrosta vastapäivään ja anna polttoaineen ruiskuta suuttimesta n. 2 sekunnin ajan. Sulje sitten säätöventtiili. Jos käytetään valopetrolia tai dieselöljyä, tai jos sää on kylmä tai tuulinen, esilämmitykseen tarvitaan enemmän polttoainetta. Laske silloin polttoainetta 4-6 sekunnin ajan.
- Tarkasta laitteen tiivisyys sulkuventtiiliin, säätöventtiiliin, polttoainepumpun, suuttimen, polttoaineputken tai letkun kohdalta. **JOS VUOTOJA ILMENEE, ÄLÄ KÄYTÄ LAITETTA!**
- Sytä esilämmityshuopa. **ÄLÄ PIDÄ PÄÄTÄSI TAI MUUTA KEHONSA LAITTEEN YLÄPUOLELLA!** Esilämmityshuopa palaa nyt n. 40 s, jos käytetään puhdistusbensiiniä (white gas), kauemmin, jos käytetään valopetrolia tai dieselöljyä tai jos lämpötila on alhainen. Kun polttoaine alkaa loppua esilämmityshuovasta, kuitenkin ennen liekin sammumista, avaa säätöventtiiliä (5) hitaasti (kiertämällä vastapäivään). Jos laite palaa keltaisella ja hulmahtevalla liekillä, esilämmitys on ollut riittämätön. Kierrä säätöventtiiliä (5) hieman kiinnipäin, kunnes liekki on vakaa, ja anna laitteen palaa hetki pienellä teholla, jotta se lämpiäisi kunnolla. Ellei keitintä voi tästä huolimatta käyttää täydellä teholla, sulje venttiili, anna keittimen jäähtyä kokonaan ja aloita sitten esilämmitys uudelleen käyttäen enemmän esilämmityspolttoainetta. Muista myös, että keittimen pitää olla suojassa tuulelta esilämmityksen

aikana.

- 6.13 Laitetta saa käyttää ainoastaan pystyasennossa. Älä siirrä sytytettyä laitetta. Liekki voi hulumhdella ennen laitteen lämpiämistä, tai jos laitetta siirretään liian nopeasti.
- 6.14 Etäisyys palavasta materiaalista pitää varmistaa. Etäisyyden katosta on oltava vähintään 1250 mm ja seinästä vähintään 1000 mm - **MUUTEN** on olemassa tulipalon vaara!
- 6.15 Laitteen sammuttaminen ja polttoainejärjestelmän tyhjentäminen: Käännä polttoainesäiliötä 180°, niin että polttoainepumpun teksti "OFF" on ylöspäin. Kun liekki on sammunut ja suuttimesta tulee pelkkää ilmaa, sulje sulkuventtiili (2) (kiertämällä nuppi kokonaan myötäpäivään). Huom: Liekin sammuminen kestää n. 1 minuutin. Kun keitin on sammunut, sulje myös säätöventtiili (5). Anna laitteen jäähtyä ennen sen purkamista.
- 6.16 ÄLÄ sytytä laitetta uudelleen lämpimänä. Kuumat osat voivat höyrystää nestemäisen polttoaineen ja aiheuttaa suuren lieskan sytyttäessä.

7. KUNNOSSAPITO

- 7.1 Nestemäistä polttoainetta käytettäessä on suutin puhdistettava säännöllisesti, jotta laite toimisi mahdollisimman hyvin ja häiriöttömästi. Jos laitetta käytetään pitkän aikaa nestemäisellä polttoaineella tai huonolla polttoaineella, pitää säätökara (30) puhdistaa.
- 7.2 **Suuttimen puhdistus**
Sulje sulkuventtiili (2) ja säätöventtiili (5) kokonaan ja kierrä irti kaasusäiliö (3) tai polttoainepullo (20).
- 7.3 Suuttimen (10) voi puhdistaa paikalleen asennettuna tai irrotettuna.
- 7.4 Puhdistaa suutin laitteen mukana toimitetulla puhdistusneulalla (26).
- 7.5 Asenna suutin takaisin paikalleen ja kierrä se kunnolla kiinni, jotta liitoksesta tulisi tiivis. Varmuuden vuoksi käytä Primus-kaasusäiliötä (ulkona) ja tarkasta liitos saippuavedellä. Jos näkyy kuplia, ei liitos ole tarpeeksi tiivis.
- 7.6 **Säätöventtiilin puhdistus**
Avaa lukkomutteri (31) yleistyökallalla. Kierrä kara irti. Puhdistaa varovasti esim. neulalla kolme karan kärjen suuntaista uraa. Varo vaurioittamasta karan kiertäessä. Varmista, että karan O-rengas on vahingoittumaton, ja tarkasta tiiviyden asennuksen jälkeen. Varmuuden vuoksi käytä Primus-kaasusäiliötä (ulkona) ja tarkasta liitos saippuavedellä. Jos näkyy kuplia, ei liitos ole tarpeeksi tiivis.
- 7.7 **Polttoainepumppu**
Jos pumpulla ei saada polttoainepulloon painetta, venytä hieman nahkatiivistettä (25) ja voitele se Primus-nahkaöljyllä (syljellä tai muulla kivennäispohjaisella öljyllä). Kierrä irti pumpun tanko ja vedä se ulos. Hiero öljyä nahkatiivisteeseen, kunnes se on pehmeä ja notkea. Jos pumpulla ei vielääkään saada polttoainepulloon painetta, vaihda nahkatiiviste tai siirry kohtaan 7.8.
- 7.8 Jos pumppu ei pidä painetta polttoainepullossa, puhdistaa ja tarkasta vastaventtiili (29). Irrota vastaventtiili (29) ja varmista, että O-rengas on puhdas. Asenna vastaventtiili.
- 7.9 **Tarkastus ja kunnossapito**
Huolehdi siitä, että tiivisteet ja O-renkaat ovat oikein asennetut ja hyvässä kunnossa. Tämä pitää tarkastaa joka kerran kun laite kootaan. Vaihda O-rengas, jos se on vioittunut tai kuluutunut. Uusia O-renkaita saat lähimmältä Primus-jälleenmyyjältäsi.
- 7.10 **Yleistyökallu**
Käytetään suuttimen (10), lukkomutterin (31), letkuliittimessä (32), pohjaruuvien (33) ja esilämmityshuovan lukituksen (34) irrotukseen ja asennukseen. Katso kuva (5).

8. NEUVOJA JA VIANETSINTÄ

- Primus-kaasu (propani-butaaniseos) kertakäyttö-säiliössä on ihanteellinen polttoaine OmniLite Ti-keittimeen. Sitä on helppo käyttää, se ei vaadi esilämmitystä, se on tehokasta ja puhdasta (ei nokea), ja laite ei sitä käytettäessä vaadi juuri lainkaan kunnossapitoa ja huoltoa.
- Hyvälaatuinen teollisuusbensini tai PRIMUS

PowerFuel, MSR® White Gas/Coleman® -polttoaine palavat puhtaasti, vaikkeivät aivan säiliökaasun veroisesti, eivätkä jätä juuri lainkaan karstaa polttoainejärjestelmään.

- Keittimessä on polttoaineensuodatin pumpun muoviletkussa (35). Nämä suodattimet eivät normaalisti vaadi huomiota. Suodattimet voi kuitenkin vaihtaa tarvittaessa. Letkuliittimen (32) suodattimen vaihdon yhteydessä vanha suodatin irrotetaan työntämällä terävä esine (esim. neula) suodattimen läpi ja kampeamalla se irti. Varo vaurioittamasta tiivistyspintoja. Tarkasta tiiviyden kohdan 4.5 mukaisesti.
- Seuraavassa on kaasusäiliön kanssa käytetyn keittimen tehoa koskevia tärkeitä tietoja ja neuvoja tehon lisäämiseksi (ylläpitämiseksi).

Tehoon vaikuttavat seuraavat tekijät:

- Säiliössä olevan kaasun määrä
- Ympäristön ilman lämpötila
- Kaasun alkulämpötila

Keinoja tehon lisäämiseksi kylmällä säällä

- Esilämmitä kaasusäiliötä laittamalla se pystyyn asentaa, jossa on 2,5 cm lämmintä vettä.
- Esilämmitä kaasusäiliötä käsillä tai takin sisällä ennen laitteeseen liittämistä.

Mahdollisia syitä, jos laitteen teho heikkenee

- Liian pieni paine polttoainepullossa.
- Laitteessa on väärä suutin.
- Suutin tai suuttimen suodatin tukossa.
- Karan urat tukossa (katso kohta 7.5).
- Polttoaineensuodattimet tukossa.
- Laite ei ole suojaava tuulelta.

Mahdollisia syitä, jos laite palaa epävaikalla ja keltaisella liekillä

- Riittämätön esilämmitys.
- Laitteessa on väärä suutin.
- Laite ei ole suojaava tuulelta. Käytä Primuksen tuuli- ja lämpösuojusta tai sijoita keitin suojaaseen paikkaan.
- Liian suuri paine polttoainepullossa johtuen liian runsaasta pumppaamisesta. Pienennä tehoa säätöventtiilillä.
- Polttoaine on vanhaa tai huonolaatuista.

9. HUOLTO JA KORJAUKSET

- 9.1 Jos vikoja ei saada korjatuksi näitä ohjeita noudattamalla, vie laite lähimmälle Primus-jälleenmyyjällesi.
- 9.2 Älä yritä tehdä muita kuin ohjeiden mukaisia huolto- ja korjaustoimia.
- 9.3 Älä tee laitteeseen muutoksia, koska se voi silloin tulla vaaralliseksi käyttäjä.
- 9.4 Keitin on hyväksytty tehtäällä asennettuna letkulla varustettuna, joten letkua EI saa korvata muulla kuin alkuperäisellä letkulla.

10. VARAOSAT JA TARVIKKEET

- 10.1 Käytä ainoastaan alkuperäisiä Primus-varaosia ja tarvikkeita. Toimi varovasti varaosia ja tarvikkeita asennettaessa ja varo koskemasta kuumiin osiin.
- 10.2 Vaihotosäiliöt: Käytä tässä laitteessa ainoastaan Primus-kaasusäiliöitä 2202, 2206 ja 2207, joissa on propani-butaanikaasuseosta. Polttoainepullot: Käytä tässä laitteessa ainoastaan Primus-polttoainepulloja 734120, 721950, 721960 ja 732530.
- 10.3 Varaosia on saatavana Primus-jälleenmyyjälläsi tai maahantuojalla.
- 10.4 Jos varaosien tai tarvikkeiden saannissa on vaikeuksia, ota yhteys maahantuojaan, katso www.primusequipment.com.



VIKTIG: Les denne bruksanvisningen nøye før du kobler apparatet til gassbeholderen eller brenselflasken. Les deretter bruksanvisningen regelmessig og ta vare på den for senere bruk. **Dersom bruksanvisningen ikke følges, kan det medføre alvorlige personskader.**

ADVARSEL: Dette apparatet forbruker oksygen og produserer kullos (karbondioksid). Apparatet må ikke tennes eller brukes i rom uten ventilasjon, innendørs, i telt, kjøretøy eller andre lukkede steder da dette kan medføre livsfare.

KUN TIL UTENDØRS BRUK

Kokeapparatet (gassbeholderen eller brenselflasken) må ALDRI tildekkes på en slik måte at det kan forårsake overoppheting. Slik overoppheting av kokeapparatet, gassbeholderen/brenselflasken kan medføre skade på utstyr eller personer.

BRENSEL OG YTEEVNE

Munnstykke 36 (0,36 mm)

- Primus engangsbekholdergass (propan/butan/isobutanblanding) er det ideelle brenselet til OmniLite Ti. Det er enkelt å bruke, trenger vanligvis ingen forvarming, er effektivt, rent (ingen sot) og krever nesten ikke vedlikehold eller rengjøring.

Munnstykke 32 (0,32 mm)

- Industribensin av god kvalitet eller PRIMUS PowerFuel, MSR® White Gas/Coleman® Fuel har en ren forbrenning, men ikke så ren som engangsbekholdergass, og etterlater nesten ikke belegg i brenselssystemet.
- Blyfri bensin bør kun brukes unntaksvís, ettersom den inneholder tilsetninger som er helsefarlige og dessuten etterlater belegg i brenselssystemet.
- Av helsemessige grunner må ikke blyholdig bensin brukes.

Munnstykke 25

- Parafin er tilgjengelig over hele verden, men brenner med mer sot, er vanskeligere å forvarme og kan kreve oftere rengjøring.
- Dieselmotstoff kan brukes dersom ikke annet brensel er tilgjengelig. Diesel forårsaker svært mye sot, tar lang tid å forvarme og krever oftere rengjøring.

1. INNLEDNING

- 1.1 Dette gassapparatet skal kun brukes med Primus gassbeholder 2202, 2206 og 2207 med propan/butanblanding eller Primus brenselflaske til industribensin (PRIMUS PowerFuel, MSR® White Gas/Coleman® Fuel), blyfri bensin, parafin og tilsvarende brensel.
- 1.2 Det kan være farlig å forsøke å kople dette gassapparatet til andre typer gassbeholdere eller brenselflasker. Dette kan medføre lekkasjer som kan forårsake personskade eller død.
- 1.3 Gassforbruk: 130 g/t / 6300 Btu/t / ca. 1,8 kW ved trykk på 1 bar.
- 1.4 Munnstykets størrelse: 0,36 mm, 64895 for Primus engangsbekholder, Munnstykets størrelse: 0,32 mm for industribensin (PRIMUS PowerFuel, MSR® White Gas/Coleman® Fuel) og blyfri bensin. Munnstykets størrelse: 0,25 mm for parafin eller tilsvarende brensel.
- 1.5 Dette apparatet oppfyller kravene i henhold til EN 521, CAN1-11.2-M79 og CSA B140.9.2-1975. CE-merkingen (EN 521) gjelder kun propan-/butandrift.
- 1.6 Påse at slangen alltid er vendt bort fra kokeapparatet og ikke kommer i kontakt med flammen eller de varme avgassene. Unngå at slangen tvinnes eller utsettes for slitasje.

2. SIKKERHETSINFORMASJON

- 2.1 Sørg for at apparatets og pumpens tetninger (1) er riktig plassert og i god stand før tilko-

- pling av gassbeholderen eller brenselflasken.
- 2.2 Dette apparatet må kun brukes utendørs. Apparatet må IKKE tennes eller brukes på steder uten ventilasjon, innendørs, i telt, kjøretøy eller andre lukkede steder da dette kan medføre livsfare.
- 2.3 Plasser apparatet på en jevn overflate.
- 2.4 Pass på at ingen brennbare materialer kommer i nærheten av apparatet, se punkt 4.8.4 og 6.8.6.
- 2.5 Tilkopling eller skifting av gassbeholderen/brenselflasken skal foregå på et sikkert sted utendørs. Apparatet må ikke komme nær andre personer eller tennkilder som åpen flamme, pilotflamme og elektrisk oven.
- 2.6 Dersom apparatet lekker (gass-/bensinlukt etc.), må det straks plasseres på et godt ventilert sted utendørs og unna tennkilder, der lekkasjen kan undersøkes og stoppes. Kontroll av gasslekkasje må kun skje utendørs. Bruk aldri åpen flamme til å undersøke med, bruk såpevann eller egnet lekkasjespray.
- 2.7 Bruk aldri et apparat med skadede eller slitte tetninger, eller et apparat som lekker, er skadet eller ikke fungerer som det skal.
- 2.8 La aldri et tent apparat være uten tilsyn.
- 2.9 Pass på at kasseroller ikke kokes tørre.

3. HÅNDTERING AV APPARATET

- 3.1 Berør ikke apparates varme deler under eller like etter bruk.
- 3.2 **Oppbevaring:** Skru gassbeholderen/brenselflasken fra apparatet når det ikke er i bruk. Gassbeholderen skal oppbevares på et tørt, sikkert sted unna varmekilder.
- 3.3 Bruk ikke apparatet feilaktig eller til andre formål enn det er tiltenkt.
- 3.4 Hånder apparatet forsiktig, slik at du ikke skader det.

4. MONTERING OG BRUK AV APPARAT MED GASSBEHOLDER

- 4.1 **Det er meget viktig at brenselssystemet ikke inneholder brensel når det brukes gass. Hvis ikke, kan en farlig oppflamment oppstå (veiledning for tømning av brenselssystemet finnes under punkt 6.8.7) Pass også på at munnstykke 36 er installert.**
- 4.2 Pass på at avstengingsventilen (2) og justeringsbryteren (5) er helt stengt (ved å vri helt rundt med urviseren).
- 4.3 Hold gassbeholderen (3) loddrett når du kople den til ventilen.
- 4.4 Plasser ventilen rett på gassbeholderen (se fig 2).
- 4.5 Skru gassbeholderen forsiktig inn i ventilen til den møter ventilens O-ring. Sørg for at du skru gassbeholderen riktig på gjengen. **MERK! Gassbeholderen må kun skrues på ventilen med håndkraft. For hard stramming kan forårsake skader på gassbeholderen.**
- 4.6 Sørg for at det er fullstendig tetning for gassen. Gassen må kun kontrolleres utendørs. Gasslekkasje må aldri kontrolleres med åpen flamme. Bruk såpevann eller lekkasjespray som påføres apparatets sammenføyninger og tilkoplinger. Ved lekkasje oppstår det bobler rundt lekkasjeområdet. Dersom du tror det er lekkasje, eller dersom det lukter gass, må apparatet ikke tennes. Skru av beholderen og lever apparatet til Primus-forhandleren.
- 4.7 Drei bena (kasserollestøttene) (12) til riktig stilling i vindskjermen (11).
- 4.8 Kokeapparatet er nå klart til bruk.
- 4.9 Apparatet må alltid plasseres på en stødig overflate. Pass på at slangen er rullet helt ut og at den er vendt bort fra kokeapparatet. Gassbeholderen må holdes unna gassapparatets varme.
- 4.10 Vri først avstengingsventilen (2) og deretter justeringsbryteren (5) mot urviseren og tenn brenneren (4) umiddelbart.
- 4.11 Juster flammen ved å vri justeringsbryteren (5) eller avstengingsventilen (2).

- 4.12 Apparatet må kun brukes i loddrett stilling. Flytt aldri et tent apparat. Hvis apparatet ikke er helt varmt eller hvis det flyttes uforsiktig, kan det flamme opp.
- 4.13 Etter bruk må du først stenge avstengingsventilen (2), og når flammen er slukket må du også stenge justeringsbryteren (5).
- 4.14 Pass på at det er god avstand til brennbare materialer, minst 1250 mm.

5. SKIFTING AV GASSBEHOLDER

- 5.1 Steng avstengingsventilen (2) og justeringsbryteren (5) helt. Pass på at flammen er slukket og at det ikke er annen åpen ild i nærheten. Gassbeholderen skal skiftes utendørs unna andre personer. Skru beholderen fra ventilen og skift O-ringen hvis den er skadet eller slitt. Unngå skjev montering ved å plassere ventilen rett på gassbeholderens gjenge og skru den igjen med håndkraft i henhold til punkt 4.

6. MONTERING OG BRUK AV APPARAT MED FLYTENDE BRENSSEL

- 6.1 Apparatet leveres med tre munnstykker. Munnstykket merket 36 er beregnet på Primus gassbeholder, munnstykket merket 32 er beregnet på industribensin og blyfri bensin og munnstykket merket 25 er beregnet på parafin, diesel eller tilsvarende brensel. Pass på at munnstykket er installert.
- 6.2 Fyll en Primus brenselflaske med flytende brensel til påfyllingsstreken. **MERK!** Aldri over påfyllingsstreken!
- 6.3 Pass på at avstengingsventilen (2) og justeringsbryteren (5) er helt stengt (ved å vri helt rundt med urviseren).
- 6.4 Skru pumpen (21) på brenselflasken (20).
- 6.5 Skru forsiktig pumpens svivelkopling inn i ventilen til den møter ventilens O-ring. Pass på at du ikke monterer svivelkoplingen skjevt på gjengen. **MERK!** Svivelkoplingen må kun skrues på ventilen med håndkraft. Skru ikke for hardt, da kan svivelkoplingen bli skadet.
- 6.6 Drei bena (kasserollestøttene) (12) til riktig stilling i vindskjermen (11).
- 6.7 Pump 15-20 pumpeslag, mer hvis brenselnivået er under påfyllingsstreken i brenselflasken.
- 6.8 Plasser brenselflasken på en jevn og stødig overflate. "ON"-merket på brenselflasken skal vende opp.
- 6.9 Apparatet skal alltid stå på en stødig overflate. Påse at slangen alltid er vendt bort fra kokeapparatet og ikke kommer i kontakt med flammen eller de varme avgassene. Unngå at slangen tvinnes eller utsettes for slitasje. Brenselflasken skal holdes unna apparatets varme.
- 6.10 Åpne først avstengingsventilen (2). Åpne deretter justeringsbryteren (5) ved å vri den en halv gang mot urviseren, og slipp ut brensel fra munnstykket i ca. 2 sekunder før bryteren stenges. Ved bruk av parafin eller diesel, eller hvis det er kaldt eller vind, kreves det mer brensel til forvarmingen. Slipp da ut brensel i 4-6 sekunder.
- 6.11 Kontroller at apparatet ikke lekker ved avstengingsventilen, justeringsbryteren, brensel-pumpen, munnstykket, brenselrøret eller slangen. **BRUK IKKE APPARATET HVIS LEKKASJE OPPDAGES!**
- 6.12 Tenn forvarmingsfiltren. **HOLD IKKE HODET ELLER ANDRE KROPPSDELER OVER APPARATET!** Forvarmingsfiltren vil nå brenne i ca. 40 sekunder hvis det brukes industribensin/white gas, noe lenger hvis det brukes parafin eller diesel eller hvis den omgivende temperaturen er lav. Når brenselet begynner å ta slutt i forvarmingsfiltren, men før flammen er slukket helt, skal justeringsbryteren (5) åpnes sakte (ved å vri mot urviseren). Hvis apparatet brenner med en gul og ustabil flamme, har du ikke forvarmet apparatet lenge nok. Prøv å vri tilbake justeringsbryteren (5) noe til det oppnås en blå, stabil flamme og la apparatet brenne på lav effekt en stund, slik at det varmes opp. Dersom kokeapparatet fremdeles

ikke kan brukes på full effekt, må du slå av kokeapparatet, la det avkjøles helt og så forvarme apparatet på nytt i lenger tid og med mer forvarmingsbrensel. Husk også at kokeapparatet må være skjermet mot vind under forvarmingen.

- 6.13 Apparatet må kun brukes i loddrett stilling. Flytt aldri et tent apparat. Hvis apparatet ikke er helt varmt eller hvis det flyttes uforsiktig, kan det flamme opp.
- 6.14 Pass på at det er god avstand til brennbare materialer, minst 1250 mm.
- 6.15 For å slå av apparatet og tømme brensel-systemet, vri brenselbeholderen 180° slik at "OFF"-merket på pumpen vender opp. Når flammen er slukket og kun luft kommer gjennom munnstykket, må avstengingsventilen (2) stenges (ved å vri bryteren helt rundt med urviseren). **MERK:** Dette vil ta ca. 1 min. Når kokeapparatet er slukket, må du også stenge justeringsbryteren (5). La apparatet avkjøles før demontering.
- 6.16 Tenn **IKKE** et varmt apparat på nytt. Varme deler kan fordampe det flytende brenselet og en stor flamme kan oppstå ved nytt tenningsforsøk.

7. VEDLIKEHOLD

- 7.1 Ved bruk av flytende brensel må munnstykket rengjøres regelmessig for å oppnå optimal og problemfri drift. Hvis apparatet brukes med flytende brensel i lang tid, eller ved bruk av dårlig brensel, må reguleringsspindelen (30) rengjøres.
- 7.2 **Rengjøring av munnstykket.** Steng avstengingsventilen (2) og justeringsbryteren (5) og skru av gassbeholderen (3) eller brenselflasken (20).
- 7.3 Munnstykket (10) kan rengjøres montert eller demontert fra apparatet.
- 7.4 Rengjør munnstykket ved hjelp av rensenålen (26) som medfølger.
- 7.5 Sett munnstykket på igjen og skru det helt fast slik at koplingen blir tett. For ekstra sikkerhet, bruk Primus gassbeholder og kontroller sammenføyningen med såpevann eller lekkasjespray. Hvis det oppstår bobler er ikke sammenføyningen tett.
- 7.6 **Rengjøring av reguleringsspindelen** Skru av låsemutteren (31) med multiverk-tøyet. Skru ut spindelen. Rengjør forsiktig, for eksempel med neglen, de tre sporene som løper langs spindelens spiss. Pass på at spindelens gjenger ikke skades. Påse at spindelens O-ring er uskadet og kontroller tettheten etter at den er satt tilbake på plass. For ekstra sikkerhet, bruk Primus gassbeholder og kontroller sammenføyningen med såpevann. Hvis det oppstår bobler er ikke sammenføyningen tett.
- 7.7 **Brenselpumpe** Hvis pumpen ikke trykksetter brenselflasken, må lærpakningen (25) strekkes ut litt og smøres inn med Primus lærolje (saliva eller annen mineralbasert olje). Skru av og trekk ut pumpestangen. Smør oljen inn i lærpakningen til den blir myk og smidig. Hvis pumpen fremdeles ikke trykksetter brenselflasken, må du skifte lærpakningen eller gå videre til punkt 7.8.
- 7.8 Dersom pumpen ikke beholder trykket i flasken, må enveisventilen (29) rengjøres og kontrolleres. Monter enveisventilen og påse at O-ringen er ren. Sett enveisventilen tilbake på plass.
- 7.9 **Kontroll og vedlikehold** Pass alltid på at tetninger og O-ringer er riktig plassert og i god stand. Dette bør kontrolleres hver gang apparatet monteres. Skift O-ringen dersom den er skadet eller slitt. Nye O-ringer får du hos din nærmeste Primus-forhandler.
- 7.10 **Multiverktøy** Brukes for å demontere/montere munnstykke (10), låsemutter (31), slangefeste (32), bunn-skru (33) og lås for forvarmingsfilt (34). Se fig. (5).

8. RÅD OG FEILSØKING

- Primus engangsbeholdergass (propan/butan/isobutanblanding) er det ideelle brenselet for OmniLite Ti-apparatet. Det er enkelt å bruke, krever ingen forvarming, er effektivt, rent (ingen sot) og krever nesten ikke vedlikehold eller service.
- Industribensin av god kvalitet eller PRIMUS PowerFuel, MSR® White Gas/Coleman® Fuel har en ren forbrenning, men ikke så ren som engangsbeholdergass, og etterlater nesten ikke belegg i brenselssystemet. Kokeapparatet er utstyrt med brenselfilter på pumpens plastslange (35). Vanligvis krever ikke disse filterne noe vedlikehold. Filterne kan imidlertid skiftes ved behov. Ved skifte av filter ved slangefestet (32), demonteres det gamle ved at en spiss gjenstand (for eksempel en nål) stikkes gjennom filteret slik at det kan vippes ut. Vær forsiktig, slik at du ikke skader tetningsoverflaten. Kontroller for lekkasje i henhold til punkt 4.5.
- Nedenfor finner du viktig informasjon angående effekten på kokeapparatet med gassbeholder og tips om hvordan du kan øke (vedlikeholde) effekten.

Følgende faktorer påvirker effekten:

- Beholderens gassvolum.
- Lufttemperaturen.
- Gassens starttemperatur.

Tips for øking av effekten i kaldt vær:

- Forvarm gassbeholderen ved å sette den loddrett i 2,5 cm med varmt vann.
- Forvarm gassbeholderen med hendene eller hold den på innsiden av jakken før den koples til apparatet.

Mulige årsaker til nedsatt effekt:

- For lavt trykk i flasken for flytende brensel.
- Feil munnstykke er montert.
- Munnstykket eller munnstykkefilteret er blokkert.
- Spindelspor er blokkert (se punkt 7.5 ovenfor).
- Brenselfilteret er blokkert.
- Apparatet er ikke skjermet mot vind etc.

Mulige årsaker til at apparatet brenner med ustabil og gul flamme:

- Utilstrekkelig forvarming.
- Feil munnstykke er montert.
- Apparatet er ikke skjermet mot vind etc. Bruk Primus Windscreen & Heat Reflector eller plasser kokeapparatet på et skjermet sted.
- For høyt trykk i brenselflasken på grunn av for mye pumping. Reduser effekten med justeringsbryteren.
- Bruk av gammelt brensel eller brensel av dårlig kvalitet.

9. SERVICE OG REPARASJON

- 9.1 Hvis du ikke kan rette opp feilene ved å følge disse instruksjonene, må du returnere apparatet til nærmeste Primus-forhandler.
- 9.2 Utfør aldri annet vedlikehold eller reparasjon enn det som er foreskrevet, dette kan føre til at apparatet blir farlig å bruke.
- 9.3 Kokeapparatet er godkjent med en fabrikkmontert slange som IKKE må skiftes ut med en annen type enn originalslangen.

10. RESERVEDELER OG TILBEHØR

- 10.1 Bruk kun Primus originale reservedeler og tilbehør. Vær forsiktig når du monterer reservedeler og tilbehør, og unngå berøring av varme deler.
- 10.2 Utskiftingsbeholdere: Bruk kun Primus 2202, 2206, 2207 gassbeholdere med propan/butan/isobutanblanding til dette apparatet. Brenselflasker: Bruk kun Primus brenselflaske 734120, 721950, 721960 og 732530 til dette apparatet.
- 10.3 Reservedeler får du hos nærmeste Primus-forhandler eller hos importøren.
- 10.4 Hvis du har problemer med å få tak i reservedeler eller tilbehør, kontakt distributøren for ditt land, se: www.primusequipment.com



VIGTIGT: Denne brugsanvisning bedes studeret grundigt, inden apparatet sluttes til gasbeholderen eller brændselsflasken. Den skal derefter gennemlæses regelmæssigt for at genopfriske kendskabet til brug af apparatet. Gem brugsanvisningen til fremtidig brug: **Hvis instruktionerne i denne brugsanvisning ikke følges, er der fare for alvorlige personskader og dødsulykker!**

ADVARSEL: Dette apparat forbruger ilt og producerer kuldiioxid. Apparatet må IKKE anvendes eller tændes i et rum, som ikke er ventileret, indendørs, i et telt, køretøj eller andet indelukket rum, da dette er livsfarligt. **KUN TIL UDENDØRS BRUG!**

Kogeblusset (gasbeholderen eller brændselsflasken) må **ALDRIG** dækkes til med en vindskærm, sten eller lignende, som kan forårsage overophedning og skader på kogeblusset og gasbeholderen/brændselsflasken. En sådan overophedning af gasbeholder eller brændselsflaske er livsfarligt.

BRÆNDSTOF OG YDELSE

Mundstykke 36 (0,36 mm)

- Engangsbeholdere med primusgas (propan-/butan/isobutanblanding) er det ideelle brændstof til OmniLite Ti. Det er let at bruge, kræver normalt ingen forvarming, er effektivt, rent (ingen sod) og kræver næsten ingen vedligeholdelse og servicering.

Mundstykke 32 (0,32 mm)

- Industribensin af en god kvalitet eller PRIMUS PowerFuel, MSR® White Gas/Coleman® Fuel giver en ren forbrænding og efterlader næsten ingen belægninger i brændstofsystemet.
- Almindelig benzinen bør kun anvendes undtagelsesvis, da det indeholder tilsætningsstoffer, som er sundhedsskadelige og desuden efterlader belægninger i brændstofsystemet.
- Af sundhedshensyn må blyholdig benzin aldrig anvendes.

Mundstykke 25 (0,25 mm)

- Petroleum kan fås over hele verden, men det brænder med en mere sodet flamme, er vanskeligere at forvarme og kan nødvendiggøre regelmæssig rengøring.
- Dieselbrændstof kan bruges, hvis det ikke er muligt at skaffe andre typer brændstof. Dette brændstof brænder med en meget sodende flamme, tager langt tid at forvarme og kræver regelmæssig rengøring.

1. INDLEDNING

- 1.1 Dette gasapparat er kun beregnet til Primus gasbeholdere 2206, 2202 og 2207 med propan-/butan-/isobutanblanding eller Primus brændselsflasker til industribenzin (PRIMUS PowerFuel, MSR® White Gas/Coleman® Fuel), blyfri benzin, petroleum og andre lignende brændstoftyper.
- 1.2 Det kan være farligt at forsøge at tilslutte dette apparat til andre typer gasbeholdere eller brændselsflasker. Dette kan medføre lækager, som kan forårsage personskader eller dødsulykker.
- 1.3 Gasforbrug: 130 g/time / 6300 Btu/time / ca. 1,8 kW ved 1 bars tryk.
- 1.4 Størrelse på mundstykke: 0,36 mm til Primus engangsbeholder. Størrelse på mundstykke: 0,32 mm til industribenzin (PRIMUS PowerFuel, MSR® White Gas/Coleman® Fuel) og blyfri benzin. Størrelse på mundstykke: 0,25 mm til petroleum eller lignende brændstoftyper.
- 1.5 Dette apparat opfylder kravene i henhold til EN 521, CAN1-11.2-M79 og CSA B140.9.2-1975. CE-mærkningen (EN 521) gælder kun flaskegasdrift.
- 1.6 **Vær altid opmærksom på, at slangen vender bort fra kogeblusset og ikke kommer i kontakt med flammen eller de varme forbrændingsgasser.** Undgå at sno slangen eller udsætte den for slitage.

2. RÅD OM SIKKER ANVENDELSE (Fig. 1)

- 2.1 Sørg for, at apparatets og pumpens tætninger (1) er korrekt placeret og i god stand, inden gasbeholderen eller brændselsflasken tilsluttes.
- 2.2 Dette apparat er kun beregnet til brug uden dørs. Apparatet må IKKE anvendes eller tændes i et rum, som ikke er ventileret, indendørs, i et telt, køretøj eller andet indelukket rum, da dette er livsfarligt.
- 2.3 Gasapparatet skal stå på en jævn overflade.
- 2.4 Sørg for, at der ikke findes brændbare materialer i nærheden som beskrevet i punkt 4.8.4 og 6.8.6.
- 2.5 Udsiftning og tilslutning af gasbeholder/brændselsflasken skal udføres på et sikkert sted udendørs og ikke i nærheden af tændkilder som f.eks. åben ild, vågeblus eller elkaminer. Udsiftning må heller ikke foregå, hvor der er andre personer til stede.
- 2.6 I tilfælde af en utæthed i apparatet (lugt af gas, benzin, osv.) skal det straks placeres på et godt ventileret sted udendørs og ikke i nærheden af tændkilder, hvorefter utætheden skal findes og stoppes. Kontrol af gaslækage må kun finde sted udendørs. Kontrol af utætheder må aldrig finde sted med åben ild. Brug i stedet sæbevand.
- 2.7 Brug aldrig et apparat med beskadigede eller slidte tætninger eller et utæt, beskadiget eller dårligt fungerende apparat.
- 2.8 Lad aldrig et tændt apparat stå uden opsyn.
- 2.9 Kogegrej må ikke koge tørt.

3. HÅNTERING AF APPARATET

- 3.1 Rør ikke ved de opvarmede dele på apparatet under eller lige efter brug.
- 3.2 Opbevaring: Skru gasbeholderen/brændselsflasken af apparatet, når det ikke er i brug. Gasbeholderen skal opbevares tørt og sikkert og på afstand af varmekilder.
- 3.3 Apparatet må ikke misbruges eller anvendes til andre formål end dem, det er beregnet til.
- 3.4 Håndter apparatet forsigtigt. Det må ikke tabes.

4. MONTERING OG BRUG AF APPARATET MED GASBEHOLDER

- 4.1 **Det er meget vigtigt, at brændstofsystemet er helt tomt for andre brændstoftyper inden der anvendes gas. Der kan ellers opstå en farlig opblussende flamme (vejledning om tømming af systemet i punkt 6.8.7) Kontrollér også, at mundstykke 36 er monteret.**
- 4.2 Sørg for, at lukkeventilen (2) og reguleringshåndtaget (5) er helt lukkede (ved at dreje dem længst muligt med uret).
- 4.3 Hold gasbeholderen (3) lodret, mens den tilsluttes ventilen.
- 4.4 Placér ventilen vinkelret på gasbeholderen (se Fig. 2).
- 4.5 Skru forsigtigt gasbeholderen ind i ventilen, indtil den rører ved ventilens O-ring. Sørg for, at der ikke skrues skævt ved tilslutningen til gasbeholderen. **Obs! Gasbeholderen må kun skrues på ventilen med håndkraft. Hvis der skrues for hårdt, kan gasbeholderen beskadiges.**
- 4.6 Sørg for, at gastilslutningen er helt tæt. Kontrol af gas må kun foregå udendørs. Kontrol af utætheder må aldrig foretages med åben ild. Brug sæbevand, som påføres ved gasapparatets sammenføjninger og tilslutninger. Hvis der er en utæthed, opstår der bobler rundt om det utætte område. Hvis der er grund til at tro, at der er en utæthed, eller hvis der lugter af gas, må gasapparatet ikke tændes. Skru gasbeholderen af, og indlever gasapparatet til din Primus forhandler.
- 4.7 Drej benene (karrets støtteben) (12) i rette position i vindskærmen (11).
- 4.8 Kogeblusset er nu klar til brug.
- 4.9 Apparatet skal altid stå støt. Sørg for at slangen er helt strakt, og at den vender væk fra kogeblusset. Gasbeholderen skal være uden for rækkevidde af kogeblussets varme.
- 4.10 Drej først lukkeventilen (2) og derefter reguleringshåndtaget (5) mod uret, og tænd brænderen (4) med det samme.
- 4.11 Justér flammen ved at dreje reguleringshåndtaget (5) eller lukkeventilen (2).

- 4.12 Apparatet må kun anvendes i opretstående position. Flyt aldrig et tændt apparat. Der kan opstå en blafrende flamme, inden apparatet er blevet varmt, eller hvis det flyttes med for voldsomme bevægelser.
- 4.13 Efter brug skal først lukkeventilen (2) lukkes. Når flammen er slukket, lukkes også reguleringshåndtaget (5)
- 4.14 Der skal være god afstand til brændbare materialer. Der skal være mindst 1250 mm til loftet og mindst 1000 mm til vægge. **HVIS DETTE IKKE OVERHOLDES**, opstår der brandfare!

5. UDSKIFTNING AF GASBEHOLDER

- 5.1 Luk lukkeventilen (2) og reguleringshåndtaget (5) helt. Kontrollér, at flammen er slukket, og at der ikke er anden åben ild i nærheden. Gasbeholderen skal udskiftes udenørs på et sted, hvor der ikke er mennesker. Skru beholderen af ventilen, og udsift O-ringen, som tætnet kogeblusset, hvis denne er revnet eller slidt. Undgå at skru beholderen skævt på ved at placere ventilen vinkelret på gasbeholderens gevind, og skru den i med håndkraft som beskrevet i punkt 4.

6. MONTERING OG BRUG AF APPARATET MED FLYDENDE BRÆNDSTOF

- 6.1 Apparatet leveres med tre mundstykker. Det mundstykke, som er mærket 36, er beregnet til Primus gasbeholdere, mundstykke 32 til industribenzin og blyfri benzin, og mundstykke 25 er beregnet til petroleum, diesel eller lignende brændstoftyper. Sørg for, at det korrekte mundstykke er monteret.
- 6.2 Fyld Primus brændselsflasken op til opfyldningslinien med flydende brændstof. Obs! Fyld aldrig højere op end til linien!
- 6.3 Sørg for at lukkeventilen (2) og reguleringshåndtaget (5) er helt lukkede (ved at dreje så langt som muligt med uret).
- 6.4 Skru pumpen (21) i brændselsflasken (20).
- 6.5 Skru forsigtigt pumpens svingkobling ind i ventilen, indtil den rører ved ventilens O-ring. Sørg for, at den ikke skrues skævt på. **Obs! Svingkoblingen må kun skrues på ventilen med håndkraft. Hvis forbindelsen strammes for hårdt, kan der opstå skader på svingkoblingen.**
- 6.6 Drej benene (karrets støtteben) (12) i rette position i vindskærmen (11).
- 6.7 Pump ca. 20 pumpeslag, flere hvis brændstofniveauet er under opfyldningslinien i brændselsflasken.
- 6.8 Placér brændselsflasken på et jævnt og stabilt underlag med teksten "ON" på brændselsflasken opad.
- 6.9 Apparatet skal altid stå på et jævnt underlag. **Vær altid opmærksom på, at slangen vender bort fra kogeblusset og ikke kommer i kontakt med flammen eller de varme forbrændingsgasser.** Undgå at sno slangen eller udsætte den for slitage. Brændselsflasken skal være på afstand af varmen fra kogeblusset.
- 6.10 Åbn først lukkeventilen (2). Åbn dernæst reguleringshåndtaget (5) ved at dreje denne en halv omgang mod uret, så brændstoffet kommer ud ad mundstykket i ca. 2 sekunder, inden knappen lukkes igen. Hvis der anvendes petroleum eller diesel, eller hvis vejret er koldt, eller det blæser, skal der bruges mere brændstof til forvarmning. Slip i så tilfælde brændstof ud i 4-6 sekunder.
- 6.11 Kontrollér, at apparatet ikke er utæt ved lukkeventilen, reguleringshåndtaget, brændstofpumpen, mundstykket, brændstofrøret eller slangen. **OPDAGES EN LÆKAGE, MÅ APPARATET IKKE BRUGES!**
- 6.12 Tænd forvarmningsfiltret. **HOLD IKKE HOVEDET ELLER ANDRE KROPSDELE HEN OVER APPARATET!** Forvarmningsfiltret vil nu brænde i ca. 40 sekunder, hvis der bruges industribenzin/white gas, og i længere tid, hvis der anvendes petroleum eller diesel, eller hvis den omgivende temperatur er lav. Når brændstoffet i forvarmningsfiltret er ved at være opbrugt, men inden flammen slukker helt, skal reguleringshåndtaget (5) åbnes langsomt (ved at dreje det mod uret). Hvis apparatet brænder

med en gul ustabil flamme, har forvarmningsperioden været for kort. Prøv at dreje reguleringshåndtaget (5) lidt tilbage, indtil flammen er blå og brænder stabilt. Lad så apparatet brænde ved lav effekt et øjeblik for at varme det op. Hvis kogeblusset trods dette ikke kan køre ved fuld effekt, er den eneste mulighed at slukke kogeblusset, lade det køle helt af og derefter starte en ny og længere forvarmning med mere forvarmningsbrændstof. Husk også, at kogeblusset skal beskyttes mod blæsten under forvarmningsproceduren.

- 6.13 Apparatet må kun anvendes i opretstående position. Flyt aldrig et tændt apparat. Der kan opstå en blafrende flamme, inden apparatet er blevet varmt, eller hvis det flyttes med for voldsomme bevægelser.
- 6.14 Der skal være god afstand til brændbare materialer. Der skal være mindst 1250 mm til loftet og mindst 1000 mm til vægge. **HVIS DETTE IKKE OVERHOLDES**, opstår der brandfare!
- 6.15 Slukning af apparatet og tømning af brændstoffsyste-
met. Vend brændstofbeholderen 180°, så teksten "OFF" på brændstofpumpen vender opad. Når flammen er slukket, og der kun kommer luft gennem mundstykket, lukkes lukkeventilen (2) (ved at dreje grebet så langt som muligt med uret). Bemærk: denne procedure tager ca. 1 minut. Når kogeblusset er slukket, skal også reguleringshåndtaget (5) lukkes. Lad apparatet køle af, inden det skilles ad.
- 6.16 Tænd IKKE et varmt apparat igen. Varme dele i apparatet kan forårsage fordampning af det flydende brændstof, og forsøg på at tænde apparatet kan resultere i en stor flamme.

7. VEDLIGEHOLDELSE

- 7.1 Ved brug af flydende brændstof skal mundstykket rengøres regelmæssigt for at sikre optimal og problemfri drift. Hvis apparatet bruges gennem længere tid med flydende brændstof eller med dårligt brændstof, skal reguleringsspindlen (30) rengøres.
- 7.2 **Rengøring af mundstykket.**
Luk lukkeventilen (2) og reguleringshåndtaget (5), og skru gasbeholderen (3) eller brændselsflasken (20) af.
- 7.3 Mundstykket (10) kan rengøres monteret eller afmonteret fra apparatet med det multiværktøj, som hører til apparatet.
- 7.4 Rengør mundstykket med den medfølgende rensenål (26).
- 7.5 Sæt mundstykket i igen, og skru det godt fast, så forbindelsen bliver tæt. Som ekstra sikkerhed bør man anvende en Primus gasbeholder, og sammenføjjningen bør kontrolleres med varmt sæbevand. Hvis der opstår bobler, er sammenføjjningen ikke tæt nok. Skru brænderen godt fast igen.
- 7.6 **Rengøring af reguleringsspindel**
Skrulåsemøtrikken (31) af med multiværktøjet. Skru spindlen af. Rengør forsigtigt de tre spor, der løber langs spindlens spids, f.eks. med en negl. Pas på ikke at beskadige spindlens gevind. Kontrollér at spindlens O-ring er hel, og kontroller tætheden efter genmontering. Som ekstra sikkerhed bør man anvende en Primus gasbeholder, og sammenføjjningen bør kontrolleres med sæbevand. Hvis der opstår bobler, er sammenføjjningen ikke tæt nok.
- 7.7 **Brændstofpumpe**
Hvis pumpen ikke sætter brændselsflasken under tryk, strækkes læderpakningen (25) og indsmøres med Primus læderolie (spyt eller anden mineralbaseret olie). Skru pumpe-
tangen af og træk den ud. Smør olien ind i læderpakningen, indtil den er blød og smidig. Hvis pumpe-
n stadigvæk ikke sætter brændselsflasken under tryk, udskiftes læderpakningen eller der fortsættes med punkt 7.8.
- 7.8 Hvis ikke pumpen kan opretholde trykket i flasken, rengøres og efterses envejsventilen (29). Demonter envejsventilen, og kontroller, at O-ringen er ren. Montér envejsventilen igen.
- 7.9 **Eftersyn og vedligeholdelse**
Sørg for, at tætninger og O-ringe sidder korrekt og er i god stand. Dette bør kontrolleres, hver gang apparatet monteres. Udskift O-ringen, hvis den er beskadiget eller slidt. Nye O-ringe kan købes hos nærmeste Primus-forhandler.

7.10 Multiværktøj

Anvendes til demontering/montering af mundstykke (10), låsemøtrik (31), slangebeslag (32), bundskrue (33) og lås til forvarmningsfilt (34). Se fig. (5).

8. TIPS OG FEJLFINDING

Primus engangsgasbeholdere (propan-/butanblanding) er det bedst egnede brændstof til OmniLite Ti-kogeblusset. Det er let at anvende, kræver ingen forvarmning, effektivt, rent (ingen sod), og kræver næsten ingen vedligeholdelse og servicering.

Industribenzin af god kvalitet eller PRIMUS PowerFuel, MSR® White Gas/Coleman® Fuel har en ren forbrænding og efterlader næsten ingen belægninger i brændstoffsyste-
met, men er ikke så ren som gas i engangsbereholdere.

Kogeblusset har et brændstoffilter i pumpens plastslange (35). Normalt kræver disse filtre ingen pasning. Filtrene kan dog udskiftes efter behov. Ved udskiftning af filteret ved slangebeslaget (32), skal det gamle demonteres ved at stikke en spids genstand (f.eks. et stykke nål) gennem filteret, så det kan vippe ud. Pas på tætningsfladerne. Test filteret for lækage, se pkt. 4.5.

Nedenfor findes vigtige oplysninger om effekter på kogeblus med gasbeholder samt tips om, hvordan man kan forhøje (bibeholde) effekten.

De faktorer, som påvirker effekten, er følgende:

- Gasvolumen i beholderen
- Den omgivende lufttemperatur
- Gassens starttemperatur

Tips til forbedring af effektiviteten i koldt vejr

- Forvarm gasbeholderen ved at placere den lodret i en tomme (2,5 cm) varmt vand
- Forvarm gasbeholderen med hænderne eller indenfor jakken, inden den tilsluttes apparatet

Mulige årsager til nedsat effekt

- For lavt tryk i flasken til flydende brændstof
- Forkert mundstykke monteret
- Mundstykke eller mundstykkefilter tilstoppet
- Spindelspor tilstoppede (se pkt. 7.5 herover)
- Brændstoffiltre tilstoppede
- Apparatet ikke beskyttet mod vind

Mulige årsager til at apparatet brænder med en gul ustabil flamme:

- Ikke tilstrækkelig forvarmning.
- Forkert mundstykke.
- Apparatet er ikke beskyttet mod vind. Brug Primus Windscreen & Heatreflector eller anbring kogeblusset på et beskyttet sted.
- For højt tryk i brændselsflasken pga. for megen pumpning. Nedsæt effekten på reguleringshåndtaget.
- Der anvendes gammelt brændstof eller brændstof af en dårlig kvalitet.

9. SERVICE OG REPARATION

- 9.1 Hvis eventuelle fejl ikke kan repareres ved at følge disse instruktioner, skal apparatet indleveres til din Primus forhandler.
- 9.2 Forsøg aldrig at foretage andet vedligeholdelses- eller reparationsarbejde en det, der er beskrevet her.
- 9.3 Der må aldrig foretages ændringer på apparatet, da det så kan blive farligt at bruge.
- 9.4 Kogeblusset er godkendt med en fabriksmonteret slange og må IKKE anvendes med andre typer slanger end originalslangen.
10. **RESERVEDELE OG TILBEHØR**
- 10.1 Brug kun Primus originale reservedele og tilbehør. Vær forsigtig ved montering af reservedele og tilbehør, og undgå at røre ved opvarmede dele.
- 10.2 Engangsbereholdere: Brug kun Primus 2206, 2202, 2207 gasbeholdere med propan-/butan-/isobutangasblanding til dette apparat. Brændselsflasker: Brug kun Primus brændselsflasker 734120, 721950, 721960 og 732530 til dette apparat.
- 10.3 Reservedele kan fås hos din Primus-forhandler eller hos importøren.
- 10.4 Hvis der er problemer med at få reservedele eller tilbehør, kontakt da importøren i dit land, se www.primusequipment.com

BELANGRIJK: Lees deze gebruiksaanwijzing zorgvuldig voordat u het toestel aansluit op een gastankje of brandstoffsles en lees de gebruiksaanwijzing ook later regelmatig door om uw kennis van de werking van het toestel op peil te houden. Bewaar de gebruiksaanwijzing voor toekomstig gebruik. **Het niet in acht nemen van deze gebruiksaanwijzing kan ernstig persoonlijk letsel of doodsgevaar tot gevolg hebben!**

WAARSCHUWING: Dit toestel verbruikt zuurstof en produceert koolstofdioxide. Ter voorkoming van levensgevaar mag het toestel NIET worden gebruikt of ontstoken in niet geventileerde ruimten, binnenshuis, in tenten, voertuigen of andere besloten ruimten. **UITSLUITEND VOOR GEBRUIK BUITENSHUIS!**

Dek het kooktoestel (gastankje of brandstoffsles) **NOOIT** af met een windscherm, stenen of andere voorwerpen die oververhitting en beschadiging van het kooktoestel, gastankje of brandstoffsles kunnen veroorzaken. De aldus ontstane oververhitting van gastankjes of brandstoffsles is levensgevaarlijk.

BRANDSTOFFEN EN PRESTATIES

Afsluitventiel 36 (0,36 mm)

- Gas in Primus-wegwerpcassettes (mengsel van propaan/butaan/isobutaan) is de ideale brandstof voor de OmniLite Ti. Het is eenvoudig in het gebruik, effectief, schoon (geen roetaanslag) vergt geen voorverwarming en is vrijwel onderhoudsvrij.

Afsluitventiel 32 (0,32 mm)

- Hoogwaardige benzine voor industrieel gebruik of PRIMUS PowerFuel, MSR® White Gas/ Coleman® Fuel heeft een schone verbranding en laat hoegenaamd geen aanslag achter in het brandstofsysteem.
- Gewone autobenzine mag alleen bij wijze van uitzondering worden gebruikt, aangezien deze brandstof additieven bevat die gevaar voor de gezondheid opleveren en bovendien aanslag in het brandstofsysteem achterlaat.
- Gebruik om gezondheidsredenen nooit gelode benzine.

Afsluitventiel 25 (0,25 mm)

- Petroleum is over de hele wereld verkrijgbaar, maar produceert een blakerende vlam. Het voorverwarmen is ook lastiger, terwijl regelmatig reinigen noodzakelijk is
- Gebruik diesel alleen als er geen andere brandstof beschikbaar is. Deze brandstof produceert een walmende vlam, vereist een lange voorverwarmingstijd en vergt regelmatig schoonmaken.

1. INLEIDING

- Dit toestel is uitsluitend geschikt voor de Primus-gastankjes 2202, 2206 en 2207, gevuld met een mengsel van propaan en butaan en isobutaan, of Primus-brandstoffsles voor industriebenzine (PRIMUS PowerFuel, MSR® White Gas/ Coleman® Fuel), ongelode benzine, petroleum en andere soortgelijke brandstoffen.
- Pogingen om het toestel aan te sluiten op andere soorten gastanks of brandstoffsles kunnen gevaarlijk zijn, met het risico van persoonlijk letsel of ongevallen met dodelijke afloop
- Gasverbruik: 130 g/u / 6300 Btu/u / ca. 1,8 kW bij een druk van 1 bar.
- Afmeting van het afsluitventiel: 0,36 mm voor wegwerpcassettes van Primus. Afmeting van afsluitventiel: 0,32 mm voor industriebenzine (MSR® White Gas/Coleman® Fuel) en ongelode benzine. Afmeting van afsluitventiel: 0,25 mm voor petroleum en soortgelijke brandstoffen.
- Dit toestel voldoet aan de eisen volgens EN 521, CAN1-11.2-M79 en CSA B140.9.2-1975. Het CE-merkteken is alleen van toepassing bij gebruik van gas.
- Zie er altijd op toe dat de slang van het kooktoestel af is gericht en niet in aanraking komt met de vlam of de hete uitlaatgassen.** Voorkom dat de slang verdraaid wordt of wordt blootgesteld aan slijtage.

2. WENKEN VOOR VEILIG GEBRUIK

- Zorg ervoor dat de afdichtingen van het toestel en de pomp (1) correct zijn geplaatst en in goede

- staat verkeren voordat u het gastankje of de brandstoffsles aansluit.
- Dit toestel is uitsluitend bedoeld voor gebruik buitenshuis. Ter voorkoming van levensgevaar mag het toestel NIET worden gebruikt of ontstoken in niet geventileerde ruimten, binnenshuis, in tenten, auto's of andere besloten ruimten.
- Plaats de gasbrander op een vlakke ondergrond.
- Vergewis u ervan dat er in de nabijheid van het toestel geen brandbare voorwerpen aanwezig zijn zoals beschreven onder punt 4.8.4 en 6.8.6.
- Het vervangen of aansluiten van een gascassette of brandstoffsles dient plaats te vinden op een veilige plaats buitenshuis en uit de nabijheid van hittebronnen als open vuur, waakvlammen, elektrische kachels en andere mensen.
- Plaats het toestel in geval van lekkage (gas- of benzinegeur, enz.) onmiddellijk op een goed geventileerde plaats in de vrije lucht, uit de nabijheid van ontstekingsbronnen. Controleer en verhelp de lekkage. Gaslekkages mogen uitsluitend buitenshuis worden gecontroleerd. Voor de controle op lekkage mag nooit een vlam worden gebruikt. Gebruik zeepsop.
- Gebruik het toestel nooit als de afdichtingen beschadigd of versleten zijn of als het toestel zelf lekt, beschadigd is of niet goed werkt.
- Laat een brandend toestel nooit onbeheerd achter.
- Let op dat pannen niet droogkoken.

3. HANTEREN VAN HET TOESTEL

- Raak tijdens of kort na het gebruik nooit de hete onderdelen van het toestel aan.
- Opslag:** Schroef het gastankje of de brandstoffsles los als het toestel niet wordt gebruikt. Bewaar het gastankje op een droge en veilige plaats, uit de nabijheid van warmtebronnen.
- Gebruik het toestel niet op oneigenlijke wijze of voor andere dan de beoogde doeleinden.
- Behandel het toestel met de nodige voorzichtigheid. Laat het toestel niet vallen.

4. MONTEREN EN GEBRUIK VAN HET TOESTEL MET GASCASSETTE

- Het is enorm belangrijk dat het brandstofsysteem geheel leeg is voordat gasbrandstof wordt gebruikt. Een gevaarlijke steekvlam kan anders ontstaan (zie voor het aftappen van het systeem de aanwijzingen onder punt 6.8.7). Vergewis u er ook van dat afsluitventiel 36 is gemonteerd.**
- Zorg ervoor dat de afsluitklep (2) en de regelknop (5) goed gesloten zijn (door zo ver mogelijk met de klok mee te draaien).
- Houd het gastankje (3) rechtop tijdens het aansluiten op de klep.
- Plaats de klep recht op het gastankje (zie fig.2).
- Draai het gastankje voorzichtig op de klep tot het de O-ring van de klep raakt. Let op dat u het gastankje niet scheef op de schroefdraad draait. **N.B: Het gastankje mag alleen met handkracht op de klep worden geschroefd! Als u het gastankje te hard vastdraait kan het beschadigd worden.**
- Zorg ervoor dat de gasaansluiting volledig is afgedicht. Het gas mag uitsluitend buitenshuis worden gecontroleerd. Voor de controle op lekkage mag nooit een vlam worden gebruikt. Gebruik zeepsop dat u op de naden en aansluitingen van de gasbrander aanbrengt. Bij lekkage worden belletjes gevormd rondom de lekkage. Als u redenen hebt om aan te nemen dat de brander lekt of als u een gaslucht gewaarwordt, mag de gasbrander niet worden aangestoken. Draai het gastankje los en lever de gasbrander in bij uw Primusdealer.
- Draai de poten (pannensteunen) (12) in positie in het windscherm (11).
- Het kooktoestel is nu klaar voor gebruik.
- Het toestel moet altijd op een stabiele ondergrond staan. Zorg ervoor dat de slang geheel gestrekt is en van het kooktoestel af is gericht. De gascassette moet buiten bereik van de kookwarmte staan.
- Draai eerst de afsluitklep (2) en vervolgens de regelknop (5) tegen de klok in en ontsteek de brander (4) onmiddellijk.
- Stel de vlam af met behulp van de regelknop (5) of de afsluitklep (2).
- Het toestel mag alleen rechtopstaand worden gebruikt. Verplaatst nooit een brandend toestel. De vlam kan flakkeren voordat het toestel warm

- genoeg is of als het te abrupt wordt verplaatst.
- Na het gebruik eerst de afsluitklep (2) sluiten en nadat de vlam is gedoofd ook de regelknop (5).
- Zorg voor voldoende afstand tot brandbare materialen. De afstand tot het plafond/dak dient minstens 1250 mm te zijn en tot de wand minstens 1000 mm. **ANDERS** kan brand uitbreken!

5. VERVANGEN VAN GASTANK

- Sluit de afsluitklep (2) en de regelknop (5) geheel. Zorg ervoor dat de vlam geheel is gedoofd en dat er geen ander open vuur in de nabijheid is. Het gastankje moet buitenshuis worden vervangen, buiten bereik van andere personen. Draai het tankje van de klep en vervang de O-ring waarmee het kooktoestel wordt afgedicht, als de ring gebarsen of versleten is. Voorkom het scheef op de schroefdraad draaien, door de klep recht op de schroefdraad van het gastankje te plaatsen en de klep alleen met handkracht aan te draaien, zoals beschreven onder punt 4.

6. MONTEREN EN GEBRUIKEN VAN HET TOESTEL MET VLOEIBARE BRANDSTOFFEN

- Het toestel wordt geleverd met drie afsluitkleppen. Het afsluitventiel met de aanduiding 36 is bedoeld voor Primus-gastankjes, afsluitventiel 32 voor industriebenzine en ongelode benzine en afsluitventiel nummer 25 is bedoeld voor petroleum, diesel en soortgelijk brandstoffen. Vergewis u ervan dat het juiste afsluitventiel is gemonteerd. Vul de Primus-brandstoffsles tot aan de streep met vloeibare brandstof. N.B: Nooit tot boven de vulstreep!
- Zorg ervoor dat de afsluitklep (2) en de de regelknop (5) goed gesloten zijn (door zo ver mogelijk met de klok mee te draaien).
- Draai de pomp (21) in de brandstoffsles (20).
- Draai de wartelverbinding van de pomp voorzichtig op de klep tot het de O-ring van de klep raakt. Let op dat u niet scheef in de schroefdraad draait bij het aansluiten van de wartelverbinding. **N.B: De wartelverbinding mag alleen met handkracht op de klep worden geschroefd. Als u te hard draait kan de wartelverbinding beschadigd worden.**
- Draai de poten (pannensteunen) (12) in positie in het windscherm (11).
- Pomp ca. 20 slagen, of meer als het brandstofniveau onder de streep in de brandstoffsles staat.
- Plaats de brandstoffsles op een vlakke en stevige ondergrond met de tekst "ON" op de brandstofpomp omhoog gericht.
- Het toestel moet altijd op een stabiele ondergrond staan. **Zie er altijd op toe dat de slang van het kooktoestel af is gericht en niet in aanraking komt met de vlam of de hete uitlaatgassen.** Voorkom dat de slang verdraaid wordt of wordt blootgesteld aan slijtage. De brandstoffsles moet buiten bereik van de kookwarmte staan.
- Open eerst de afsluitklep (2). Open daarna de regelknop (5) door hem een halve slag tegen de klok in te draaien en laat de brandstof ca. 2 seconden uit het afsluitventiel spuiten voordat u de knop weer dichtdraait. Als petroleum of diesel wordt gebruikt en bij koud weer of harde wind, is meer brandstof vereist voor de voorverwarming. Laat de brandstof dan 4-6 seconden ontsnappen.
- Controleer of het toestel lekt aan de afsluitklep, de regelknop, de brandstofpomp, het afsluitventiel, de brandstofleiding of de slang.
- BIJ LEKKAGE HET TOESTEL NIET GEBRUIKEN!**
- Ontsteek het voorverwarmingskussen-tje. **HOUD UW HOOFD EN ANDERE LICHAAMSDLEN NIET BOVEN HET TOESTEL** Het voorverwarmingskussentje zal nu ca. 40 seconden branden als industriebenzine/white gas wordt gebruikt, langer bij gebruik van petroleum en diesel of als de omgevingstemperatuur te laag is. Wanneer de brandstof in het voorverwarmingskussentje bijna op is, maar voordat de vlam geheel is gedoofd, draait u de regelknop (5) langzaam open (tegen de klok in draaien). Als het toestel met gele en flakkerende vlam brandt, is de voorverwarmingstijd te kort. Draai de regelknop (5) een beetje lager tot de vlam blauw en stabiel is en laat het toestel een poosje op een laag pitje branden om te worden voorverwarmd. Als het desondanks niet mogelijk is om het kooktoestel met volle kracht te laten branden, dan

zit er niets anders op dan het kooktoestel uit te zetten en af te laten koelen en de voorverwarmingsprocedure te herhalen met een langere tijd en meer voorverwarmingsbrandstof. Denk er ook aan dat het kooktoestel tijdens de voorverwarmingsprocedure uit de wind moet staan.

- 6.13 Het toestel mag alleen rechtopstaand worden gebruikt. Verplaats nooit een brandend toestel. De vlam kan flakkeren voordat het toestel warm genoeg is of als het te abrupt wordt verplaatst.
- 6.14 Zorg voor voldoende afstand tot brandbare materialen. De afstand tot het plafond/dak dient minstens 1250 mm te zijn en tot de wand minstens 1000 mm. **ANDERS kan brand uitbreken!**
- 6.15 Uitzetten van het toestel en aftappen van het brandstofsysteem. Draai de brandstoffsleuf 180° zodat de tekst "OFF" op de brandstofpomp omhoog is gericht. Als de vlam is gedoofd en er alleen nog lucht uit het afsluitventiel komt, sluit u de afsluitklep (2) (door de knop volledig met de klok mee te draaien).
- Opmerking:** Deze procedure neemt ca. 1 minuut in beslag. Nadat het kooktoestel is gedoofd, draait u de regelknop (5) ook dicht. Laat het toestel afkoelen voordat u het uiteenneemt.
- 6.16 Gebruik een warm toestel NIET opnieuw. Warme delen van het toestel kunnen de vloeibare brandstof doen verdampen en bij het ontsteken kan een steekvlam ontstaan.

7. ONDERHOUD

- 7.1 Bij gebruik van vloeibare brandstoffen dient het afsluitventiel regelmatig te worden gereinigd om een optimale en probleemloze werking te verzekeren. Indien het toestel gedurende een langere periode wordt gebruikt met vloeibare brandstof of met slechte brandstof moet de regelspil (30) worden gereinigd.
- 7.2 **Reiniging van het afsluitventiel.** Sluit de afsluitklep (2) en de regelknop (5) en draai de gascassette (3) of brandstoffsleuf (20) los.
- 7.3 Het afsluitventiel (10) kan op het kooktoestel worden gereinigd of nadat het is verwijderd.
- 7.4 Reinig het afsluitventiel met behulp van van de bij het toestel geleverde reinigingsnaald (26).
- 7.5 Plaats het afsluitventiel weer terug en draai het stevig vast om een goede afdichting te waarborgen. Voor extra veiligheid, gebruik Primus-gastanks en controleer de naden met zeepsop. De afdichting is onvoldoende als er belletjes ontstaan.
- 7.6 **Reiniging van de regelspil** Draai de contramoer (31) los met het multifunctionele gereedschap. Draai de spil los. Reinig voorzichtig, bijvoorbeeld met uw nagel, de drie sleuven die langs de spits van de spil lopen. Let op dat de draad van de spil niet wordt beschadigd. Vergewis u ervan dat de O-ring van de spil intact is en controleer de afdichting na het terugplaatsen van de spil. Voor extra veiligheid, gebruik Primus-gastanks en controleer de naden met zeepsop. De afdichting is onvoldoende als er belletjes ontstaan.
- 7.7 **Brandstofpomp** Als de pomp geen druk opbouwt in de brandstoffsleuf, zet dan het leertje (25) strak en smeert de pakking in met Primus-lederolie (of met speeksel of olie op mineraalbasis). Draai de pompstang los en verwijder hem. Smeer de lederen pakking in met olie tot hij zacht en soepel is. Als de pomp er nog steeds niet in slaagt om de brandstoffsleuf onder druk te zetten, dient de lederen pakking te worden vervangen. Ga verder met punt 7.8.
- 7.8 Als de pomp de druk in de fles niet op peil kan houden, reinig en controleer dan de terugslagklep (29). Demonteer de terugslagklep en vergewis u ervan dat de O-ring schoon is. Plaats de terugslagklep weer terug.
- 7.9 **Inspectie en onderhoud** Zorg er altijd voor dat de afdichtingen en O-ringen correct zijn geplaatst en in goede staat verkeren. Controleer dit telkens als u het toestel in elkaar zet. Vervang de O-ring als hij beschadigd of versleten is. Nieuwe O-ringen zijn te koop bij uw plaatselijke Primusdealer.
- 7.10 **Het multifunctionele gereedschap** Wordt gebruikt voor het demonteren/monteren van het afsluitventiel (10), de borgmoer (31), de slangbevestiging (32), de schroef in de bodem (33) en de vergrendeling van het voorverwarmingskussentje (34). Zie de fig. (5)

8. ADVIEZEN EN OPSPOREN VAN STORINGEN

Primusgas in wegwerpcassettes (mengsel van propaan/butaan) is de ideale brandstof voor het OmniLite Ti-kooktoestel. Het is eenvoudig in het gebruik, effectief, schoon (geen roetaanslag), vergt geen voorverwarming en is vrijwel onderhoudsvrij.

Hoogwaardige industriebenzine of PRIMUS PowerFuel, MSR® White Gas/Coleman® Fuel heeft een schone verbranding (hoevel niet zo schoon als gas uit wegwerpcassettes) en laat hoegenaamd geen aanslag achter in het brandstofsysteem.

Het kooktoestel is voorzien van een brandstofilter op de plastic slang van de pomp (35). Normaal gesproken vereisen deze filters geen aandacht. De filters kunnen echter zo nodig worden vervangen. Bij vervanging van het filter bij de slangbevestiging (32) verwijdert u het oude filter door een spits voorwerp (bijvoorbeeld een naald) door het filter te steken en het filter los te wrikken. Wees voorzichtig met de afdichtingsvlakken. Controleer op lekkage aan de hand van punt 4.5.

Hieronder volgt belangrijke informatie over het vermogen van het toestel bij gebruik van gascassettes en adviezen voor het opvoeren (behouden) van het vermogen.

Factoren die van invloed zijn op het vermogen:

- De hoeveelheid gas in de cassette
- De temperatuur van de omgevingslucht
- De starttemperatuur van het gas

Tips voor het opvoeren van het vermogen bij koud weer

- Voorverwarm de gascassette door hem in 2,5 cm diep bad met warm water te plaatsen.
- Voorverwarm de gascassette met uw handen of onder uw jas of jack voordat u hem aansluit op het toestel.

Mogelijke redenen voor verminderd vermogen

- Te lage druk in de fles voor vloeibaar brandstof
- Verkeerd afsluitventiel geplaatst
- Afsluitventiel of afsluitventielfilter verstopt
- Sleuven in de spil verstopt (zie punt 7.5)
- Brandstoffilters zijn verstopt
- Het toestel is niet beschermd tegen wind, enz.

Mogelijke redenen voor flakkerende en gele vlam

- Onvoldoende voorverwarming.
- Verkeerd afsluitventiel.
- Het toestel is niet beschermd tegen wind, enz. Gebruik de Primus Windscreen & Heatreflector of plaats het kooktoestel op een beschermde plaats.
- Te hoge druk in brandstoffsleuf door te veel pompen. Verminder het vermogen met de regelknop.
- Er is oude brandstof of brandstof van een slechte kwaliteit gebruikt.

9. SERVICE EN REPARATIE

- 9.1 Als u eventuele fouten niet met behulp van deze aanwijzingen kunt verhelpen, dan dient u het toestel in te leveren bij uw plaatselijke Primusdealer.
- 9.2 Probeer nooit andere onderhouds- of reparatiewerkzaamheden te verrichten dan de werkzaamheden die in deze aanwijzingen worden beschreven.
- 9.3 Breng nooit zelf wijzigingen aan aan het toestel, aangezien dit gevaar kan opleveren bij het gebruik.
- 9.4 Het kooktoestel is goedgekeurd met de in de fabriek gemonteerde slang, die UITSLUITEND vervangen mag worden door een originele reserve slang

10. RESERVEONDERDELEN EN ACCESSOIRES

- 10.1 Gebruik uitsluitend originele reserveonderdelen en accessoires van Primus. Wees voorzichtig bij het monteren van reserveonderdelen en accessoires en raak hete onderdelen niet aan.
- 10.2 Ruitgasflessen: Gebruik voor dit toestel alleen Primus 2202, 2206- of 2207-gastankjes met een gasmengsel van propaan/butaan/isobutaan. Brandstofflessen: Gebruik voor dit toestel alleen de Primus-brandstofflessen 734120, 721950, 721960 en 732530.
- 10.3 Reserveonderdelen zijn beschikbaar bij uw Primusverancier of bij de importeur.
- 10.4 Hebt u problemen met het vinden van passende reserveonderdelen of accessoires? Neem dan contact op met de importeur in uw land (zie www.primusequipment.com).



IMPORTANTE: Leggere accuratamente le seguenti istruzioni prima di collegare l'apparecchio alla cartuccia del gas o alla bomboletta del combustibile, consultare periodicamente le istruzioni per essere sempre certi di usare l'apparecchio nel modo migliore e più sicuro. Conservare le istruzioni per ogni futura evenienza. **Il mancato rispetto delle istruzioni per l'uso può provocare incidenti con conseguenti lesioni anche mortali.**

Il fornello a gas OmniLite Ti consuma ossigeno e genera diossido di carbonio; non va quindi usato in ambienti scarsamente ventilati, al chiuso, in tenda o all'interno di un veicolo per non correre gravi pericoli, anche mortali.

USARE SOLO ALL'APERTO

Non coprire MAI il fornello, la bombola del gas o il serbatoio del combustibile con paraventi, pietre o altro materiale in grado di provocare surriscaldamento, o di danneggiare il fornello, oppure la bombola del gas o il serbatoio del combustibile. Il surriscaldamento dei contenitori del gas e del combustibile è potenzialmente molto pericoloso.

COMBUSTIBILE E PRESTAZIONI

Ugello 36 (0,36mm)

- Per il fornello a gas OmniLite Ti, utilizzare preferibilmente una bombola PRIMUS con miscela di gas propano/butano/isobutano. È facile da usare, non richiede pre-riscaldamento, è efficace, pulito (niente fuliggine) e non richiede, in pratica, alcun tipo di manutenzione.

Ugello 32 (0,32mm)

- Anche la benzina industriale di buona qualità oppure PRIMUS PowerFuel, MSR® White Gas / Coleman® ha una combustione piuttosto pulita che lascia pochissimo residuo.
- La benzina per auto senza piombo va usata solo in condizioni eccezionali, dato che contiene additivi nocivi che lasciano maggiore quantità di residuo nel sistema.
- Per motivi sanitari si consiglia di non utilizzare mai benzina con piombo.

Ugello 25 (0,25mm)

- Il kerosene è reperibile ovunque, ma brucia con maggiore residuo, il preriscaldamento è più difficile e può richiedere una pulizia periodica frequente.
- Si sconsiglia l'uso di nafta, ma essa può essere utilizzata qualora non siano disponibili altri combustibili. La fiamma è molto fumosa, il preriscaldamento è lungo e richiede una pulizia periodica frequente.

1. INTRODUZIONE

- 1.1 Per questo fornello a gas usare solo con bombole PRIMUS art.no. 2202, 2006 e 2207 con miscela di gas propano/butano/isobutano, oppure con serbatoio PRIMUS per benzina industriale (PRIMUS PowerFuel, MSR® White Gas / Coleman®), benzina senza piombo, kerosene o altri combustibili simili.
- 1.2 L'uso di bombole o contenitori diversi da quelli previsti può essere rischioso, provocando pericoli in grado di causare incidenti e lesioni anche mortali.
- 1.3 Consumo di gas: 130 g/h / 6300 Btu/h / ca. 1,8 kW a 1 bar di pressione
- 1.4 Dimensioni dell'ugello 0,36 mm, per cartuccia del gas non ricaricabile Primus. Dimensioni dell'ugello 0,32 mm, per benzina industriale (PRIMUS PowerFuel, MSR® White Gas / Coleman®) e benzina senza piombo. Dimensioni dell'ugello 0,25 mm, per kerosene e combustibili analoghi.
- 1.5 Il fornello è conforme alle norme EN 521, CAN1-11.2-M79 e CSA B140.9.2-1975. Il marchio CE (EN 521) si riferisce al solo uso del gas liquido.
- 1.6 **Verificare che il tubo sia orientato in direzione opposta al fornello e non venga in contatto con fiamme o gas di scarico ad alta temperatura.** Controllare che il tubo non sia attorcigliato o schiacciato per evitare di logorarlo.

2. NORME DI SICUREZZA (Fig. 1)

- 2.1 Controllare che le guarnizioni a tenuta stagna dell'apparecchio e della pompa (1) siano integre

e montate correttamente, prima di collegare la cartuccia di gas o la bombola di combustibile. Il fornello è destinato al solo uso all'aperto. NON usare e NON accendere il fornello in ambienti poco ventilati, al chiuso, in una tenda, all'interno di un veicolo o in altro ambiente simile per evitare pericoli anche letali.

2.3 Posizionare il fornello su di una superficie piana.
2.4 Controllare che non vi siano oggetti infiammabili nelle vicinanze, secondo quanto indicato ai punti 4.86 e 6.8.6

2.5 Eseguire il montaggio o la sostituzione della cartuccia/serbatoio all'aperto e in ambiente sicuro. Assicuratevi che non vi siano fiamme libere, radiatori elettrici o altre fonti di calore. Tenere a distanza di sicurezza da eventuali altre persone presenti.

2.6 In caso di perdite dal fornello, odore di benzina, di gas ecc., portarlo immediatamente lontano da fiamme libere per verificare la perdita. Il controllo d'eventuali perdite non va mai eseguito con fiamme libere, ma soltanto con acqua saponata.

2.7 Non usare in alcun caso il fornello se presenta guarnizioni danneggiate o logore, se perde, se è danneggiato o se funziona male.

2.8 Non lasciare mai un fornello acceso senza sorveglianza.

2.9 Attenzione a non dimenticare i recipienti per la cottura sul fornello acceso.

3. USO DEL FORNELLO

3.1 Non toccare mai le parti calde dell'apparecchio mentre è acceso o subito dopo averlo spento.

3.2 Custodia: Svitare la cartuccia del gas o la bombola del combustibile dal fornello quando il fornello non è in uso. La cartuccia va conservata in luogo fresco e asciutto e lontano da fonti di calore.

3.3 Non usare il fornello per usi diversi da quelli cui è destinato.

3.4 Maneggiare il fornello con cura. Non farlo cadere.

4. MONTAGGIO ED USO DEL FORNELLO CON CARTUCCIA A GAS (Fig. 2 e 4)

4.1 **Prima di usare la bombola del gas è indispensabile scaricare il sistema da ogni traccia di combustibile residuo. Si può riscontrare altrimenti una fiamma improvvisa (per scaricare il sistema vedere ai punti 6.8.7). Controllare poi che l'ugello 36 sia montato correttamente.**

4.2 Controllare che il rubinetto (2) e il volantino (5) siano completamente chiusi ruotandoli completamente in senso orario.

4.3 Tenere la cartuccia (3) rivolta verso l'alto al momento di collegarla alla valvola.

4.4 Posizionare la valvola direttamente sopra la cartuccia (vedi Fig. 2)

4.5 Avvitare con cura la cartuccia alla valvola fino a toccare la guarnizione O-ring della valvola stessa. Assicurarsi che la cartuccia sia avvitata correttamente. **N.B! Per avvitare la cartuccia all'apparecchio usare solo le mani. Avvitare eccessivamente la cartuccia può danneggiarla.**

4.6 Controllare che la tenuta tra la cartuccia e il fornello sia perfettamente stagna. Il controllo va eseguito sempre e solo all'aperto. Il controllo d'eventuali perdite non va mai eseguito con fiamme libere, ma soltanto con acqua saponata applicata intorno ai raccordi. L'eventuale formazione di bollicine segnala la perdita. Se si sospetta che vi siano perdite o se si sente odore di gas, non accendere il fornello. Svitare la cartuccia, o la bombola, e riconsegnare l'apparecchio al vostro rivenditore Primus.

4.7 Posizionare il deflettore di calore (11) in posizione e ruotare i supporti (12) per le pentole nella posizione corretta.

4.8 Il fornello è pronto all'uso.

4.9 Il fornello deve sempre essere appoggiato su di una superficie stabile e piana. Assicurarsi che il tubo sia completamente steso e orientato in direzione opposta al fornello. La cartuccia deve essere sufficientemente lontana dal calore sprigionato dal fornello.

4.10 Ruotare il rubinetto (2) e quindi il volantino (5) in senso antiorario e accendere subito il bruciatore (4).

4.11 Regolare la fiamma agendo sul rubinetto (2) o sul volantino di regolazione (5).

4.12 Il fornello va utilizzato esclusivamente in posi-

zione verticale. Non spostare mai un fornello acceso, poiché prima che il fornello si scaldi, o un brusco spostamento possono rendere instabile la fiamma.

4.13 Dopo l'uso chiudere bene il rubinetto (2) e quindi, dopo che la fiamma si è spenta, chiudere anche il volantino (5).

4.14 Osservare le distanze di sicurezza dai materiali infiammabili. Distanza dal soffitto e da ogni tipo di parete: almeno 1250 mm. **ALTRIMENTI** può esserci rischio d'incendio.

5. SOSTITUZIONE DELLA CARTUCCIA DEL GAS

5.1 Chiudere completamente il rubinetto (2) e il volantino (5). Assicurarsi che la fiamma sia spenta completamente e che non ci siano altre fiamme libere nelle vicinanze. La cartuccia va sostituita all'aperto e lontano da eventuali altre persone. Svitare la cartuccia dalla valvola e sostituire, se si presenta logora o comunque non integra, la guarnizione O-ring che garantisce la tenuta stagna del fornello. Avvitare correttamente posizionando la valvola direttamente sopra la filettatura della cartuccia; avvitare servendosi solo delle mani, secondo quanto descritto al punto 4.

6. MONTAGGIO ED USO DEL FORNELLO MEDIANTE COMBUSTIBILE LIQUIDO (Fig. 3 e 4)

6.1 Il fornello è fornito completo di tre ugelli. Quello contrassegnato con 36 è destinato alle cartucce di gas Primus, quello contrassegnato con 32 è destinato a benzina industriale e benzina senza piombo, mentre quello contrassegnato con 25 è destinato al kerosene, alla nafta o combustibili analoghi. Assicurarsi che sia montato l'ugello corretto.

6.2 Riempire il serbatoio Primus fino al livello indicato con combustibile liquido. N.B: Non superare mai il livello!

6.3 Controllare che il rubinetto (2) e il volantino (5) siano completamente chiusi (ruotare a fondo in senso orario).

6.4 Avvitare la pompa (21) alla bombola (20).

6.5 Avvitare con cautela il raccordo della pompa alla valvola fino a toccare la guarnizione O-ring della valvola stessa. Assicurarsi che sia avvitato correttamente. **N.B! Per avvitare il raccordo alla valvola servirsi esclusivamente delle mani. L'avvitamento eccessivo può danneggiare il raccordo.**

6.6 Posizionare il deflettore di calore (11) in posizione e ruotare i supporti (12) per il sostegno dei recipienti di cottura nella posizione corretta.

6.7 Pompate 20 volte, o anche di più se il combustibile è sotto il livello del serbatoio.

6.8 Posizionare il serbatoio su una superficie piana e stabile con la scritta "ON" della pompa rivolta verso l'alto.

6.9 Il fornello deve essere appoggiato su una superficie stabile e piana. **Verificare che il tubo sia orientato in direzione opposta al fornello e che non venga in contatto con la fiamma o il gas di scarico ad alta temperatura.** Controllare che il tubo non si attorcigli e che non sia schiacciato per evitare che si logori. Il serbatoio deve essere sufficientemente lontano dal calore sprigionato dal fornello.

6.10 Aprire la valvola per la chiusura agendo sul volantino (2) in senso antiorario in modo che il combustibile esca dall'ugello e raggiunga il tampone di preriscaldamento (23) fino a bagnarlo completamente (di norma un paio di secondi sono sufficienti; con kerosene e nafta, o in condizioni di tempo freddo o particolarmente ventoso, possono essere necessari dai 4 ai 6 secondi). Chiudere la valvola ruotandola in senso antiorario. Non usare più combustibile di quanto il tampone possa assorbire. Quando si utilizza benzina non è necessario impregnare completamente il tampone.

6.11 Controllare che non ci siano perdite dal rubinetto, dal volantino di regolazione, dalla pompa del combustibile, dall'ugello, dal tubo del combustibile, oppure dal tubo flessibile. **IN PRESENZA DI PERDITE, NON USARE IL FORNELLO.**

6.12 Accendere il tampone. **NON STARE CON LA FACCIA O ALTRE PARTI DEL CORPO SOPRA IL FORNELLO!** Il tampone di preriscaldamento brucia per circa 40 secondi utilizzando benzina industriale, un periodo più lungo con il kerosene o la nafta e se la temperatura

ambiente è molto bassa. Quando il combustibile comincia ad esaurirsi nel tampone, aprire il volantino (5) in senso antiorario. Se la fiamma è gialla e instabile significa che il preriscaldamento è stato insufficiente. Provare a richiudere il volantino (5) fino ad ottenere una fiamma blu e stabile e lasciare riscaldare per un periodo più lungo. Se, nonostante ciò, non è possibile usare il fornello alla massima potenza, bisogna spengerlo, riaccenderlo ed eseguire un preriscaldamento più lungo e con maggior combustibile. Il fornello deve essere protetto dal vento durante il preriscaldamento.

6.13 Il fornello va usato esclusivamente in posizione verticale. Non spostare mai un fornello già acceso. Prima che l'apparecchio sia caldo, o un brusco spostamento possono rendere instabile la fiamma.

6.14 Osservare le distanze di sicurezza dai materiali infiammabili. Distanza dal soffitto e da ogni parete: almeno 1250 mm. **DIVERSAMENTE** c'è rischio d'incendio.

6.15 Chiusura dell'apparecchio e scarico dell'impianto d'alimentazione. Capovolgere il serbatoio di 130° in modo che la scritta "OFF" della pompa sia rivolta verso l'alto. Quando la fiamma si è estinta e arriva soltanto aria dall'ugello, chiudere la valvola (2) ruotando completamente il volantino in senso orario. NB: il processo richiede almeno 1 minuto. Quando la fiamma si è estinta, chiudere anche il volantino di regolazione (5). Lasciar raffreddare il fornello prima di smontarlo.

6.16 **NON** riaccendere un fornello caldo. Le parti calde possono far evaporare parzialmente il combustibile liquido e provocare, quindi, fiamme violente al momento della successiva accensione.

7. MANUTENZIONE

7.1 In caso di utilizzo di combustibile liquido, pulire regolarmente l'ugello per un esercizio ottimale e senza intoppi. Se l'apparecchio è stato utilizzato per un periodo prolungato con combustibile liquido, o di cattiva qualità, è buona regola pulire bene il regolatore (30).

7.2 Pulizia dell'ugello.

Chiudere il rubinetto (2) e il volantino di regolazione (5), svitare la cartuccia (3) o la bombola (20).

7.3 L'ugello (10) può essere pulito sia da montato sull'apparecchio, sia da smontato.

7.4 Pulire l'ugello con l'ago in dotazione (26).

7.5 Rimontare l'ugello e avvitare con cura per garantire la tenuta stagna. Per una maggiore sicurezza, usare cartucce Primus e controllare la tenuta stagna con acqua saponata. Se si formano bollicine, l'avvitamento non è stato sufficiente. Avvitare nuovamente con cura.

7.6 Pulizia del regolatore.

Svitare il dado di bloccaggio (31), con l'utensile universale. Svitare il regolatore. Pulire con cautela, per esempio con l'unghia, le tre tracce presenti sulla punta del regolatore. Attenzione a non danneggiare le filettature. Verificare che la guarnizione O-ring sia integra e controllarne la tenuta dopo il montaggio. Per una maggiore sicurezza usare cartucce Primus e controllare la tenuta stagna con acqua saponata. Se si formano bollicine, l'avvitamento non è stato sufficiente.

7.7 Pompa del combustibile.

Se la pompa non mette in pressione la bombola del combustibile, tirare un poco la guarnizione di cuoio (25) e lubrificare con olio per cuoio della Primus (oppure con saliva o con un olio minerale). Svitare e tirare in fuori lo stelo della pompa. Lubrificare la guarnizione di cuoio fino a farla diventare morbida e flessibile. Se la pompa, ciononostante, non mette ancora in pressione la bombola, sostituire la guarnizione, oppure passare al punto 7.8.

7.8 Se la pompa non mette in pressione la bombola del combustibile, pulire e controllare la valvola di ritegno (29). Svitare la valvola di ritegno e asciugare la guarnizione di gomma, O-ring, con uno straccio. Rimontare la valvola di ritegno.

7.9 Controllo e manutenzione.

Verificare che le guarnizioni O-ring e le tenute siano sempre montate correttamente ed in buono stato. Eseguire i controlli ogni qualvolta si monta il fornello. Sostituire la guarnizione se danneggiata o logora. Le guarnizioni sono reperibili presso i rivenditori Primus.

7.10 Utensile universale

Da usarsi per il montaggio/smontaggio dell'ugello (10), del dado di bloccaggio (31), del fissaggio del tubo flessibile (32), della vite di fondo (33) e del fermo del tampone (34). Vedere fig. (5).

8. AVVERTENZE E RICERCA GUASTI

- Per questo fornello a gas OmniLite Ti utilizzare preferibilmente una bombola PRIMUS con miscela di gas propano/butano. È facile da usare, non richiede pre-riscaldamento, è efficace, pulita (niente fuliggine) e non richiede, in pratica, alcuna manutenzione.
- Anche la benzina industriale di buona qualità oppure PRIMUS PowerFuel, MSR® White Gas / Coleman® ha una combustione piuttosto pulita (anche se non quanto la cartuccia del gas) e lascia pochissimo residuo.
- Il fornello è dotato di filtro nel condotto flessibile di plastica d'aspirazione della pompa (35). Solitamente, questi filtri non richiedono attenzioni particolari, ma possono, se necessario, essere sostituiti. In caso di sostituzione del filtro al fissaggio del tubo (32), estrarre prima quello esistente con un utensile a punta (per esempio un ago), da infilarli nel filtro per poterlo estrarre. Attenzione a non danneggiare le superfici a tenuta stagna. Verificare che non vi siano perdite come indicato al punto 4.5.
- Qui di seguito sono riportate informazioni sulla potenza del fornello dotato di cartuccia del gas e su come aumentare, o mantenere, tale potenza

Fattori che influiscono sulla potenza della fiamma:

- Volume di gas nella cartuccia.
- Temperatura dell'aria.
- Temperatura del gas all'accensione.

Consigli per aumentare la potenza della fiamma in caso di tempo freddo

- Riscaldare la cartuccia mettendola, rivolta verso l'alto, a bagnomaria in un paio di centimetri d'acqua calda.
- Riscaldare la cartuccia con le mani, o sotto la giacca, prima di montarla sull'apparecchio.

Motivi probabili di un effetto ridotto

- Pressione bassa nella bombola del combustibile liquido
- L'ugello montato non è corretto
- Ugello o filtro dell'ugello sono ostruiti
- Tracce del regolatore occluse (vedere il precedente punto 7.5)
- Filtri del carburante ostruiti
- L'apparecchio non è protetto dal vento.

Possibili cause ed azioni correttive se la fiamma è gialla ed instabile

- Preriscaldamento insufficiente
- L'ugello montato non è quello corretto
- L'apparecchio non è protetto dal vento. Usare un paravento Primus Windscreen & Heatreflector, oppure sistemare il fornello in posizione protetta.
- Pressione eccessiva nel serbatoio dovuta a troppo pompaggio. Ridurre la potenza agendo sul volantino di regolazione.
- Utilizzo di combustibile vecchio o di qualità scadente.

9. ASSISTENZA E RIPARAZIONI

- 9.1 In caso di guasto non risolvibile con le presenti istruzioni, consegnare l'apparecchio a gas al vostro rivenditore di fiducia.
- 9.2 Non effettuare interventi diversi da quanto espressamente descritto o indicato.
- 9.3 Non apportare modifiche all'apparecchio: ciò lo renderebbe potenzialmente pericoloso.
- 9.4 Il fornello è omologato con il tubo montato in fabbrica; NON può essere sostituito con tubi diversi dall'originale.

10. RICAMBI E ACCESSORI

- 10.1 Usare solo ricambi e accessori originali Primus. Procedere al montaggio di ricambi e accessori con la massima cura evitando di toccare parti calde.
- 10.2 Cartuccia di ricambio: Per questo fornello utilizzare esclusivamente cartucce originali Primus 2202, 2206, 2207 con miscela propano/butano/isobutano. Bombe: per questo fornello utilizzare esclusivamente bombe per combustibile Primus 734120, 721950, 721960 e 732530.
- 10.3 I ricambi sono reperibili presso i rivenditori Primus, oppure presso l'importatore.
- 10.4 In caso di difficoltà nel reperire i ricambi o gli accessori desiderati, contattare l'importatore nazionale, vedi sito internet www.primusequipment.com.



3219 PRIMUS OmniLite Ti, Cocina

ISTRUCCIONES DE USO

IMPORTANTE: leer cuidadosamente estas instrucciones antes de conectar el aparato a la botella de gas o de combustible. Releerlas periódicamente para dominar a la perfección el funcionamiento del aparato. Conservarlas para uso futuro. **¡No seguir las instrucciones puede ocasionar graves daños personales y mortales!**

ATENCIÓN: este aparato consume oxígeno del aire y produce dióxido de carbono. Para evitar riesgos mortales, NO usarlo NI encenderlo en recintos sin ventilación, en locales cerrados, en tiendas de campaña, en vehículos, ni en otros recintos cerrados. **¡SÓLO ESTÁ DESTINADO PARA USO AL AIRE LIBRE!**

No cubrir NUNCA la cocina (la botella de gas o de combustible) con protecciones contra el viento, piedras u objetos similares que puedan ocasionar sobrecalentamiento o daños en la cocina y la botella de gas/combustible. El sobrecalentamiento de la botella de gas o de combustible contrae un peligro mortal.

COMBUSTIBLE Y PRESTACIONES

Boquilla 36 (0,36 mm)

- La botella de gas de un solo uso (mezcla de propano/butano/isobutano) de Primus es el combustible ideal para la OmniLite Ti. Es fácil de usar, normalmente sin precalentamiento, es efectiva, limpia (no produce hollín) y apenas exige mantenimiento y servicio.

Boquilla 32 (0,32 mm)

- La combustión de la bencina/gasolina industrial o PRIMUS PowerFuel, MSR® White Gas/Coleman® Fuel de buena calidad es limpia y apenas deja depósitos en el sistema de combustible.
- La gasolina usada para vehículos sólo deberá utilizarse en caso excepcional, puesto que contiene aditivos perniciosos para la salud y deja depósitos en el sistema de combustible.
- No usar nunca gasolina con plomo puesto que es pernicioso para la salud.

Boquilla 25 (0,25 mm)

- En todo el mundo puede obtenerse petróleo, pero la llama de este combustible produce más hollín; también es más difícil de precalentar y puede exigir una limpieza periódica.
- Puede emplearse combustible diesel cuando no se disponga de ningún otro combustible. La combustión produce hollín, el precalentamiento ocupa largo tiempo y exige limpieza periódica.

1. INTRODUCCIÓN

- 1.1 Este aparato de gas sólo está previsto para uso con las botellas de gas Primus 2202, 2206 y 2207 con mezcla de propano/butano/isobutano o las botellas Primus para bencina/gasolina industrial (PRIMUS PowerFuel, MSR® White Gas/Coleman® Fuel), gasolina sin plomo, petróleo y otros combustibles similares.
- 1.2 Puede ser peligroso intentar conectar este aparato de gas a otros tipos de cilindros o botellas de gas. Pueden producirse fugas, ocasionando daños personales o mortales.
- 1.3 Consumo de gas: 130 g/h / 6300 Btu/h / aprox. 1,8 kW a 1 bar de presión.
- 1.4 Tamaño de boquilla: 0,36 mm para botellas de gas Primus de un solo uso. Tamaño de boquilla: 0,32 mm para bencina/gasolina industrial (PRIMUS PowerFuel, MSR® White Gas/Coleman® Fuel) y gasolina sin plomo. Tamaño de boquilla: 0,25 mm para petróleo o combustible similar. La marca CE (EN 521) abarca solamente el funcionamiento con gas licuado.
- 1.5 Este aparato de gas cumple con los requisitos según EN 521, CAN1-11.2-M79 y CSA B140.9.2-1975.
- 1.6 **Vigilar siempre que la manguera esté apartada de la cocina y que no entre en contacto con la llama o los humos calientes.** Evitar también que se retuerce o quede expuesta a abrasión.

2. CONSEJOS PARA UN USO SEGURO

- 2.1 Cerciorarse de que las juntas del aparato y de la bomba (1) estén correctamente colocadas y en buen estado antes de conectar la botella de gas o el recipiente de combustible.
- 2.2 Este aparato sólo está destinado para uso al aire libre. Para evitar riesgos mortales, NO usarlo NI encenderlo en recintos sin ventilación, en locales

cerrados, en tiendas de campaña, en vehículos, ni en otros recintos cerrados.

- 2.3 Colocar el aparato de gas sobre una superficie plana.
- 2.4 Cerciorarse de que no haya ningún objeto combustible en las proximidades, tal como se describe en los puntos 4.8.4 y 6.8.6.
- 2.5 Al cambiar o conectar la botella de gas/recipiente de combustible, esta operación deberá realizarse en un lugar seguro, al aire libre, lejos de fuentes de incendio tales como llamas vivas, llamas piloto, estufas eléctricas, ni tampoco otras personas.
- 2.6 En caso de fugas en el aparato (olor de gas, gasolina, etc.), colocarlo inmediatamente en un lugar bien ventilado al aire libre y lejos de fuentes de incendio, a fin de poder examinar y detener la fuga. El control de las fugas de gas sólo deberá hacerse al aire libre. Un control de fugas jamás deberá efectuarse con una llama viva. Utilizar agua jabonosa.
- 2.7 No utilizar nunca un aparato con las juntas dañadas o desgastadas, ni tampoco un aparato con fugas, deteriorado o que funcione defectuosa-mente.
- 2.8 No dejar nunca un aparato encendido fuera del alcance de la vista.
- 2.9 No dejar que las cacerolas hiervan hasta quedar secas.

3. MANEJO DEL APARATO

- 3.1 No tocar las piezas calientes del aparato durante o su uso o después del mismo.
- 3.2 Almacenamiento: desenroscar la botella de gas/recipiente de combustible del aparato cuando éste no se utilice. La botella de gas deberá almacenarse en un lugar seco y seguro, donde no haya fuentes de calor en las proximidades.
- 3.3 No hacer un mal uso de este aparato de gas, ni emplearlo para fines que no sean los previstos.
- 3.4 Manejar el aparato con cuidado. Evitar que caiga al suelo.

4. MONTAJE Y USO DEL APARATO CON BOTELLA DE GAS

- 4.1 **Cuando se utilice gas, es extremadamente importante que el sistema de combustible esté completamente vacío de otros combustibles. De no ser así puede producirse una llamarada peligrosa (en el punto 6.8.7 hay instrucciones de como se vacía el sistema). Cerciorarse también de que se haya instalado la boquilla 36.**
- 4.2 Comprobar que la válvula de cierre (2) y el botón de regulación (5) estén completamente cerrados (girándolos hasta el tope en el sentido de las agujas de reloj).
- 4.3 Mantener la botella de gas (3) vertical cuando se vaya a conectar a la válvula.
- 4.4 Situar la válvula de forma que quede recta en la botella de gas (ver la fig. 2).
- 4.5 Roscar con precaución la botella de gas en la válvula hasta que toque el anillo tórico de la misma. Comprobar que se rosque de forma recta, sin deformar la rosca. **ATENCIÓN:** la válvula deberá roscarse en la botella sólo con la fuerza de la mano. Si el apriete es excesivo, la botella de gas puede dañarse.
- 4.6 Comprobar que el gas quede bien obturado. El control de fugas sólo está permitido realizarlo al aire libre y nunca deberá hacerse con una llama. Emplear agua jabonosa, que se aplicará en los puntos de unión y empalme del aparato de gas. En caso de fugas se forman burbujas en la zona en la que se escapa gas. Si hay motivos para creer que se producen fugas, o si se nota olor de gas, no encender el aparato. Desenroscar la botella de gas y devolver el aparato al detallista de Primus.
- 4.7 Girar las patas (los soportes del recipiente) (12) a su posición correcta en la protección contra viento (11).
- 4.8 La cocina queda entonces lista para uso.
- 4.9 El aparato deberá colocarse siempre sobre una superficie firme. Comprobar que la manguera esté completamente extendida y que se aparte de la cocina. La botella de gas deberá estar apartada del calor producido por la cocina.
- 4.10 Girar primero la válvula de cierre (2) y luego el botón de regulación (5) en el sentido opuesto a las agujas del reloj, y encender el quemador (4) inmediatamente.
- 4.11 Ajustar la llama girando el botón de regulación (5) o la válvula de cierre (2).
- 4.12 Sólo está permitido emplear el aparato en posición vertical. No trasladarlo mientras esté encen-

dido. Si se ha trasladado sin precaución, o antes de que se haya calentado, puede producirse una llama vacilante.

- 4.13 Después del uso cerrar primero la válvula (2), y cuando se haya apagado puede cerrarse también el botón de regulación (5).
- 4.14 La distancia a materiales combustibles debe ser segura. La mínima distancia al techo deberá ser de 1250 mm y la mínima a la pared, de 1000 mm. **¡DE LO CONTRARIO** puede producirse un incendio!

5. CAMBIO DE BOTELLA DE GAS

- 5.1 Cerrar completamente la válvula (2) y el botón de regulación (5). Comprobar que la llama esté apagada y que no haya nada encendido en las proximidades. La botella de gas deberá reemplazarse al aire libre, donde no haya otras personas. Desenroscar la botella separándola de la válvula y cambiar el anillo tórico, que hace de junta con la cocina, si estuviera roto o desgastado. Evitar roscar oblicuamente, colocando la válvula recta en la rosca de la botella de gas y roscándola sólo con la fuerza de la mano, tal como se ha descrito en el punto 4.

6. MONTAJE Y USO DEL APARATO CON COMBUSTIBLES LÍQUIDOS

- 6.1 El aparato se suministra con tres boquillas. La marcada 36 está prevista para la botella de gas Primus, la boquilla 32 para bencina/gasolina industrial, y la boquilla marcada 25 está destinada para petróleo, diesel o combustible similar. Asegurarse de que se haya instalado la boquilla correcta.
- 6.2 Llenar la botella de combustible Primus hasta la línea de llenado. **ATENCIÓN:** ¡nunca sobre esta línea!
- 6.3 Comprobar que la válvula de cierre (2) y el botón de regulación (5) estén completamente cerrados (girando hasta el tope en el sentido de las agujas del reloj).
- 6.4 Roscar la bomba (21) en la botella de combustible (20).
- 6.5 Roscar con cuidado la conexión giratoria de la bomba en la válvula, hasta que toque el anillo tórico de esta última. Comprobar que la conexión no se haya roscado oblicuamente. **ATENCIÓN: la conexión giratoria sólo deberá roscarse en la válvula con la fuerza de la mano. Si el apriete es excesivo, pueden producirse daños en la conexión giratoria.**
- 6.6 Girar las patas (los soportes del recipiente) (12) a su posición correcta en la protección contra viento (11).
- 6.7 Dar unas 20 emboladas con la bomba; más si el nivel del combustible es inferior a la línea de llenado en la botella de combustible.
- 6.8 Colocar la botella de combustible sobre una superficie firme con el texto "ON" de la bomba dirigido hacia arriba.
- 6.9 El aparato deberá estar siempre sobre una superficie firme. **Vigilar siempre que la manguera esté apartada de la cocina y que no entre en contacto con la llama o los humos calientes.** Evitar también que se retuerce o quede expuesta a abrasión. La botella de gas deberá estar apartada del calor producido por la cocina.
- 6.10 Abrir primero la válvula de cierre (2), y abrir luego el botón de regulación (5) girándolo media vuelta en sentido opuesto a las agujas del reloj, dejando que se proyecte combustible por la boquilla durante unos 2 segundos antes de volver a cerrar el botón. Si se usa petróleo o combustible diesel, o el tiempo es frío o ventoso, se precisa más combustible para el precalentamiento. Entonces dejar que salga combustible durante 4-6 segundos.
- 6.11 Controlar que el aparato no tenga fugas junto a la válvula de cierre, botón de regulación, la bomba de combustible, la boquilla, el tubo de combustible ni la manguera. **¡SI SE DESCUBREN FUGAS, NO UTILIZAR EL APARATO!**
- 6.12 Encender el fieltro de precalentamiento. **¡NO MANTENER LA CABEZA NI OTRAS PARTES DEL CUERPO SOBRE EL APARATO!** El fieltro de precalentamiento quemará entonces durante unos 40 s si se usa gasolina industrial/white gas, o más tiempo si se usa petróleo o diesel, o si la temperatura ambiente es baja. Cuando el combustible del fieltro empiece a terminarse, pero antes de que la llama se haya apagado completamente, abrir despacio el botón de regulación (5), (girándolo en el sentido opuesto a las agujas del reloj). Si el aparato quema con

una llama amarilla y vacilante, el precalentamiento ha sido insuficiente. Probar cerrando un poco el botón de regulación (5) hasta que se consiga una llama azul estable, y dejar que el aparato arda a baja potencia durante un rato, para que se caliente. Si a pesar de ello la cocina no pudiera emplearse a plena potencia, sólo queda la solución de apagarla y dejarla enfriar completamente, para realizar luego un precalentamiento más largo y con más combustible. Tener también en cuenta que la cocina debe estar protegida contra el viento al precalentarla.

- 6.13 Sólo está permitido emplear el aparato en posición vertical. No trasladarlo nunca mientras esté encendido. Si se ha trasladado sin precaución, o antes de que se haya calentado, puede producirse una llama vacilante.
- 6.14 La distancia a materiales combustibles debe ser segura. La mínima distancia al techo deberá ser de 1250 mm y la mínima a la pared, de 1000 mm. **¡DE LO CONTRARIO** puede producirse un incendio!
- 6.15 Cierre del aparato y vaciado del sistema de combustible. Girar el recipiente de combustible 180° de modo que el texto "OFF" en la bomba de combustible señale hacia arriba. Cuando la llama se haya apagado y sólo salga aire por la boquilla, cerrar la válvula de cierre (2) (girándola hasta el tope en el sentido de las agujas del reloj). Nota: esta operación ocupa alrededor de 1 minuto. Cuando la cocina se haya apagado, cerrar también el botón de regulación (5). Dejar que el aparato se enfríe antes de desmontarlo.
- 6.16 NO volver a encender un aparato caliente. Las piezas calientes pueden evaporar el combustible líquido y puede producirse una gran llama al intentar encenderlo.

7. MANTENIMIENTO

- 7.1 Al usar combustible líquido, para un funcionamiento óptimo y sin problemas la boquilla deberá limpiarse periódicamente. Si el aparato se utiliza durante un periodo largo con combustible líquido o de baja calidad, es preciso limpiar el husillo de regulación (30).
- 7.2 **Limpieza de la boquilla.** Cerrar la válvula (2) y el botón de regulación (5), y desenroscar la botella de gas (3) o de combustible (20).
- 7.3 La boquilla (10) puede limpiarse montada o desmontada del aparato.
- 7.4 Limpiar la boquilla usando la aguja de limpieza incluida en el aparato (26).
- 7.5 Volver a colocar la boquilla y roscarla bien para que la unión obture completamente. Para más seguridad, usar botellas de gas Primus; controlar la unión con agua jabonosa. La unión no es lo suficientemente hermética si se producen burbujas.
- 7.6 **Limpieza del husillo de regulación** Desenroscar la tuerca de bloqueo (31) usando la multiherramienta. Desenroscar y quitar el husillo. Limpiar con precaución, por ej., con la uña, las tres ranuras a lo largo de la punta del husillo. Obrar con cuidado para no dañar las roscas del husillo. Asegurarse de que el anillo tórico del husillo no haya sufrido daños y comprobar la hermeticidad después de volver a hacer el montaje. Para mayor seguridad, usar una botella de gas Primus y controlar la unión con agua jabonosa caliente. La unión no es lo suficientemente hermética si se producen burbujas.
- 7.7 **Bomba de combustible** Si la bomba no incrementa la presión de la botella, extender algo la junta de cuero (25) y lubricarla con aceite de cuero Primus (saliva u otro aceite mineral). Desenroscar y extraer el vástago de la bomba. Lubricar con aceite la junta de cuero hasta que sea suave y adaptable. Si a pesar de esto la bomba no somete a presión la botella de combustible, reemplazar la junta de cuero o pasar al punto 7.8.
- 7.8 Si la bomba no puede mantener la presión de la botella, limpiar y controlar la válvula de retención (29). Desmontar esta válvula y comprobar que el anillo tórico esté limpio. Volver a montar la válvula de retención.
- 7.9 **Control y mantenimiento** Comprobar siempre que las juntas y anillos tóricos estén correctamente colocadas y en buen estado. Esto deberá controlarse cada vez que se monte el aparato. Reemplazar el anillo tórico si estuviera dañado o desgastado. En el establecimiento de venta de Primus más cercano pueden adquirirse anillos tóricos nuevos.

7.10 Multiherramienta

Se utiliza para el desmontaje/montaje de la boquilla (10), tuerca de bloqueo (31), sujeción de la manguera (32), tornillo del fondo (33) y bloqueo del fieltro de precalentamiento (34). Ver la fig. (5).

8. CONSEJOS Y LOCALIZACIÓN DE AVERÍAS

El combustible ideal para la cocina OmniLite Ti son las botellas de gas Primus de un solo uso (mezcla de propano/butano). Son fáciles de usar, normalmente no exigen precalentamiento, y son efectivas y limpias (no producen hollín), además de no precisar casi mantenimiento alguno. La combustión de la bencina/gasolina industrial PRIMUS PowerFuel, MSR® White Gas/Coleman® Fuel de buena calidad es limpia –aunque no tanto como las botellas de gas de un solo uso–, y apenas deja depósitos en el sistema de combustible. La cocina va provista de filtro de combustible en la manguera de plástico de la bomba (35). Normalmente estos filtros no exigen atención. No obstante pueden cambiarse cuando sea necesario. Al cambiar el filtro en la sujeción de manguera (32) desmontar el filtro antiguo usando un instrumento puntiagudo (por ej. una aguja), que se introduce por el filtro para poder quitarlo haciendo palanca. Operar con cuidado con las superficies de junta. Hacer un control de fugas según el punto 4.5. Abajo incluimos información importante sobre la potencia térmica de la cocina usada con botella de gas, y sugerencias sobre cómo puede incrementarse (mantener) su poder térmico.

Factores que influyen sobre el poder térmico:

- Volumen de gas en la botella
- Temperatura del aire ambiente
- Temperatura inicial del gas

Sugerencias para incrementar el poder térmico en tiempo frío:

- Precalentar la botella colocándola vertical, sumergida en alrededor de 2,5 cm de agua caliente.
- Precalentar el recipiente de gas con las manos o dentro de la chaqueta antes de conectarlo al aparato.

Posibles causas de poco poder térmico

- Presión demasiado baja en botella de combustible líquido
- Se ha montado una boquilla errónea
- Boquilla o filtro de boquilla obstruidos
- Ranuras de boquilla obstruidas (ver el punto 7.5 arriba)
- Filtros de combustible obstruidos
- El aparato no está protegido contra el viento, etc.

Posibles causas de que el aparato quemara llama vacilante y amarilla

- Precalentamiento insuficiente.
- Boquilla errónea.
- El aparato no está protegido contra el viento, etc. Usar Primus Windscreen & Heatreflector o colocar la cocina en un lugar protegido.
- Demasiada presión en la botella de combustible debido a un bombeado excesivo. Reducir la potencia con el botón de regulación.
- Se usa combustible viejo o de mala calidad.

9. SERVICIO Y REPARACIONES

- 9.1 Si no fuera posible corregir algún fallo siguiendo estas instrucciones, dirigirse con el aparato hasta el establecimiento de venta de Primus más cercano.
- 9.2 No intentar nunca hacer tareas de mantenimiento y reparación que no sean las indicadas.
- 9.3 No hacer nunca modificaciones en el aparato, puesto que podría ser peligroso.
- 9.4 La cocina ha sido aprobada con una manguera montada en fábrica, y **NO** está permitido reemplazarla por otra distinta de la original.

10. REPUESTOS Y ACCESORIOS

- 10.1 Emplear sólo repuestos y accesorios originales Primus. Obrar con precaución al montarlos y evitar entrar en contacto con piezas calentadas.
- 10.2 Botella de recambio: usar sólo botellas de gas Primus 2202, 2206, 2207 con mezcla de propano/butano/isobutano en este aparato. Botellas de combustible: usar sólo botellas de gas Primus 734120, 721950, 721960 y 732530 en este aparato.
- 10.3 Pueden encontrarse repuestos en el establecimiento de venta de Primus o, como alternativa, en la empresa del importador.
- 10.4 Si resultara difícil conseguir repuestos o accesorios, póngase en contacto con el importador en su país, vea www.primusequipment.com

IMPORTANTE: Leia as instruções atentamente e familiarize-se com o aparelho antes de ligar o reservatório de gás ou a garrafa de combustível líquido. Consulte periodicamente as instruções para não se esquecer do funcionamento do aparelho. Guarde as instruções para futura utilização: **Não seguir as presentes instruções pode ocasionar lesões pessoais graves ou a morte!**

ATENÇÃO: Este aparelho consome oxigénio e produz dióxido de carbono. NÃO o use, nem o acenda, em espaços não ventilados, no interior de casa, dentro de tendas, de veículos, nem de qualquer outro espaço fechado, para não pôr a vida em risco. **APENAS PARA USO EXTERIOR.**

NUNCA cubra o fogão (reservatório de gás ou a garrafa de combustível líquido) com protecção de vento, com pedras, nem de qualquer outro modo similar, a fim de não provocar sobre-aquecimento nem danificar o fogão ou o reservatório de gás/garrafa de combustível líquido. O sobre-aquecimento do reservatório de gás ou da garrafa de combustível líquido pode ser, deste modo, extremamente perigoso.

COMBUSTÍVEL E DESEMPENHO

Bocal 36 (0,36 mm)

- O reservatório descartável Primus para gás (mistura de propano/butano/isobutano) é a forma ideal de alimentação de combustível nos fogões OmniLite Ti. É fácil de usar, normalmente não tem pré-aquecimento, é eficiente, limpo (não produz fuligem), quase não carece de manutenção nem de assistência técnica.

Bocal 32 (0,32 mm)

- A benzina de desengorduramento de boa qualidade, ou PRIMUS PowerFuel, MSR, White Gas/Coleman, Fuel, tem uma combustão limpa e quase não deixa depósito no sistema de combustão.
- A gasolina para veículos só excepcionalmente deve ser usada, uma vez que contém aditivos nocivos para a saúde e deixa resíduos no sistema de combustão.
- Para evitar riscos para a saúde só deve ser usada gasolina sem chumbo.

Bocal 25 (0,25 mm)

- O querosene existe em todo o mundo mas arde com emissão de fuligem, o pré-aquecimento também é mais difícil e pode exigir limpeza regular.
- O combustível diesel pode ser usado quando não houver outro combustível disponível. Arde com emissão de fuligem, o pré-aquecimento é moroso e exige limpeza regular.

1. INTRODUÇÃO

- Este aparelho é exclusivamente destinado a reservatórios Primus 2206, 2202 e 2207 de mistura de gás propano/butano/isobutano, ou a garrafas Primus de combustível líquido, contendo benzina de desengorduramento (MSR, White Gas/Coleman, Fuel), gasolina sem chumbo, querosene, ou combustível similar.
- Pode ser perigoso tentar ligar a este aparelho outros tipos de reservatórios de gás, ou de garrafas de combustível líquido. Podem ocorrer fugas capazes de provocar lesões pessoais ou a morte.
- Consumo de gás: 130 g/h / 6300 Btu/h / cerca de 1,8 kW à pressão de 1 bar.
- Dimensão de bocal: 0,36 mm, para reservatório descartável Primus. Dimensão de bocal: 0,32 mm, para benzina de desengorduramento (PRIMUS PowerFuel, MSR, White Gas/Coleman, Fuel) e gasolina sem chumbo. Dimensão de bocal: 0,25 mm, para querosene ou combustível similar.
- Este aparelho de gás cumpre as especificações das normas EN 521, CAN1-11.2-M79 e CSA B140.9.2-1975. A indicação CE (EN 521) refere-se exclusivamente ao uso de gás líquido.
- Verifique sempre se o tubo está afastado do fogão e não há o perigo de entrar em contacto com a chama ou com os escapes quentes.** Evite que o tubo fique torcido ou sujeito a desgaste.

2. INDICAÇÕES DE SEGURANÇA

- Verifique se os elementos vedantes (1) do aparelho e da bomba estão correctamente colocados e em bom estado, antes de ligar o reservatório de gás ou a garrafa de combustível líquido.
- Este aparelho destina-se apenas a uso exterior. NÃO o use, nem o acenda, em espaços não ventilados, no interior de casa, dentro de tendas, de

veículos, nem de qualquer outro espaço fechado, para não pôr a vida em risco.

- Coloque o aparelho numa superfície plana.
- Assegure-se de que não existem materiais inflamáveis na proximidade, conforme a indicação dos números 4.8.6 e 6.8.6.
- A substituição ou ligação do reservatório de gás/garrafa de combustível líquido deve ser feita num espaço bem ventilado ao ar-livre que não fique perto de qualquer fonte de ignição, tal como chama descoberta, chama-piloto ou aquecedor eléctrico, e longe da presença de outras pessoas.
- Se o aparelho tiver qualquer fuga (cheiro a gás, a gasolina, etc.) coloque-o imediatamente num espaço bem ventilado ao ar-livre que não fique perto de qualquer fonte de ignição, onde a origem da fuga possa ser descoberta e vedada. A inspecção de qualquer fuga só deverá ser feita ao ar-livre. Tal inspecção nunca deverá ser feita através da utilização de uma chama. Use por ex. uma solução saponária.
- Não utilize nunca um aparelho com elementos vedantes danificados ou gastos, nem com fugas, danificado, ou que funcione mal.
- Nunca deixe um aparelho de gás aceso sem vigilância.
- Evite a fervura nos utensílios de cozinha até à evaporação total.

3. MANUSEAMENTO DO APARELHO

- Tenha o cuidado de não tocar nas superfícies quentes do aparelho enquanto estiver a ser utilizado, ou pouco tempo depois da sua utilização.
- Armazenamento:** Desaperte o reservatório de gás/garrafa de combustível líquido separando-o/a do aparelho quando não estiver a ser usado. O reservatório de gás deve ser guardado em local seco e seguro, longe de fontes de calor.
- Não faça uso abusivo do aparelho, nem o utilize para fins diferentes daqueles para que foi destinado.
- Tenha cuidado ao manusear o aparelho. Não o deixe cair.

4. MONTAGEM E UTILIZAÇÃO DO APARELHO COM RESERVATÓRIO DE GÁS

- É extremamente importante que o sistema de combustão não contenha qualquer outro combustível antes da utilização do gás. Em caso contrário pode brotar uma chama de efeitos perigosos (no número 6.8.7 vem a indicação de como se faz a exaustão do sistema). Verifique igualmente se o bocal 36 se encontra instalado.**
- Verifique se a válvula de retenção (2) e o botão de regulação (5) estão completamente fechados (rodando-o completamente no sentido dos ponteiros do relógio).
- Mantenha o reservatório de gás (3) na vertical quando o ligar à válvula.
- Coloque a válvula a direito no reservatório de gás (ver Fig. 2).
- Enrosque cuidadosamente o reservatório na válvula até entrar em contacto com o anel-O. Tenha o cuidado de não enroscar o reservatório de gás de forma enviesada. **ATENÇÃO!** O reservatório de gás deve ser enroscado, à mão, na válvula. Se apertar com demasiada força pode danificar o reservatório de gás.
- Verifique se o gás ficou totalmente vedado. Tal inspecção do gás deve ser feita sempre no exterior. A existência de fugas nunca deverá ser inspeccionada através de chama. Use uma solução saponária, aplicando-a nas juntas e conexões do aparelho. Se houver fugas formam-se bolas de sabão no local da fuga. Se tiver razões para pensar que existe fuga, ou se cheirar a gás, não acenda o aparelho. Desaperte o reservatório de gás e entregue o aparelho ao revendedor Primus.
- Rode os pés de apoio (grade de apoio dos recipientes) (12) de modo a ficarem em posição correcta na protecção de vento (11).
- O fogão está agora em condições de ser utilizado.
- O aparelho deve ficar sempre apoiado numa superfície firme e plana. Assegure-se de que o tubo está completamente estendido e afastado do fogão. O reservatório de gás deve ficar afastado do calor do fogão.
- Rode primeiro a válvula de retenção (2) e depois o botão de regulação (5) no sentido contrário ao dos ponteiros do relógio e acenda o combustor (4).
- Ajuste a chama rodando o botão de regulação (5) e a válvula de retenção (2).
- O aparelho só deve ser utilizado quando estiver perfeitamente na vertical. Nunca mude de posição um aparelho aceso. A chama pode apresentar aspecto tremulante antes do aparelho estar quente,

ou quando este é removido de forma demasiado brusca.

- Após a utilização feche primeiro a válvula de retenção (2) e quando a chama se extinguir feche também o botão de regulação.
- Deve manter-se uma distância conveniente em relação a materiais inflamáveis. A distância em relação ao tecto deve ser de, pelo menos, 1250 mm e igualmente em relação à parede de, pelo menos, 1000 mm, **SE ASSIM NÃO FOR há risco de incêndio.**

5. SUBSTITUIÇÃO DO RESERVATÓRIO DE GÁS

- Feche completamente a válvula de retenção (2) e o botão de regulação (5). Assegure-se de que a chama está extinta e que não se encontra próximo de qualquer outra chama. O reservatório de gás deve ser mudado no exterior e longe de outras pessoas. Desenrosque o reservatório da válvula e mude o anel-O que veda o fogão se estiver danificado ou gasto. Evite enrosçar enviesadamente, ajustando a válvula com precisão à rosca do reservatório de gás, utilizando apenas força manual, de acordo com a indicação contida no número 4.

6. MONTAGEM E UTILIZAÇÃO DO APARELHO COM COMBUSTÍVEL LÍQUIDO

- O aparelho é fornecido com três bocais. O bocal com a indicação 36 destina-se a reservatório de gás, o bocal 32 a benzina de desengorduramento e gasolina sem chumbo, enquanto que o bocal com a indicação 25 se destina a querosene, diesel, ou combustível similar. Verifique se foi instalado o bocal adequado.
- Encha a garrafa Primus até à linha de demarcação com combustível líquido. **ATENÇÃO!** Nunca ultrapasse a demarcação!
- Verifique se a válvula de retenção (2) e o botão de regulação (5) estão completamente fechados (rodando-o completamente no sentido dos ponteiros do relógio).
- Enrosque a bomba (21) na garrafa de combustível líquido (20).
- Enrosque a ligação giratória da bomba na válvula até tocar no anel-O nesta existente. Tenha o cuidado de não enroscar enviesadamente a ligação giratória. **ATENÇÃO! A ligação giratória deve ser enroscada na válvula à mão! Se for apertada com muita força pode ficar danificada.**
- Rode os pés de apoio (grade apoio dos recipientes) (12) de modo a ficarem em posição correcta na protecção de vento (11).
- Dê à bomba cerca de 20 vezes, ou mais se o nível do combustível estiver abaixo da demarcação existente na garrafa de combustível líquido.
- Coloque a garrafa de combustível líquido numa superfície plana e firme, com a indicação "ON", existente na bomba de combustível, virada para cima. O aparelho deve ficar sempre apoiado numa superfície firme **Verifique sempre se o tubo está afastado do fogão e não há o perigo de entrar em contacto com a chama ou com os escapes quentes.** Evite que o tubo fique torcido ou sujeito a desgaste. A garrafa de combustível líquido deve ficar afastada do calor do fogão.
- Abra primeiro a válvula de retenção (2). Depois, abra o botão de regulação (5) girando-o meia volta no sentido contrário ao dos ponteiros do relógio e deixe escorrer o combustível do bocal durante cerca de 2 segundos, antes de voltar a fechar o botão. Se for utilizado querosene ou diesel, ou se o tempo estiver demasiado frio ou ventoso, será necessário mais combustível para o pré-aquecimento. Nesse caso, deixe sair combustível durante 4-6 segundos.
- Verifique se o aparelho não tem fugas através da válvula de retenção, do botão de regulação, da bomba de combustível, do bocal, do tubo de combustível ou da mangueira. **Se encontrar alguma fuga NÃO USE O APARELHO!**
- Acenda o feltro de pré-aquecimento. **NÃO MANTENHA A CABEÇA NEM QUALQUER OUTRA PARTE DO CORPO POR CIMA DO APARELHO.** O feltro de pré-aquecimento levará a arder cerca de 40 segundos, sendo usada benzina de desengorduramento/white gas, ou durante mais tempo se for usado querosene ou diesel, ou se a temperatura ambiente for baixa. Quando o combustível está a acabar no feltro de pré-aquecimento, mas antes de a chama se apagar completamente, o botão de regulação (5) deverá ser aberto lentamente (girando-o no sentido contrário ao dos ponteiros do relógio). Se o aparelho apresentar uma chama amarela e instável, é porque o pré-aquecimento foi insuficiente. Experimente girar um pouco para trás o botão de regulação

(5), até que a chama fique azul e estável, e deixe o aparelho funcionar a baixa potência durante uns instantes até aquecer. Se mesmo assim não for possível fazer funcionar o fogão com potência plena, será necessário fechá-lo, deixar que arrefeça completamente e depois voltar a acendê-lo, desta vez com pré-aquecimento mais longo e com mais combustível. Não esquecer que o fogão deve estar protegido do vento durante o processo de pré-aquecimento.

- 6.13 O aparelho só deve ser utilizado quando estiver perfeitamente na vertical. Nunca mude de posição um aparelho aceso. A chama pode apresentar aspecto tremulante antes do aparelho estar quente, ou quando este é removido de forma demasiado brusca.
- 6.14 Deve manter-se uma distância conveniente em relação a materiais inflamáveis. A distância em relação ao tecto deve ser de, pelo menos, 1250 mm e igualmente em relação à parede de, pelo menos, 1000 mm. **SE ASSIM NÃO FOR há risco de incêndio.**
- 6.15 Fechar o aparelho e vazá-lo de combustível. Rode o reservatório de combustível 180° de modo a que a indicação "OFF", existente na bomba de combustível, virada para cima. Quando a chama se apagar e sair apenas ar através do bocal, feche a válvula de retenção (2) (rodando o botão de regulação até ao máximo no sentido dos ponteiros do relógio). Note bem: Este processo levará cerca de 1 minuto. Depois de o fogão se apagar feche também o botão de regulação (5). Deixe arrefecer o aparelho antes de o desmontar.
- 6.16 Não reacenda o aparelho enquanto estiver quente. As peças quentes podem sublimar o combustível provocando uma grande labareda se tentar reacender o aparelho.

7. MANUTENÇÃO

- 7.1 Quando utilizar combustível líquido, deverá limpar regularmente o bocal para que funcione bem e sem problemas. Se o aparelho for usado durante um período longo com combustível líquido, ou com qualquer outro tipo de combustível de má qualidade, o fuso de regulação (30) terá que ser limpo.
- 7.2 **Limpeza do bocal.**
Feche a válvula de retenção (2) e o botão de regulação completamente (5) e desenrosque o reservatório de gás (3) ou a garrafa de combustível líquido (20).
- 7.3 O bocal (10) tanto pode ser limpo montado no aparelho como depois de desmontado.
- 7.4 Limpe o bocal com a agulha de limpeza que acompanha o aparelho (26).
- 7.5 Volte a colocar o bocal enroscando-o cuidadosamente, de forma a vedar a junção por completo. Para maior segurança, use o reservatório de gás Primus e verifique a junção através de uma solução saponária quente. A junção não está suficientemente vedada se se formarem bolas de sabão.
- 7.6 **Limpeza do fuso de regulação.**
Desenrosque a porca de retenção (31) com a ferramenta polivalente. Retire a o fuso. Limpe cuidadosamente, por ex. com a agulha, as três ranhuras ao longo da ponta do fuso. Tenha o cuidado de não danificar as roscas do fuso. Assegure-se de o anel-O do fuso não está danificado e verifique se a junção veda bem depois de voltar a montar. Para maior segurança, utilize o reservatório de gás Primus e verifique a junção através de uma solução saponária quente. A junção não está suficientemente vedada se surgirem bolas de sabão.
- 7.7 **Bomba de combustível**
Se a bomba não exercer pressão sobre a garrafa de combustível líquido, estique um pouco a guarnição de couro (25) e lubrifique-a com óleo de couro (com saliva ou com óleo de base mineral). Desenrosque e puxe o êmbolo da bomba. Lubrifique com óleo a guarnição de couro até ficar macia e maleável. Se mesmo assim a bomba não exercer pressão sobre a garrafa de combustível, substitua a guarnição de couro ou passe ao número 7.8.
- 7.8 Se a bomba não manter a pressão na garrafa, limpe e verifique o estado da válvula de retenção (29). Desmonte a válvula de retenção e limpe guarnição de borracha com um pano. Volte a montar a válvula de retenção.
- 7.9 **Controlo e manutenção**
Assegure-se sempre de que as peças vedantes e os anéis-O estão correctamente colocados e em bom estado. Tal deve ser verificado sempre que o aparelho é montado. Mude o anel-O se estiver danificado ou gasto. Há anéis-O novos à venda no revendedor Primus.
- 7.10 **Ferramenta polivalente**
Usa-se para desmontar e montar o bocal (10), a

porca de retenção (31), a fixação da mangueira (32), o parafuso do fundo (33) e fecho do feltro de pré-aquecimento (34). Ver a fig. (5).

8. CONSELHOS E SOLUÇÃO DE DIFICULDADES

- O reservatório descartável Primus para gás (mistura de propano/butano) é a forma ideal de alimentação de combustível nos fogões OmniLite Ti. É fácil de usar, não exige pré-aquecimento, é eficiente, limpo (não produz fuligem), quase não carece de manutenção nem de assistência técnica.
- A benzina de desengorduramento de boa qualidade, ou PRIMUS PowerFuel, MSR, White Gas/Coleman, Fuel, tem uma combustão limpa, embora não tanto como a dos reservatórios descartáveis Primus para gás, nem deixa depósito no sistema de combustão.
- O fogão possui um filtro de combustível no tubo de plástico da bomba (35). Estes os filtros, normalmente, não exigem cuidados especiais. Porém, podem ser substituídos quando é necessário. Para substituir o filtro da fixação da mangueira (32), desmonte o filtro antigo com um objecto pontiagudo (por ex. uma agulha), que o obrigue a sair. Tenha cuidado com as superfícies vedantes. Faça um teste de fugas de acordo com o número 4.5.
- Ver abaixo informações importantes sobre a potência do fogão com reservatório de gás e sugestões sobre modo de elevar (ou manter) esse efeito.

Os factores que determinam a potência são os seguintes:

- O volume de gás no reservatório
- A temperatura do ar circundante
- A temperatura inicial do gás

Sugestões para obter determinado efeito com tempo frio:

- Aquecimento prévio do reservatório de gás com Heat Pad
- Aquecimento prévio do reservatório de gás colocando-o numa polegada (2,5 cm) de água quente
- Aquecimento prévio do reservatório de gás entre as mãos ou debaixo do casaco antes de o ligar ao aparelho

Razões prováveis de o aparelho funcionar com potência reduzida

- Pressão demasiado baixa na garrafa de combustível líquido
- Bocal montado não é o adequado
- Bocal, ou filtro do bocal, entupido
- Ranhura do fuso obstruída (ver o número 7.5 acima)
- Filtros de combustível entupidos
- O aparelho não está protegido do vento, etc.

Razões prováveis de o aparelho funcionar com chama instável e amarelada

- Aquecimento prévio insuficiente
- Bocal inadequado
- O aparelho não está protegido do vento, etc. Use Primus Windscreen & Heatreflector ou coloque o fogão em local protegido.
- Pressão demasiado alta na garrafa de combustível derivada de bombeamento excessivo. Baixe a potência com o botão de regulação.
- Combustível velho ou de má qualidade

9. ASSISTÊNCIA TÉCNICA E REPARAÇÃO

- 9.1 Se não conseguir rectificar qualquer avaria através das presentes instruções deve entregar o aparelho ao revendedor Primus.
- 9.2 Não tente fazer operações de manutenção ou de reparação que não venham prescritas nas instruções.
- 9.3 Não introduza modificações no aparelho, a fim de não tornar perigosa a sua utilização.
- 9.4 O fogão foi aprovado com uma mangueira montada na fábrica que NÃO deve ser substituída por outra de tipo diferente do original.

10. PEÇAS SOBRESSELENTES E ACESSÓRIAS

- 10.1 Use apenas as peças sobresselentes e acessórios originais de marca Primus. Proceda com cuidado ao montar peças sobresselentes e acessórios, evitando pegar em peças quentes.
- 10.2 Troca de reservatórios: Use apenas reservatórios de gás Primus 2206, 2202 e 2207, contendo a mistura de gás propano/butano/isobutano própria para este aparelho.
- Garrafas de combustível líquido: Use apenas garrafas de combustível líquido Primus 734120, 721950, 721960 e 732530 adequadas a este aparelho.
- 10.3 As peças sobresselentes estão disponíveis através dos revendedores Primus ou do importador.
- 10.4 Em caso de dificuldade na obtenção de peças sobresselentes ou acessórios, é favor entrar em contacto com o importador do seu país. Consultar www.primusequipment.com



DŮLEŽITÉ: Před nasazením přístroje na kartuši nebo nádobu s tekutým palivem si pečlivě prostudujte tento návod. Pravidelně si jej procházejte, abyste se seznámili s provozem přístroje, a pro případ potřeby si jej uschovejte. **Pokud budete postupovat v rozporu s tímto návodem, hrozí vážné zranění či smrt!**

POZOR: Tento přístroj spotřebovává vzduch (kyslík) a produkuje oxid uhličitý. Přístroj **NIKDY** nezapalujte ani nepoužívejte v nevětraných místech, místnostech, stanech nebo vozidlech či jiných uzavřených prostorách, abyste se vyhnuli ohrožení života.

Pouze pro venkovní použití!

Vařič (kartuši nebo nádobu s tekutým palivem) **NIKDY** nezakrývejte protivětrnou zástěnou, kameny či jinak. Mohlo by dojít k přehřátí nebo poškození vařiče nebo kartuše/nádoby či tekutým palivem. Přehřívání kartuše nebo nádoby s tekutým palivem tímto způsobem je extrémně nebezpečné.

PALIVA A VÝKON

Tryska 36 (0,36 mm)

- Ideálním palivem pro vařič OmniLite Ti je kartuše Primus (směs obsahující propan/butan/isobutan). Palivo se snadno používá, běžně nevyžaduje nastříkávání a je účinné, šetrné k přírodě a čisté (žádné saze). Vyžaduje minimální údržbu a čištění.

Tryska 32 (0,32 mm)

- Velmi kvalitní čistý plyn (PRIMUS PowerFuel, MSR® White Gas/Coleman® Fuel) umožňuje čisté spalování a v palivovém systému nezanechává prakticky žádné usazeniny.
- Benzin do vozidel lze použít jen ve výjimečných případech, neboť obsahuje aditiva, která škodí zdraví a zanechávají usazeniny v palivovém systému.
- Ze zdravotních důvodů nikdy nepoužívejte olivnatý benzin.

Tryska 25 (0,25 mm)

- I když je petrolej celosvětově dostupný, vytváří více sazí, obtížně se nastříkuje a vyžaduje časté čištění.
- Naftu lze použít, pokud není k dispozici žádné jiné palivo. Nafta hoří plamenem, který produkuje hodně sazí, dlouho se předehrává a vyžaduje časté čištění.

1. ÚVOD

- 1.1 Tento přístroj je určen k používání pouze s kartušemi Primus 2202, 2206 a 2207, které obsahují směs plynů propan/butan/isobutan, nebo s Primus nádobami s tekutým palivem na čistý plyn (PRIMUS PowerFuel, MSR® White Gas/Coleman® Fuel), bezolovnatý benzin, parafín a další obdobná paliva.
- 1.2 Jakýkoli pokus o použití jiného typu kartuší nebo nádob s tekutým palivem může být nebezpečný. Může dojít k úniku s následkem zranění či smrti.
- 1.3 Spotřeba plynu: 130 g/h / 6 300 Btu/h (přibližně 2,3 kW) při tlaku 1 bar. (Kanada: Plyn: 8 733 Btu/h, čistý plyn/petrolej 6 250 Btu/h)
- 1.4 Velikost trysky: 0,36 mm u jednorázových kartuší Primus. Velikost trysky: 0,32 mm u čistého plynu (PRIMUS PowerFuel, MSR® White Gas/Coleman® Fuel) a bezolovnatého benzínu. Velikost trysky: 0,25 mm u petroleje a obdobných paliv.
- 1.5 Tento přístroj splňuje normy EN 521, CAN1-11.2-M79 a CSA B140.9.2-1975. Schválení CE (EN 521) se vztahuje jen na plyn.
- 1.6 **Vždy zkontrolujte, že hadička mezi kartuší a přístrojem je narovnaná a nemůže přijít do kontaktu s plamenem nebo horkými plyny.** Zkontrolujte, že hadička není zkroutená nebo opotřebená.
- 2. BEZPEČNOSTNÍ INFORMACE (obr. 1)**
- 2.1 Před nasazením kartuše nebo nádob s tekutým palivem zkontrolujte, že jsou těsně

- přístroje a pumpy (1) na správném místě a v dobrém stavu.
- 2.2 Přístroj je určen pouze pro venkovní použití. Přístroj NIKDY nezapalujte ani nepoužívejte v nevětraných místech, místnostech, stanech nebo vozidlech či jiných uzavřených prostorech.
- 2.3 Přístroj provozujte pouze na rovném povrchu.
- 2.4 Zkontrolujte, zda se v blízkosti přístroje nenacházejí hořlavé materiály nebo rozlité palivo (viz 4.8.6 a 6.8.6).
- 2.5 Kartuši/nádobu s tekutým palivem vždy nasaďte nebo vyměňte na bezpečném místě. A to pouze venku, daleko od možných zdrojů vzplanutí, jako jsou otevřené ohně, zapalovače vařičů a elektrické požáry a také v bezpečné vzdálenosti od ostatních lidí.
- 2.6 Pokud dojde u přístroje k úniku plynu (ucítíte plyn, čistý plyn atd.), okamžitě vařič přeneste ven na dobře větrané místo, které je dostatečně daleko od možných zdrojů vzplanutí a kde může být únik identifikován a zastaven. Také kontrola řádného fungování přístroje s nasazenou kartuší by se měla provádět pouze venku. NIKDY únik nezjišťujte pomocí otevřeného plamene, použijte mýdlovou vodu.
- 2.7 Přístroj nikdy nepoužívejte, pokud je těsnění poškozeno nebo opotřebované. Nikdy nepoužívejte poškozený, unikající nebo nesprávně fungující přístroj.
- 2.8 Po zapálení přístroj nenechávejte bez dozoru.
- 2.9 Dávejte pozor, aby se z používaných nádob nevyvalil veškerý obsah.

3. ZACHÁZENÍ S PŘÍSTROJEM

- 3.1 Nedotýkejte se horkých částí přístroje za provozu nebo krátce po něm.
- 3.2 Skladování: Pokud není přístroj v provozu, vždy uchovávejte kartuši nebo nádobu s tekutým palivem odděleně. Kartuši nebo nádobu s tekutým palivem skladujte na suchém a bezpečném místě mimo zdroje tepla.
- 3.3 Nepoužívejte přístroj k jiným účelům, než k jakým je určen.
- 3.4 S přístrojem nakládejte opatrně. Chraňte ho před pádem či nárazem.

4. SESTAVENÍ A PROVOZ PŘÍSTROJE S KARTUŠÍ (obr. 2 a 4)

- 4.1 Pokud se chystáte použít kartuši, je naprosto nezbytné, aby z hadičky přívodu paliva byly odstraněny veškeré zbytky tekutého paliva, jinak hrozí nebezpečí vyšlehnutí plamene! (Viz 6.8.7 pro postup vypuštění palivového systému.) Ujistěte se také, že je namontovaná tryska 0,36 mm.
- 4.2 Zkontrolujte, že ventil přívodu paliva (2) a ovladač přívodu paliva (5) jsou úplně uzavřeny (otočením uzávěry nadoraz po směru hodinových ručiček).
- 4.3 Při nasazování ventilu držte kartuši (3) ve svislé poloze.
- 4.4 Umístěte ventil přímo na kartuši (viz obr. 2).
- 4.5 Kartuši pomalu našroubujte na ventil, dokud se nedotkne těsnícího kroužku a zkontrolujte, zda přesně kopírujete závit. **Utahujte pouze ručně. Utahování nepřehánějte, aby nedošlo k poškození ventilu.**
- 4.6 Zkontrolujte, že nikde neuniká plyn. Kontrolu provádějte venku. **NIKDY** únik plynu nekontrolujte pomocí otevřeného plamene. Použijte teplou mýdlovou vodu, kterou naneste na kontaktní místa a spoje přístroje a zkontrolujte, zda se v místě možného úniku tvoří bubliny. Pokud máte pochybnosti nebo slyšíte či cítíte unikající plyn, přístroj nezapalujte. Odmontujte kartuši a obraťte se na místního prodejce.
- 4.7 Rozevřete nohy (stojan na nádobu) (12) do příslušné polohy v závětrí (11).
- 4.8 Vařič je nyní připraven k použití.
- 4.9 Přístroj vždy pokládejte na pevný povrch. Ujistěte se, že hadička je úplně natažená přímo od vařiče ke kartuši. Kartuši udržujte v bezpečné vzdálenosti od tepla sálajícího z přístroje.
- 4.10 Nejprve proti směru hodinových ručiček otočte ventilem přívodu paliva (2), poté ovladačem přívodu paliva (5) a ihned zapalte hořák (4).
- 4.11 Plamen regulujte pomocí ovladače přívodu pa-

liva (5) nebo ventilu přívodu paliva (2).

- 4.12 Po zapálení nechte přístroj ve svislé poloze a nepohybujte jím. Pokud přístroj nebyl dostatečně přehřát nebo se s ním neopatrně pohybuje, může se objevit vysoký plamen.
- 4.13 Po použití nejprve uzavřete ventil přívodu paliva (2). Jakmile plamen zhasne, uzavřete také ovladač přívodu paliva (5).
- 4.14 Musí být dodržována minimální vzdálenost od hořlavých materiálů. Minimální přípustná vzdálenost mezi přístrojem a stropem a mezi přístrojem a nejbližší zdí je 1 250 mm. **Tyto minimální vzdálenosti musí být dodržovány, aby se předešlo vzniku požáru.**

5. VÝMĚNA KARTUŠE

- 5.1 Úplně uzavřete ventil (2) a ovladač přívodu paliva (5). Ujistěte se, že plamen úplně uhasl a v okolí není žádný jiný zdroj ohně. Kartuši vyměňte venku v bezpečné vzdálenosti od ostatních osob. Odšroubujte kartuši z ventilu a vyměňte těsnící kroužek, pokud je poškozený nebo opotřebovaný. Nasadte ventil rovnou na uzávěr kartuše tak, aby se závit shodovaly a ručně utáhněte, jak je uvedeno v části 4.

6. SESTAVENÍ A PROVOZ PŘÍSTROJE S NÁDOBOU S TEKUTÝM PALIVEM (obr. 3 a 4)

- 6.1 Přístroj je dodáván se třemi tryskami. Tryska 36 je určena pro kartuši, tryska 32 pro čistý plyn a bezolovnatý benzín a tryska 25 pro petrolej, naftu a obdobná paliva. Ujistěte se, že máte namontovanou správnou trysku.
- 6.2 Naplňte Primus nádobu tekutým palivem po vyznačenou rysku naplnění. **POZOR!** Nádobu nikdy nepřepřlňujte!
- 6.3 Zkontrolujte, že ventil přívodu paliva (2) a ovladač přívodu paliva (5) jsou úplně uzavřeny (otočením uzávěry nadoraz po směru hodinových ručiček).
- 6.4 Našroubujte pumpu (21) na nádobu s tekutým palivem (20).
- 6.5 Pomalu našroubujte otočnou spojku palivové pumpy (22) na ventil, dokud se nedotkne těsnícího kroužku (viz obr. 3). Ujistěte se, že přesně kopírujete závit. **Utahujte pouze ručně – přílišné utahení může poškodit ventil.**
- 6.6 Rozevřete nohy (stojan na nádobu) (12) do příslušné polohy v závětrí (11).
- 6.7 Zapumpujte asi 20krát, nebo víckrát, pokud je úroveň paliva pod vyznačenou ryskou naplnění na nádobě.
- 6.8 Položte nádobu na pevný, rovný povrch tak, aby nápis ‚ON‘ na palivové pumpě směřoval vzhůru.
- 6.9 Přístroj vždy pokládejte na pevný povrch. Vždy zkontrolujte, že hadička mezi kartuší a přístrojem je narovnaná a nemůže přijít do kontaktu s plamenem nebo horkými plyny. **Zkontrolujte, že hadička není zkroutená nebo opotřebovaná. Nádobu udržujte v bezpečné vzdálenosti od tepla sálajícího z přístroje.**
- 6.10 Nejprve otevřete ventil přívodu paliva (2) a poté ovladač přívodu paliva (5), a to polovičním otočením proti směru hodinových ručiček. Předtím, než uzavřete ovladač přívodu, nechte palivo vstříkovat z trysky alespoň 2 vteřiny. Pokud používáte petrolej nebo naftu, nebo pokud je studené a větrné počasí, bude k přehřátí potřeba více paliva. V takovém případě nechte palivo vstříkovat alespoň 4 až 6 vteřin.
- 6.11 Zkontrolujte, zda nedochází k únikům v oblasti ventilu a ovladače přívodu paliva, palivové pumpy, trysky, palivové hadičky a palivové trubice. **POKUD DOCHÁZÍ K ÚNIKŮM, PŘÍSTROJ NEPOUŽÍVTE.**
- 6.12 Zapalte přehřívací polštářek. **NENAKLÁNĚJTE SE NAD PŘÍSTROJ ŽÁDNOU ČÁSTÍ TĚLA!** Přehřívací polštářek bude nyní hořet asi 40 vteřin (pokud je použit technický benzín) nebo déle (pokud je použit petrolej nebo nafta nebo pokud je teplo prostředí nízká). Jakmile začne palivo na polštářku dohořovat, otevřete pomalu ovladač přívodu paliva (otočením proti směru hodinových ručiček), a to ještě předtím, než plamen úplně vyhasne. Pokud přístroj hoří žlutým nebo nestabilním plamenem, nebylo přehřátí do-

stačující. Snižujte přívod plynu, až dosáhnete stabilního modrého plamene, a poté nechte přístroj chvíli hořet, aby se zahřál. Pokud vařič ani poté nelze použít na plný výkon, je potřeba jej vypnout a nechat úplně vychladnout. Pak zopakujte proces přehřívání po delší dobu a s větším množstvím paliva. Nezapomeňte, že vařič musí být během přehřívání chráněn proti větru.

- 6.13 Po zapálení nechte přístroj ve svislé poloze a nepohybujte jím. Pokud přístroj nebyl dostatečně přehřát nebo se s ním neopatrně pohybuje, může se objevit vysoký plamen.
- 6.14 Musí být dodržována minimální vzdálenost od hořlavých materiálů. Minimální přípustná vzdálenost mezi přístrojem a stropem a mezi přístrojem a nejbližší zdí je 1 250 mm (48 palců). **Tyto minimální vzdálenosti musí být dodržovány, aby se předešlo vzniku požáru.**
- 6.15 Chcete-li vypnout přístroj a vyprázdnit palivový systém, otočte nádobu s palivem tak, aby označení ‚OFF‘ na palivové pumpě směřovalo vzhůru. Jakmile plamen vyhasne a tryskou začne proudit vzduch, uzavřete ventil přívodu paliva (2) otočením nadoraz proti směru hodinových ručiček. Pozor! Tento proces trvá přibližně 1 minutu. Jakmile je přístroj vypnutý, uzavřete také ovladač přívodu paliva (5). Před demontáží nechte přístroj vychladnout.
- 6.16 **NIKDY** znovu nezapalujte přístroj, který ještě nevychladl. Z horkých částí se může odpařovat palivo a může dojít k nebezpečnému ‚vyšlehnutí plamene‘.

7. ÚDRŽBA

- 7.1 Používáte-li kapalná paliva, trysku je potřeba pravidelně čistit, aby bylo dosaženo optimálního, bezproblémového provozu. Pokud je přístroj používán po dlouhou dobu nebo s nekvalitním palivem, je potřeba vyčistit také čep ovladače přívodu paliva (30).
- 7.2 **Čištění trysek**
Uzavřete ventil (2) a ovladač přívodu paliva (5) a odšroubujte kartuši nebo nádobu s tekutým palivem.
- 7.3 Trysku (10) můžete vyčistit na místě nebo ji vyšroubovat z přístroje.
- 7.4 K čištění trysky použijte čisticí jehlu (26) dodanou s přístrojem.
- 7.5 Vraťte trysku na místo a pečlivě ji utáhněte, aby řádně těsnila. Nasadte Primus kartuši a pro větší bezpečí zkontrolujte pomocí teplé mýdlové vody, zda těsní. Pokud se objeví bubliny, není kontaktní místo dostatečně utaženo.
- 7.6 **Čištění čepu ovladače přívodu paliva**
Odšroubujte matici (31) pomocí kapesního nožičky. Vyšroubujte čep. Pečlivě očistěte tři drážky na hrotu čepu, například nehtem. Postupujte opatrně, abyste nepoškodili závit čepu. Zkontrolujte, zda je těsnící kroužek nepoškozený a zda po smontování správně sedí. Nasadte Primus kartuši a pro větší bezpečí zkontrolujte pomocí teplé mýdlové vody, zda těsní. Pokud se objeví bubliny, není kontaktní místo dostatečně utaženo.
- 7.7 **Palivová pumpa**
Pokud pumpa nevytváří dostatečný tlak v nádobě, jemně natáhněte kožený těsnící kroužek pumpy (25) a namažte jej Primus olejem na kůži (slinami nebo olejem na bázi minerálů). Odmontujte a vytáhněte tyč pumpy. Namažte těsnící kroužek, až bude měkký a poddajný. Jestliže pumpa stále nevytváří dostatečný tlak v nádobě, vyměňte těsnění nebo postupujte podle pokynů v sekci 7.8.
- 7.8 Jestliže pumpa stále neudrží dostatečný tlak v nádobě, vyčistěte a zkontrolujte nevrtný ventil (29). Vyměňte ventil a hadičkou očistěte gumové těsnění. Vraťte ventil na místo.
- 7.9 **Běžný servis a údržba**
Vždy zkontrolujte, že jsou těsnění a těsnící kroužky na svém místě a v dobrém stavu. Tuto kontrolu provádějte před každým sestavením přístroje. Pokud jsou těsnění poškozena nebo opotřebovaná, vyměňte je. Náhradní těsnění jsou k dispozici u místního prodejce.
- 7.10 **Kapesní nožič**
Tento nástroj lze použít k vyndání a nasazení trysky (10), matice (31), koncovky hadičky (32),

dolního šroubu (33) a šroubu předehřívacího polštářku (34). Viz obr. 5.



3219 PRIMUS OmniLite Ti, kuhlalo

UPUTE ZA UPOTREBU

8. TIPY A ODSTRAŇOVÁNÍ ZÁVAD

Ideálním palivem pro vařič OmniLite Ti je kartuše Primus (směs obsahující propan/butan). Palivo se snadno používá, běžně nevyžaduje nastříkávání a je účinné, šetrné k přírodě a čisté (žádné saze). Vyžaduje minimální údržbu a čištění.

Velmi kvalitní čistý plyn (PRIMUS PowerFuel, MSR® White Gas/Coleman® Fuel) umožňuje čisté spalování, i když ne tak čisté jako v případě kartuše, a v palivovém systému nezanechává prakticky žádné usazeniny.

Vařič je vybaven palivovými filtry v hadici čerpadla (35). Kromě potřebných výměn tyto filtry obvykle nevyžadují žádnou zvláštní péči. Pokud měníte filtr v koncovce hadičky, můžete stávající filtr vyndat tak, že na něj přilepíte ostrý předmět (např. jehlu) a opatrně jej vytáhnete, abyste nepoškodili těsnící plochy. Proveďte kontrolu úniku podle postupu v sekci 4.5.

Níže jsou uvedeny faktory, které mají vliv na výkon vařiče používaného s kartuší a dále typy, jak zvýšit (nebo udržovat) výkon v chladném počasí.

Faktory ovlivňující výkon hoření

- Množství plynu v kartuši
- Teplota okolního vzduchu
- Výchozí teplota plynu

Jak zvýšit výkon ve studeném počasí

- Předehřát kartuši umístěním ve vislé poloze od cca 2,5 cm teplé vody.
- Předehřát kartuši rukama nebo umístěním pod bundu, předtím, než ji připojíte k přístroji.

Možné příčiny sníženého výkonu

- Nedostatečný tlak v nádobě s kapalným plynem
- Nesprávně nasazená tryska
- Ucpaná tryska nebo filtr trysky
- Ucpané drážky čepu ovladače přívodu paliva (viz 7.5 výše)
- Ucpaný palivový filtr
- Přístroj není v závětrí apod.

Možné příčiny nestabilního, žlutého plamene

- Nedostatečné nastříknutí paliva
- Nesprávná tryska
- Přístroj není v závětrí apod. Použijte Primus protivětrný štít a tepelný reflektor nebo přeneste vařič do závětrí.
- Nadměrný tlak v nádobě způsobený přílišným pumpováním. Snižte výkon uzavřením ovladače přívodu plynu.
- Staré nebo nekvalitní palivo

9. SLUŽBY A OPRAVY

- 1.1 Pokud potíže nelze odstranit podle pokynů v tomto návodu, odnešte přístroj k místnímu prodejci.
- 1.2 Nikdy nezkoušejte dělat jiné opravy či údržbu.
- 1.3 Přístroj nikdy neupravujte, může to narušit jeho bezpečnost.
- 1.4 Vařič byl schválen s originálně vyrobenou hadičkou. Proto ji VŽDY nahrazujte pouze originální hadičkou, nikoliv jinými typy.

10. NÁHRADNÍ DÍLY A PŘÍSLUŠENSTVÍ

- 10.1 Používejte pouze náhradní díly a příslušenství značky Primus. Při montování součástí a příslušenství dávejte pozor, abyste se nedotkli horkých součástí.
- 10.2 Náhradní náplně: S tímto přístrojem používejte pouze náplně Primus 2202, 2206 a 2207 se směsí obsahující propan/butan/izobutan. Náhradní palivové nádoby: S tímto přístrojem používejte pouze palivové nádoby Primus 734120, 721950, 721960 a 732530.
- 10.3 Náhradní díly jsou k dispozici u vašeho prodejce nebo dovozce značky Primus.
- 10.4 Máte-li potíže se získáním dílů nebo příslušenství, kontaktujte dovozce na www.primusequipment.com.

VAŽNO: Pažljivo pročítajte ove upute prije spajanja uređaja na plinsku kartušu ili bocu s tekućim gorivom. Redovito proučavajte upute kako biste ostali upoznati s radom uređaja i zadržite ih za buduću upotrebu. **Nepoštovanje ovih uputa može rezultirati ozbiljnim tjelesnim ozljedama ili smrću!**

OPREZ: Ovaj uređaj troši zrak (kisik) i proizvodi ugljični dioksid. Izbjegnite opasnost po život i **NIKADA** ne upotrebljavajte i ne palite uređaj u neprozračenom prostoru, u zatvorenom prostoru, u šatoru, u vozilu ili drugim zatvorenim prostorima. **Upotrebljavati samo na otvorenom prostoru!**

NIKADA ne pokrivate kuhlalo (plinsku kartušu ili bocu s tekućim gorivom) s ceradom, kame-njem ili sličnim predmetima koji mogu izazvati pregrijavanje i oštetiti kuhlalo i plinsku kartušu/bocu s gorivom. Pregrijavanje plinske kartuše ili boce s tekućim gorivom na taj način iznimno je opasno.

GORIVO I IZVEDBA

Mlaznica 36 (0,36 mm)

- Plin kartuše Primus (propan/butan/izobutan mješavina) je idealno gorivo za kuhlalo OmniLite Ti. Gorivo je vrlo jednostavno za upotrebu, obično ne zahtijeva punjenje i učinkovito je, ekološki prihvatljivo i čisto (bez čađe). Potrebno je minimalno održavanje i čišćenje.

Mlaznica 32 (0,32 mm)

- Bijeli plin visoke kvalitete (PRIMUS PowerFuel, MSR® White Gas/Coleman® gorivo) pruža čisto sagorijevanje i praktično ne ostavlja ostatke u sustavu goriva.
- Gorivo za vozila treba upotrebljavati samo u iznimnim slučajevima jer sadrži aditive koji su štetni za zdravlje i također ostavljaju ostatke u sustavu goriva.
- Iz zdravstvenih razloga gorivo s olovom ne smije se nikada upotrebljavati.

Mlaznica 25 (0,25 mm)

- Iako je kerozin dostupan u cijelom svijetu, stvara više otpadaka, teže ga je puniti i zahtijeva često čišćenje.
- Dizelsko gorivo može se upotrebljavati ako nema drugog goriva. Dizelsko gorivo gori plamenom s dosta otpadaka, treba mu puno vremena da se unaprijed zagrije i zahtijeva često čišćenje.

1. UVOD

- 1.1 Ovaj uređaj dizajniran je za upotrebu samo s plinskim kartušama Primus 2202, 2206 i 2207 koje sadrže propan/butan/izobutan mješavinu plina ili boce s tekućim gorivom Primus za bijeli plin (PRIMUS PowerFuel, MSR® White Gas/Coleman® gorivo), bezolovni benzin, parafin i druga, ekvivalentna goriva.
- 1.2 Svaki pokušaj stavljanja druge vrste plinskih kartuša ili boce s tekućim gorivom može biti opasno. To može rezultirati istjecanjem što može dovesti do ozljede ili smrti.
- 1.3 Potrošnja plina: 130 g/h / 6.300 Btu/h (pribl. 2,3 kW) pri tlaku od 1 bara. (Kanada: Plin: 8733 Btu/h, bijeli plin/kerozin 6250 Btu/h)
- 1.4 Veličina mlaznice: 0,36 mm za jednokratne kartuše Primus. Veličina mlaznice: 0,32 mm za bijeli plin (PRIMUS PowerFuel, MSR® bijeli plin/Coleman® gorivo) i bezolovni benzin. Veličina mlaznice: 0,25 mm za kerozin i slična goriva.
- 1.5 Ovaj uređaj usklađen je sa standardom EN 521, CAN1-11.2-M79 i CSA B140.9.2-1975. CE odobrenje (EN 521) odnosi se samo na LP plin.
- 1.6 Osigurajte da je u svako vrijeme crijevo između kartuše i kuhlala uspravno i da ne može doći u dodir s plamenom ili vrućim plinovima. Osigurajte da crijevo nije svinuto ili oštećeno.

2. SIGURNOSNE INFORMACIJE (sl. 1)

- 2.1 Prije montaže kartuše ili boce s tekućim gori-

vom, provjerite jesu li brtve uređaja i pumpe (1) ispravno namještene i u dobrom stanju.

- 2.2 Uređaj treba upotrebljavati samo na otvorenom. NIKADA ne upotrebljavajte i ne palite uređaj u neprozračenom prostoru, u zatvorenom prostoru, u šatoru, u vozilu ili drugim zatvorenim prostorima.
- 2.3 Uređajem treba upravljati na ravnoj površini.
- 2.4 Osigurajte da nema zapaljivih materijala ili prolivenog goriva u blizini uređaja (pogledajte 4.8.6 i 6.8.6).
- 2.5 Uvijek postavite ili zamijenite plinsku kartušu/bocu s tekućim gorivom na sigurnom mjestu. To treba činiti samo na otvorenom, daleko od mogućih izvora zapaljenja, kao što je otvoreni plamen, pripalni plamen i električne iskre te dovoljno daleko od drugih osoba.
- 2.6 U slučaju ispuštanja na uređaju (miris plina, bijelog plina itd.) odmah premjestite kuhlalo na dobro prozračen prostor na otvorenom, daleko od mogućih izvora zapaljenja, gdje se ispuštanje može istražiti i riješiti. Provjera ispravnog rada uređaja kada upotrebljavate plin u kartuši treba se provoditi samo na otvorenom. **NIKADA** ne provjeravajte propušta li plin pomoću otvorenog plamena, upotrijebite sapunicu.
- 2.7 Nikada ne upotrebljavajte uređaj s oštećenim ili pohabanim brtvama. Nikada ne upotrebljavajte uređaj koji ispušta, oštećen je ili je u kvaru.
- 2.8 Nikada ne ostavljajte uređaj bez nadzora kada je upaljen.
- 2.9 Ne ostavljajte prazno posuđe na upaljenom kuhlalu.

3. RUKOVANJE UREĐAJEM

- 3.1 Pripazite da ne dirate vruće dijelove uređaja tijekom ili nakon upotrebe.
- 3.2 Skladištenje: Uvijek odvojite kartušu ili bocu s tekućim plinom od uređaja kada nije u upotrebi. Pohranite kartušu ili bocu na sigurno, suho mjesto dalje od vrućine.
- 3.3 Ne upotrebljavajte uređaj na pogrešan način te ga ne upotrebljavajte u svrhe za koje nije namijenjen.
- 3.4 Pažljivo rukujte uređajem. Pazite da vam uređaj ne ispadne.

4. SASTAVLJANJE I RUKOVANJE UREĐAJEM S PLINSKOM KARTUŠOM (sl. 2 i 4)

- 4.1 **Apsolutno je važno da u vodu goriva nema tekućeg goriva kada se upotrebljava plin iz kartuše, inače može doći do opasnog, velikog plamena! (Pogledajte 6.8.7 za upute o tome kako iscrpsti sustav goriva). Također osigurajte da je instalirana mlaznica od 0,36 mm.**
- 4.2 Osigurajte da su ventil za isključivanje (2) i kontrola plina (5) potpuno zatvoreni (okretanjem kotačića u potpunosti u smjeru kazaljki sata).
- 4.3 Držite kartušu uspravno (3) kada je postavljate na ventil.
- 4.4 Postavite ventil kvadratno na vrh kartuše (kako je prikazano na sl. 2).
- 4.5 Pažljivo zavrnite kartušu na ventil dok se ne spoji s O-prstenom, pazite da kartušu ne zavrnete križno. **Zategnite samo ručno. Nemojte previše zatezati jer se ventil kartuše može oštetiti.**
- 4.6 Osigurajte da je brtva plina čvrsta. Provjere obavljajte na otvorenom. **NIKADA** nemojte upotrebljavati otvoreni plamen radi provjere ispuštanja. Nanesite toplu sapunicu na zglobove i spojeve i promatrajte ima li ispuštanja u obliku mjehurića oko sumnjivog područja. Nikada ne palite uređaj ako niste sigurni, ako čujete zvuk ispuštanja ili osjetite miris plina. Odrnite kartušu i obratite se distributeru.
- 4.7 Okrenite nožice (podloga za lonac) (12) u odgovarajuće položaje za rad u vjetrom (11).
- 4.8 Kuhlalo je sada spremno za upotrebu.
- 4.9 Uvijek stavljajte uređaj na stabilnu površinu. Osigurajte da je crijevo u potpunosti izvučeno i da prolazi ravno između kartuše i kuhlala. Kartušu držite dalje od vrućine uređaja.
- 4.10 Prvo okrenite ventil za isključivanje (2), zatim kontrolu plina (5) suprotno od kazaljki sata i odmah upalite plamenik (4).

- 4.11 Prilagodite plamen pomoću kontrole plina (5) ili ventila za isključivanje (2).
- 4.12 Nakon paljenja držite uređaj uspravno i ne premještajte ga uokolo. Može doći do velikog plamena ako uređaj nije unaprijed u potpunosti zagrijan ili ako se premješta nepažljivo.
- 4.13 Nakon upotrebe prvo zatvorite ventil za isključivanje (2). Kada se plamen ugasi, zatvorite i kontrolu plina (5).
- 4.14 Mora postojati minimalan razmak od zapaljivih materijala. Minimalan dopušteni razmak između uređaja i stropa te između uređaja i najbližeg zida je 1250 mm. **Ti minimalni razmaci moraju se provjeriti kako bi se spriječila opasnost od požara.**

5. MIJENJANJE KARTUŠE

- 5.1 Zatvorite ventil za isključivanje (2) i kontrolu plina (5) u potpunosti. Osigurajte da je plamen ugašen i da u blizini ne postoji izvor plamena. Promijenite kartušu na otvorenom i podalje od drugih ljudi. Odvojite kartušu od ventila i zamijenite brtvu O-prstena ako je napuknuta ili istrošena. Izbjegavajte križno zatvaranje tako što ćete ventil staviti na navoje vijka kartuše kvadratno i zavrnite samo ručno kako je opisano u odjeljku 4.

6. SASTAVLJANJE I RUKOVANJE UREĐAJEM S TEKUĆIM GORIVOM (sl. 3 i 4)

- 6.1 Uređaj se isporučuje s tri mlaznice. Mlaznica 36 je za plin iz kartuše, mlaznica 32 za bijeli plin i bezolovni benzin, a mlaznica 25 za kerozin, dizelsko gorivo i slična goriva. Osigurajte da je instalirana ispravna mlaznica.
- 6.2 Napunite bocu za gorivo Primus do oznake punjenja tekućim gorivom. **NAPOMENA!** Nikada nemojte previše napuniti bocu!
- 6.3 Osigurajte da su ventil za isključivanje (2) i kontrola plina (5) potpuno zatvoreni (okretanjem kotačića u potpunosti u smjeru kazaljki sata).
- 6.4 Zavrnite pumpu (21) u bocu goriva (20).
- 6.5 Zavrnite spojnicu glave pumpe za gorivo (22) pažljivo u ventil dok se ne spoji s O-prstenom kontrolnog ventila (kako je prikazano na sl. 3). Pripazite da ne napravite križno spajanje. **Zategnite samo ručno – preveliko zatezanje može oštetiti spoj.**
- 6.6 Okrenite nožice (podloga za lonac) (12) u odgovarajuće položaje za rad u vjetrobran (11).
- 6.7 Pumpajte približno 20 punih pritisaka ili više ako je razina goriva ispod oznake punjenja na boci za gorivo.
- 6.8 Stavite bocu goriva na čvrstu, ravnu površinu tako da je tekst „ON“ na pumpi goriva usmjeren prema gore.
- 6.9 Uvijek stavljajte uređaj na stabilnu površinu. Osigurajte da je u svako vrijeme crijevo između kartuše i kuhala uspravno i da ne može doći u dodir s plamenom ili vrućim plinovima. **Osigurajte da crijevo nije svinuto ili oštećeno. Držite bocu goriva dalje od vrućine uređaja.**
- 6.10 Prvo otvorite ventil za isključivanje (2), zatim otvorite kontrolu plina (5) okretanjem dopola suprotno od kazaljki sata. Pustite da se gorivo rasprši iz mlaznice približno dvije sekunde prije zatvaranja kontrole. Ako upotrebljavate kerozin ili dizel ili ako je hladno i vjetrovito vrijeme, bit će potrebno više goriva za grijanje unaprijed. U tom slučaju pustite gorivo da izlazi 4 – 6 sekundi.
- 6.11 Provjerite ima li ispuštanja kod ventila za isključivanje, kontrole plina, pumpe goriva, mlaznice, crijeva goriva i voda goriva. **NEMOJTE UPOTREBLJAVATI UREĐAJ AKO IMA ISPUŠTANJA.**
- 6.12 Zapalite podlošku za punjenje. **NEMOJTE SE NAGINJATI NAD UREĐAJ GLAVOM ILI TIJELOM!** Podloga za punjenje sada će gorjeti približno 40 sekundi ako se upotrebljava bijeli plin te duže kod kerozina ili dizela ili ako je temperatura okoline niska. Polako otvorite kontrolu plina (okretanjem suprotno od kazaljki sata) kada gorivo na podlošci za punjenje počne istjecati, ali prije nego što se plamen u potpunosti ne ugasi. Ako uređaj gori žutim ili nestabilnim plamenom, punjenje nije bilo dostatno. Pokušajte malo zatvoriti kontrolu plina

- dok ne nastane ravnomjeran, plavi plamen i pustite da uređaj slabo gori neko vrijeme kako bi se zagrijao. Ako se kuhalom i dalje ne rukovati pri punoj snazi, jedino je rješenje isključiti ga, pustiti da u potpunosti ohladi i ponoviti postupak punjenja duže vrijeme pomoću goriva za punjenje. Zapamtite da i kuhalo mora biti zaštićeno od vjetra tijekom postupka.
- 6.13 Nakon paljenja držite uređaj uspravno i ne premještajte ga uokolo. Može doći do velikog plamena ako uređaj nije unaprijed u potpunosti zagrijan ili ako se premješta nepažljivo.
- 6.14 Mora postojati minimalan razmak od zapaljivih materijala. Minimalan dopušteni razmak između uređaja i stropa te između uređaja i najbližeg zida je 1250 mm (48 inča). **Ti minimalni razmaci moraju se provjeriti kako bi se spriječila opasnost od požara.**

- 6.15 Za isključivanje uređaja i pražnjenje sustava goriva, okrenite bocu goriva tako da je „OFF“ na pumpi goriva okrenuto prema gore. Kada se plamen ugasi i zrak prolazi kroz mlaznicu, zatvorite ventil isključivanja (2) okretanjem kotačića u potpunosti suprotno od kazaljki sata. Napomena! Taj postupak potrajat će približno 1 minutu. Također zatvorite kontrolu plina (5) kada je uređaj isključen. Pustite da se uređaj ohladi prije nego što ga rastavite.
- 6.16 **NIKADA** nemojte ponovno paliti vruć uređaj. Vrući dijelovi mogu uzrokovati hlapljenje tekućeg goriva i uzrokovati opasne „vatrene lopte“.

7. ODRŽAVANJE

- 7.1 Kada upotrebljavate tekuća goriva, mlaznicu treba redovito čistiti zbog optimalnog rada bez problema. Ako se uređaj upotrebljava duže vrijeme ili s gorivom slabe kvalitete, kontrolno vreteno (30) trebat će čistiti.
- 7.2 **Čišćenje mlaznice**
Zatvorite ventil za isključivanje (2) i kontrolu plina (5) te odvrnite plinsku kartušu ili bocu goriva.
- 7.3 Mlaznica (10) se može očistiti na licu mjesta ili kada se odvrne s uređaja.
- 7.4 Očistite mlaznicu iglom za čišćenje (26) koja je priložena uz uređaj.
- 7.5 Ponovno namjestite mlaznicu i zavrnite je čvrsto kako biste osigurali dobro brtvljenje. Postavite kartušu Primus za dodatnu sigurnost i provjerite zglob toplom sapunicom. Pojavljivanje mjehurića znači da zglob nije dovoljno zategnut.
- 7.6 **Čišćenje kontrolnog vretena**
Odvrtite sigurnosnu maticu (31) pomoću alata. Odvrnite vreteno. Pažljivo očistite tri ureza na vrhu vretena, primjerice, noktom. Pripazite da ne oštetite navoje vretena. Osigurajte da je O-prsten vretena netaknut i provjerite zategnutost nakon ponovnog sastavljanja. Za dodatnu sigurnost upotrijebite kartušu Primus i provjerite zategnutost zgloba sapunicom. Prisutnost mjehurića znači da zglob nije zategnut.
- 7.7 **Pumpa goriva**
Ako pumpa nema pritiska na bocu goriva, lagano rastegnite kožnu brtvu pumpe (25) i podmažite je uljem za kožu Primus (slinom ili uljem na bazi minerala). Odvrnite i povucite šipku pumpe. Utrljajte ulje u brtvu dok ne postane meka i savitljiva. Ako pumpa i dalje ne uspijeva ostvariti pritisak na boci goriva, zamijenite brtvu i nastavite na 7.7.
- 7.8 Ako pumpa ne uspije održati pritisak u boci goriva, očistite i provjerite nepovratni ventil (29). Uklonite ventil i obrišite gumenu brtvu tkanim. Ponovno postavite ventil.
- 7.9 **Rutinski servis i održavanje**
Uvijek osigurajte da su brtve i O-prsteni ispravno postavljeni i u dobrom stanju. Obavite ovu provjeru svaki put prije sastavljanja uređaja. Zamijenite brtve ako su oštećene ili pohabane. Nove brtve dostupne su kod distributera.
- 7.10 **Višenamjenski alat**
Alat se upotrebljava za uklanjanje i postavljanje mlaznice (10), sigurnosne matice (31), spoja crijeva (32), vijka na dnu (33) i fiksiranja podloške za punjenje (34). Pogledajte sl. 5.

8. SAVJETI I RJEŠAVANJE PROBLEMA

Plin kartuše Primus (propan/butan mješavina) je

idealno gorivo za kuhalo OmniLite Ti. Gorivo je vrlo jednostavno za upotrebu, obično ne zahtijeva punjenje i učinkovito je, ekološki prihvatljivo i čisto (bez čađe). Potrebno je minimalno održavanje i čišćenje.

Bijeli plin visoke kvalitete (PRIMUS PowerFuel, MSR® White Gas/Coleman® gorivo) pruža čisto sagorijevanje – iako ne toliko kao plin iz kartuše – i praktično ne ostavlja ostatke u sustavu goriva.

Kuhalo je opremljeno filtrima goriva u crijevu pumpe (35). Ti filtri obično ne zahtijevaju nikakvo djelovanje osim ako je potrebna zamjena. Kada mijenjate filter u spoju crijeva, postojeći filter može se ukloniti tako da ubodete šiljati predmetom (primjerice, iglom) u filter i izvučete ga van, pazeći da ne oštetite brtvene površine. Testirajte ispuštanje kako je opisano u 4.5.

Čimbenici koji upravljaju izlazom kuhala koje radi na plin iz kartuše kako je opisano u nastavku, sa savjetima o tome kako povećati (ili održati) izlaz pri hladnom vremenu.

Čimbenici koji utječu na izlaz vrućine

- količina plina u plinskoj kartuši
- temperatura zraka okoline
- početna temperatura plina

Kako povećati izlaz pri hladnom vremenu

- Unaprijed zagrijte kartušu tako da je postavite uspravno 1" (2,5 cm) tople vode.
- Unaprijed zagrijte kartušu rukama ili je postavite unutar svoje jakne prije spajanja s uređajem.

Mogući uzroci smanjene snage

- Nedovoljan pritisak u boci s tekućim gorivom
- Postavljena neispravna mlaznica
- Blokirani mlaznica ili filter mlaznice
- Urezi kontrolnog vretena blokirani (pogledajte 7.5 iznad)

- Blokiran filter goriva

- Uređaj nije zaštićen od vjetra itd.

Mogući uzroci nestabilnog, žutog plamena

- Nedovoljno punjenje
- Neispravna mlaznica
- Uređaj nije zaštićen od vjetra itd. Upotrijebite vjetrobran Primus i reflektor vrućine ili premjestite kuhalo na zaklonjeno mjesto.
- Prekomjeren pritisak u boci goriva zbog prekomjernog pumpanja. Smanjite snagu zatvaranjem kontrole plina.
- Staro ili gorivo slabe kvalitete

9. SERVIS I POPRAVAK

- 9.1 Vratite uređaj lokalnom trgovcu ako se kvar ne može riješiti pomoću ovih uputa.
- 9.2 Nikada nemojte pokušavati neki drugi način održavanja ili popravka.
- 9.3 Nikada ne provodite izmjene na uređaju jer ga to može učiniti nesigurnim.
- 9.4 Kuhalo je odobreno s tvornički postavljenim crijevom. Iz tog razloga crijevo se NIKADA ne može zamijeniti vrstom koja nije originalna.

10. DIJELOVI I PRIBOR

- 10.1 Upotrebljavajte samo dijelove i dodatni pribor Primus. Pripazite da izbjegavate dodirivanje vrućih dijelova kada postavljate dijelove i pribor.
- 10.2 Zamjenske kartuše: Upotrebljavajte samo plinske kartuše PRIMUS 2202, 2206 i 2207 s mješavinom propan/butan/izobutan s ovim uređajem.
- Zamjenske boce goriva: Upotrebljavajte samo boce goriva Primus 734120, 721950, 721960 i 732530 s ovim uređajem.
- 10.3 Dijelovi su dostupni kod vašeg distributera za Primus ili kod uvoznika.
- 10.4 Kontaktirajte uvoznika ako imate poteškoća u nabavi dijelova ili pribora, posjetite www.primusequipment.com.

FONTOS: Alaposan olvasd át a használati utasítást, mielőtt a készüléket gázpatronhoz vagy folyékony üzemanyagot tartalmazó palackhoz csatlakoztatod. Tanulmányozd gyakori időközönként az utasításokat, hogy megőrizd ismereteidet a készülék működésével kapcsolatban, és emlékezz rájuk későbbi felhasználáskor. **Ha nem tartod be az itt leírt instrukciókat, az személyi sérülésekhez vagy akár halálesethez is vezethet!**

VIGYÁZAT: Az itt bemutatott készülék levegőt (oxigént) fogyaszt, és szén-dioxidot állít elő. Az életveszélyes helyzetek megelőzése érdekében **SOHA NE** gyújtsd be vagy használd a készüléket szellőzeten helyen, beltérben, sátorban, járműben vagy más zárt térben!
Kizárólag a szabadban használható!

SOHA ne fedd le a tűzhelyet (akár gázpatront, akár folyékony üzemanyagot tartalmazó palackot használj) szélfogóval, kövekkel vagy bármilyen hasonlóval, mert ettől túlmelegedhet vagy megsérülhet a tűzhely, illetve a patron/üzemanyagos palack. A gázpatront, illetve a folyékony üzemanyagot tartalmazó palackot így túlmelegíteni nagyon veszélyes!

ÜZEMANYAG ÉS TELJESÍTMÉNY

36-os gázrőzsa (0,36 mm)

- A Primus patronos gáz (propán/bután/izobután keverék) az ideális üzemanyag az OmniLite Ti tűzhelyhez. Az üzemanyagot igen könnyű kezelni, normál esetben nem szükséges feltölteni, emellett hatékony, környezetbarát és tiszta (nem kormoz). Minimális a karbantartás- és tisztítási igénye.

32-es gázrőzsa (0,32 mm)

- A jó minőségű „fehér gáz”, vagyis a színtelen, olmozatlan gázolaj (PRIMUS PowerFuel, MSR® White Gas/Coleman® Fuel) tisztán ég, és nem hagy lerakódásokat az üzemanyagrendszerben.
- Járműüzemanyagot csak végszükségletben használjunk hozzá, mert olyan adalékanyagokat tartalmazhatnak, amelyek károsak lehetnek az egészségre, és lerakódásokat hagyhatnak az üzemanyagrendszerben.
- Egészségügyi okokból sose használjunk olmozott benzint.

25-ös gázrőzsa (0,25 mm)

- Bár a kerozin könnyen elérhető, sokkal jobban kormoz, sokkal nehezebb a feltöltés vele, és gyakori takarításra van esetében szükség.
- Dízelolajat akkor használjunk, ha más üzemanyag nem elérhető. A dízelolaj nagyon sok korommal ég, sok időbe telik vele az előmelegítés, és esetében gyakori takarításra van szükség.

1. BEVEZETÉS

- A készüléket úgy terveztük, hogy csak Primus 2202, 2206 és 2207, propán/bután/izobután keveréket tartalmazó gázpatronokkal vagy Primus folyékony üzemanyagot tartalmazó palackkal (PRIMUS PowerFuel, MSR® White Gas/Coleman® Fuel), ólommentes üzemanyaggal, paraffinnal vagy más, hasonló üzemanyagokkal lehessen használni.
- Mindenfajta, másféle gázpatron vagy folyékony üzemanyagot tartalmazó palack beillesztésére irányuló próbálkozás veszélyes lehet. A kísérlet szivárgáshoz vezethet, ami sérülést vagy halált okozhat.
- Gázfogyasztás: 130 g/óra vagy 6300 BTU/óra (kb. 2,3 kW) 1 bar gáznyomásnál. (Kanada: Gáz: 8733 BTU/óra, fehér gáz/kerozin 6250 BTU/óra)
- Gázrőzsa mérete: 0,36 mm a Primus eldobható patronokhoz Gázrőzsa mérete: 0,32 mm fehér gázhoz (PRIMUS PowerFuel, MSR® White Gas/Coleman® Fuel) és ólommentes üzemanyaghoz. Gázrőzsa mérete: 0,25 mm kerozinhoz és hasonló üzemanyagokhoz.
- A készülék megfelel a következő szabványok előírásainak: EN 521, CAN1-11.2-M79 és CSA B140.9.2-1975. A CE-jelölés (EN 521) csak LP gázra vonatkozik.
- Mindig bizonyosodj meg róla, hogy a tömlő a patron és a tűzhely között egyenes, illetve nem ér hozzá láng vagy forró gáz.** Bizonyosodj meg róla, hogy a tömlő nem kopott és nincs összetekeredve.

2. BIZTONSÁGGAL KAPCSOLATOS INFORMÁCIÓK (1. ábra)

- A gázpatron vagy a folyékony üzemanyagot tartalmazó palack csatlakoztatása előtt ellenőrizd, hogy a készülék és a szivattyútömítések (1) a helyükön, megfelelő állapotban vannak-e.
- A készüléket csak a szabadban használj. SOHA NE gyújtsd be vagy használd a készüléket szellőzeten helyen, beltérben, sátorban, járműben vagy más zárt térben!
- A készüléket sima, egyenes felületen kell használni.
- Bizonyosodj meg róla, hogy nincs gyúlékony anyag vagy kifolyt üzemanyag a készülék környezetében (lásd 4.8.6 és 6.8.6).
- Mindig biztonságos környezetben rögzítsd és cseréld a gázpatront/folyékony üzemanyagot tartalmazó palackot. Ezt a szabadban tedd csak, távol az emberektől és minden lehetséges hő- és tűzforrástól, mint a nyílt láng, az őr láng és az elektromos tűz.
- Ha a készülék szivárog (erre utaló gázszagot, fehér gázt stb. tapasztalsz), azonnal vidd a tűzhelyt a szabadba, jól szellőző helyre, távol minden lehetséges hő- és tűzforrástól; ott utánajárhatsz a szivárgásnak és kijavíthatod. A készülék megfelelő működésének ellenőrzését gázpatronok esetén csak a szabadban szabad végezni. SOHA ne nyílt lánggal ellenőrizd az esetleges szivárgást; használj szappanos vizet.
- Soha ne használj a készüléket, ha a gáztömítés sérült vagy kopott. Soha ne használj szivárgó, sérült vagy hibás készüléket.
- A begyújtott készüléket ne hagyj felügyelet nélkül.
- Soha ne forrald üresen a serpenyőket.

3. A KÉSZÜLÉK KEZELÉSE

- Használat közben vagy után légy óvatos, és ne érh hozzá a készülék forró részeihez.
- Tárolás: Ha a készülék használaton kívül van, mindig csavard le róla a gázpatront/folyékony üzemanyagot tartalmazó palackot. A patron vagy palackot biztonságos, száraz helyen, minden hőforrástól távol tárold.
- A készüléket ne használj szakszerűtlenül, és ne használj a leírtaktól eltérő célokra.
- Figyelj oda a készülékre. Ne ejtsd le.

4. A KÉSZÜLÉK ÖSSZESZERELÉSE ÉS MŰKÖDTETÉSE GÁZPATRONNAL (2. és 4. ábra)

- Nagyon fontos, hogy az üzemanyag-vezetékben semmiképp se legyen folyékony üzemanyag gázpatron használatkor, mert ez kicsapódó lángokat eredményezhet! (Lásd a 6.8.7 pontot az üzemanyagrendszer kiürítéséről.) Győződj meg róla, hogy 0,36 mm-es gázrőzsa lett felszerelve.**
- Győződj meg róla, hogy az elzáró szelep (2) és a gázszabályozó (5) is teljesen el van zárva (ezt úgy teheted meg, hogy a gombot teljesen eltekered az óramutató járásának irányába).
- Tartsd egyenesen a gázpatront (3), miközben a szelephez csatlakoztatod.
- Helyezd a szelepet a patron tetejére merőlegesen (a 2. ábrán látható módon).
- Csavard rá óvatosan a patron a szelepre, hogy hozzáérjen az O-gyűrűhöz, és ügyelj rá, hogy ne sérüljön meg a menet a patronnál. **Csak kézzel szorítsd rá. Ne szorítsd túl, mert ettől megsérülhet a patron szelepe.**
- Ellenőrizd, hogy a gáztömítés szoros-e. Végezd el a szükséges ellenőrzéseket a szabadban. **TILOS** a szivárgást nyílt lánggal ellenőrizni! Használd langyos, szappanos vizet a csatlakozásokon és érintkezéseken, és figyelj meg, keletkeznek-e buborékok a megfigyelt részekben. Ha nem vagy biztos a dolgokban, vagy ha szivárgó gáz szagát érzed, illetve sziszegő hangot hallasz, ne gyújtsd be a készüléket! Csavard le róla a patron, és keressd meg a helyi márkakereskedőt.
- Hajtsd ki a lábakat (a serpenyőtartókat) (12), hogy megfelelő pozícióban legyenek a szélfogóval (11).
- A tűzhely ezennel használatra kész.
- Mindig stabil felületre helyezd a készüléket. Győződj meg róla, hogy a tömlő teljesen ki van húzva, és hogy egyenesen fut a patron és a tűzhely között. Tartsd a patron távol a készülék fejlesztette hőtől.
- Először csavard el az elzáró szelepet (2), majd a gázszabályozót (5) az óramutató járásának irányába, és azonnal gyújtsd meg az égőt (4).

- Állítsd be a láng nagyságát a gázszabályozóval (5) vagy az elzáró szeleppel (2).
- Miután begyújtottad, tartsd a készüléket állítva, egyenesen. Ne vidd arrébb! Ha a készüléket nem melegítetted teljesen elő, vagy óvatlanul elmozdítottad, az kicsapódó lángokat eredményezhet.
- Használat után először zárd el az elzáró szelepet (2). Ha a láng kialudt, zárd el a gázszabályozót is (5).
- A gyúlékony anyagoktól legalább egy megadott, minimális távolságra kell tartani. A minimális megengedett távolság a készülék és a mennyezet, illetve a készülék és a legközelebbi fal között: 1250 mm. **Erre a minimális megengedett távolságra a tűzesetek megelőzése miatt kell figyelni.**

5. A PATRON CSERÉJE

- Zárd el teljesen az elzáró szelepet (2), majd a gázszabályozót (5). Győződj meg róla, hogy a láng kialudt, és más tűzforrás sincs a környezetben. A patron a szabadban, emberektől távol cseréld. Csavard le a patron a szelepről, és ha az O-gyűrű megtört vagy elhasználódott, cseréld ki. Ügyelj rá, hogy a menet ne sérüljön meg: ehhez a szelepet illeszd merőlegesen a patronon lévő csavarmentre, majd csavard rá kézzel, a 4-es pontban leírt módon.

6. A KÉSZÜLÉK ÖSSZESZERELÉSE ÉS MŰKÖDTETÉSE FOLYÉKONY ÜZEMANYAGGAL (3. és 4. ábra)

- A készülékhez három gázrőzsa tartozik. A 36-os gázrőzsa a gázpatronhoz való, a 32-es fehér gázhoz és ólommentes üzemanyaghoz, a 25-ös pedig kerozinhoz, dízel olajhoz és hasonló üzemanyagokhoz. Győződj meg róla, hogy a megfelelő gázrőzsát szerelted fel.
- Tölts fel egy Primus üzemanyagpalackot a töltőjelig folyékony üzemanyaggal. **FONTOS!** Sose töltsd túl a palackot!
- Győződj meg róla, hogy az elzáró szelep (2) és a gázszabályozó (5) is teljesen el van zárva (ezt úgy teheted meg, hogy a gombot teljesen eltekered az óramutató járásának irányába).
- Csavard rá a pumpát (21) az üzemanyagpalackra (20).
- Csavard rá az üzemanyagpumpa fegatható csatlakozóját (22) óvatosan a szelepre, míg hozzá nem ér a szabályozószelep O gyűrűjére (a 3. ábrán látható módon). Ügyelj rá, nehogy megsérüljön meg a menet a csatlakozásnál. **Csak kézzel szorítsd rá – a túlszorítástól megsérülhet a csatlakozás.**
- Hajtsd ki a lábakat (a serpenyőtartókat) (12), hogy megfelelő pozícióban legyenek a szélfogóval (11).
- Pumpáld nagyjából 20-at, vagy többet, ha az üzemanyag az üzemanyagpalack töltőjele alatt maradt.
- Helyezd az üzemanyagpalackot sima, egyenes felületre úgy, hogy az üzemanyagpumpán olvasható „ON” (BE) felirat felfelé nézzen.
- Mindig stabil felületre helyezd a készüléket. Mindig bizonyosodj meg róla, hogy a tömlő a patron és a tűzhely között egyenes, illetve nem ér hozzá láng vagy forró gáz. **Bizonyosodj meg róla, hogy a tömlő nem kopott és nincs összetekeredve. Tartsd az üzemanyagpalackot távol a készülék fejlesztette hőtől.**
- Először nyisd meg az elzáró szelepet (2), majd a gázszabályozót (5) is egy fél fordulatnál az óramutató járásával ellenkező irányba. Hagyd, hogy az üzemanyag 2 másodpercig spricceljen a gázrőzsából, majd zárd el a szabályozót. Ha kerozint vagy dízelt használsz, illetve ha hideg és szeles az idő, több üzemanyag kell az előmelegítéshez.
- Ellenőrizd, nem szivárog-e az elzáró szelep, a gázszabályozó, az üzemanyagpumpa, az üzemanyagtömlő vagy az üzemanyag-vezeték. **SZIVÁRGÁS ESETÉN NE HASZNÁLD A KÉSZÜLÉKET!**
- Gyújtsd be a feltöltőtálat. **NE HAJOLJ A KÉSZÜLÉK FÖLÉ SE TESTTEL, SE FEJVEL!** A feltöltőtál nagyjából 40 másodpercig ég, ha fehér gázt használtál, és tovább, ha kerozint vagy dízelt, illetve ha a környezeti hőmérséklet alacsony. Nyisd meg lassan a gázszabályozót (forgasd az óramutató járásával ellenkező irányba), amikor az üzemanyag a feltöltőtálban kezd elfogyni, de még mielőtt a láng teljesen kialudna. Ha a készülék sárga, vagy instabil lánggal ég, a feltöltés nem volt elégséges. Próbáld elzárni

a gázt addig, amíg egy nagyjából stabil, kék lángot nem kapsz, és hagy, hogy a készülék takaréklángon égjen egy kicsit, míg felmelegszik. Ha a tűzhelyet ezután sem sikerül teljes lángon üzemeltetni, akkor kapcsold ki, hagy teljesen lehűlni, és ismételd meg a feltöltési folyamatot hosszabban, több feltöltő üzemanyaggal. Ne feledd, a tűzhelyet a folyamat alatt védeni kell a széltől.

- 6.13 Miután begyűjtottad, tartsd a készüléket állítva, egyenesen. Ne vidd arrébb! Ha a készüléket nem melegítetted teljesen elő, vagy óvatlanul elmozdított, az kicsapódó lángokat eredményezhet.
- 6.14 A gyúlékony anyagoktól legalább egy megadott, minimális távolságra kell tartani. A minimális megengedett távolság a készülék és a mennyezet, illetve a készülék és a legközelebbi fal között: 1250 mm (48 hüvelyk). **Erre a minimális megengedett távolságra a tűzesetek megelőzése miatt kell figyelni.**
- 6.15 A készülék kikapcsolásához és az üzemanyag-rendszer kiürítéséhez fordítsd meg az üzemanyagpalackot, hogy az üzemanyagpumpán olvasható „OFF” (KI) szöveg felfelé nézzen. Ha a láng kialudt, és levegő jön a gázrőzsából, zárd le az elzáró szelepet (2) úgy, hogy a gombot teljesen elfordítod az óramutató járásával ellenkező irányba. Fontos! A folyamat nagyjából 1 perc. Ha a készüléket kikapcsoltad, a gázszabályozót (5) is zárd el. Hagyd kihűlni a készüléket, mielőtt szét szerelnéd.
- 6.16 SOHA ne gyűjts újra be egy forró készüléket. A forró alkatrészek elpárologhatják a folyékony üzemanyagot, és veszélyes „tűzlobbanásokat” eredményezhetnek.

7. KARBANTARTÁS

- 7.1 Folyékony üzemanyag használata esetén a gázrőzsát gyakran kell takarítani az optimális, problémamentes használathoz. Ha a készüléket sokat, vagy gyenge minőségű üzemanyaggal használod, a szabályozóórát (30) is ki kell tisztítani.
- 7.2 **A gázrőzsa megtisztítása**
Zárd el az elzáró szelepet (2) és a gázszabályozót (5), majd csavard le róla a patronrt vagy az üzemanyagpalackot.
- 7.3 A gázrőzsát (10) a helyén vagy a készülékről lecsavarva is tisztíthatod.
- 7.4 A gázrőzsát azzal a tisztítótúlvél (26) tisztíthatod meg, amelyet a készülékhez adtak.
- 7.5 Tedd vissza a helyére a gázrőzsát, és csavard be biztonságosan, hogy biztosítsd a jó tömítést. Helyezz be egy Primus patronrt a biztonság kedvéért, és ellenőrizd a csatlakozást langyos, szappanos vízzel. A buborékok megjelenése arra utalhat, hogy a csatlakozás nem zár megfelelően.
- 7.6 **A szabályozóórát tisztítsa**
Csavard ki a rögzítőcsavart (31) a svájci bicskával. Csavard ki az orsót. Óvatosan tisztítsd ki a három rovátkát az orsó hegyénél, például körömmel. Vigyázz, meg ne sérüljön az orsó menete. Győződj meg róla, hogy hogy az orsó O-gyűrűje ép és hiánytalan legyen, és ellenőrizd a szorosságát az ismételt összeszerelést követően. A biztonság kedvéért egy Primus patronrt és szappanos víz segítségével ellenőrizd a csatlakozás szorosságát. A buborékok jelenléte arra utalhat, hogy a csatlakozás nem elég szoros.
- 7.7 **Üzemanyagpumpa**
Ha a pumpa nem tartja nyomás alatt az üzemanyagpalackot, nyútsd meg kicsit a pumpa bőr tömítését (25), és kend be Primus bőrolajjal (esetleg nyálállal vagy ásványi típusú olajjal). Csavard ki és húzd ki a pumpa rúdját. Dörzsöld olajat a tömítésbe, amíg puha és hajlékony nem lesz. Ha a pumpa továbbra sem tartja nyomás alatt az üzemanyagpalackot, cseréld ki a tömítést, és folytasd a 7.8-es ponttal.
- 7.8 Ha a pumpa nem tartja nyomás alatt az üzemanyagpalackot, tisztítsd meg és ellenőrizd a vízszacscapó szelepet (29). Távolítsd el a szelepet, és dörzsöld át a gumitömítést egy ronggyal. Helyezd vissza a szelepet.
- 7.9 **Rutinellenőrzés és karbantartás**
Mindig győződj meg róla, hogy a tömítések és az O-gyűrűk a megfelelő helyen, jó állapotban vannak. Minden alkalommal végezd el ezt az ellenőrzést, amikor összeszereléd a készüléket. Cseréld le a tömítéseket, ha sérültek vagy kopottak. Tartalék tömítést a helyi márkakereskedőnél szerezhetsz be.
- 7.10 **Svájci bicska**
Az eszköz a gázrőzsa (10), a rögzítőcsavar (31), a tömlőcsatlakozás (32), az alsó csavar (33) és a

feltöltőtől zárjának (34) eltávolítására és visszahelyezésére használható. Lásd az 5. ábrát.

8. TIPPEK ÉS HIBAEHÁRÍTÁS

A Primus gázpatron (propán/bután keverék) az ideális üzemanyag az OmniLite Ti tűzhelyhez. Az üzemanyagot igen könnyű kezelni, normál esetben nem szükséges feltölteni, emellett hatékony, környezetbarát és tiszta (nem kormoz). Minimális a karbantartás- és tisztítási igénye.

A jó minőségű „fehér gáz”, vagyis a színtelen, olmosatlan gázolaj (PRIMUS PowerFuel, MSR® White Gas/Coleman® Fuel) tisztán ég – bár nem olyan tiszán, mint a gázpatron –, és nem hagy lerakódásokat az üzemanyagrendszerben.

A tűzhely fel van szerelve üzemanyagszűrővel a pumpa tömlőjében (35). A szűrőkre általában nem kell külön figyelmet fordítani, kivéve az időnkénti szükséges cserét. Amikor a tömlő csatlakozásában cseréled a szűrőket, a meglévő szűrőket úgy veheted ki, hogy egy hegyes tárgyat (például tűt) beleszúrsz a szűrőbe és kifeszíted, de ügyelj rá, hogy ne sérüljön meg a tömítés felülete. A szivárgástesztet a 4.5-ös pontban leírtaknak megfelelően végezd.

Az alábbiakban felsoroljuk a gázpatronnal működő tűzhelyek teljesítményét befolyásoló tényezőket, és tanácsokat adunk arra, hogyan lehet növelni (vagy fenntartani) a teljesítményt hideg időjárás esetén.

Hő kibocsátást befolyásoló tényezők

- A patronban lévő gáz mennyisége
- A környező levegő hőmérséklete
- A gáz kezdő hőmérséklete

Hogyan növeld a teljesítményt hideg időjárás esetén

- Melegítsd elő a patronrt úgy, hogy felállítva 2,5 cm meleg vízbe helyezed.
- Melegítsd elő a patronrt a kezdeddel, vagy tedd be a kabátod zsebébe, mielőtt a készülékhez csatlakoztatnád.

A csökkentett teljesítmény lehetséges okai

- Nincs elég nyomás a folyékony üzemanyagot tartalmazó palackban
- Nem a megfelelő gázrőzsa van csatlakoztatva
- A gázrőzsa vagy a gázrőzsa szűrője eltömődött
- A szabályozó orsó barázdái eltömődtek (lásd fent, a 7.5. pontban)
- Az üzemanyag szűrője eltömődött
- A készülék nincs védve a széltől stb.

Az instabil, sárga láng lehetséges okai

- Nem megfelelő feltöltés
- Nem megfelelő gázrőzsa
- A készülék nincs védve a széltől stb. Használj Primus szélfogót és hővisszaverőt, vagy vidd a tűzhelyet szélvédett helyre.
- Túlnyomás az üzemanyagpalackban a túlzott pumpálás miatt. Csökkentsd a teljesítményt a gázszabályozó elzárásával.
- Régi vagy gyenge minőségű üzemanyag

9. SZERVIZELÉS ÉS JAVÍTÁS

- 9.1 Vidd vissza a készüléket a helyi márkakereskedőhöz, ha a fenti instrukciók alapján nem tudod elhárítani a hibát.
- 9.2 Ezen kívül ne kísérletezz másfajta karbantartással vagy javítással!
- 9.3 Sose módosítsd a készüléket, mert az nem biztonságos.
- 9.4 A tűzhelyhez a gyárilag mellékelte tömlő illik. Emiatt a tömlőt **SOHA** nem szabad az eredetitől eltérő típusúra cserélni!

10. ALKATRÉSZEK ÉS TARTOZÉKOK

- 10.1 Kizárólag Primus márkájú alkatrészeket és tartozékokat használj. Ne nyúlj a forró részekhez, amikor az alkatrészeket és a tartozékokat rögzíted.
- 10.2 Cserepatronok: Ehhez a készülékhez kizárólag Primus 2202, 2206 és 2207 propán/bután/izobután gázkeverékkel töltött gázpatronrt használj. Csere üzemanyagpalackok: Ehhez a készülékhez kizárólag Primus 734120, 721950, 721960 és 732530 üzemanyagpalackot használj.
- 10.3 Alkatrészeket a Primus márkakereskedőtől vagy importortól rendelhetsz.
- 10.4 Amennyiben gondot okoz az alkatrészek és tartozékok beszerzése, vedd fel a kapcsolatot az importőrrel, és látogass el a www.primusequipment.com oldalra.



3219 PRIMUS OmniLite Ti, kuchenka turystyczna

INSTRUKCJA OBSŁUGI

WAŻNE: Przed podłączeniem kuchenki do kartusza z gazem lub butli z ciekłym paliwem należy uważnie przeczytać niniejszą instrukcję obsługi. Instrukcję należy ponownie czytać w regularnych odstępach czasu, aby odpowiednio obchodzić się z urządzeniem. Instrukcję należy zachować do wykorzystania w przyszłości. **Nieprzestrzeganie instrukcji może spowodować poważne obrażenia ciała lub śmierć!**

UWAGA: Urządzenie zużywa powietrze (tlen) i wytwarza dwutlenek węgla. Aby uniknąć niebezpieczeństwa utraty życia, w żadnym wypadku **NIE WOLNO** używać ani zapalać tego urządzenia na niewietrzonym obszarze, w pomieszczeniach, w namiotach, w pojazdach lub w innym zamkniętym miejscu. **Do użytku wyłącznie na zewnątrz!**

NIE WOLNO zakrywać kuchenki (kartusza gazowego lub butli z ciekłym paliwem) osłonami, kamieniami lub innymi podobnymi rzeczami, ponieważ może to doprowadzić do przegrzania i uszkodzenia zarówno kuchenki, jak i kartusza/butli z paliwem. Przegrzanie kartusza lub butli z paliwem w taki sposób jest wysoce niebezpieczne.

PALIWO I DZIAŁANIE

Dysza 36 (0,36 mm)

- Idealnym paliwem do kuchenki OmniLite Ti są butle z gazem (mieszanek propanu/butanu/izobutanu) marki Primus. Paliwo to jest łatwe w użyciu, zwykle nie wymaga rozgrzewania wstępnego, jest wydajne, przyjemne dla środowiska i czyste (brak sadzy). Wymaga minimalnych zabiegów konserwacyjnych i czyszczenia.

Dysza 32 (0,32 mm)

- Wysokiej jakości benzyna ekstrakcyjna (PRIMUS PowerFuel, benzyna ekstrakcyjna MSR®/paliwo Coleman®) umożliwiają czyste spalanie i praktycznie nie pozostawia zanieczyszczeń w przewodzie paliwowym.
- Paliwo samochodowe powinno być stosowane tylko w wyjątkowych sytuacjach, jako że zawiera szkodliwe dla zdrowia dodatki i pozostawia zanieczyszczenia w przewodzie paliwowym.
- Ze względów zdrowotnych w żadnym wypadku nie należy stosować benzyny ołowiowej.

Dysza 25 (0,25 mm)

- Mimo że nafta jest powszechnie dostępna, wytwarza więcej sadzy, trudniej ją rozgrzać i wymaga częstszego czyszczenia.
- W razie braku dostępności innych rodzajów paliwa można zastosować olej napędowy. Olej napędowy pali się okopconym płomieniem, długo się ogrzewa i wymaga częstego czyszczenia.

1. WSTĘP

- 1.1 To urządzenie może być używane wyłącznie z kartuszami gazowymi Primus 2202, 2206 and 2207 zawierającymi mieszanek propanu, butanu i izobutanu lub butlami z ciekłym paliwem Primus (PRIMUS PowerFuel, benzyna ekstrakcyjna MSR®/paliwo Coleman®), benzyna bezołowiowa, naftą lub innymi podobnymi paliwami.
- 1.2 Próby podłączenia innych rodzajów kartuszy gazowych lub butli z ciekłym paliwem mogą być niebezpieczne. Takie działania może skutkować wyciekami paliwa lub ulatnianiem gazu, co może prowadzić do obrażeń ciała lub śmierci.
- 1.3 Zużycie gazu: 130 g/h / 6300 BTU/h / (około 2,3 kW) przy ciśnieniu gazu 1 bar. (Kanada: Gaz: 8733 BTU/h, benzyna ekstrakcyjna/nafta 6250 BTU/h)
- 1.4 Rozmiar dyszy: 0,36 mm w przypadku jednorazowych kartuszy Primus. Rozmiar dyszy: 0,32 mm w przypadku benzyny ekstrakcyjnej (PRIMUS PowerFuel, benzyna ekstrakcyjna MSR®/paliwo Coleman®) i benzyny bezołowiowej. Rozmiar dyszy: 0,25 mm w przypadku nafty i podobnych paliw.
- 1.5 Urządzenie spełnia normy EN 521, CAN1-11.2-M79 oraz CSA B140.9.2-1975. Homologacja CE (EN 521) dotyczy wyłącznie propan-butanu.
- 1.6 Przewód gazowy znajdujący się pomiędzy kartuszem i kuchenką zawsze powinien być wyprowadzony i nie może wejść w kontakt z płomieniem ani gorącym paliwem. Przewód nie może być skrócony ani narażony na tarcie.

2. INFORMACJE NA TEMAT BEZPIECZEŃSTWA (rys. 1)

- 2.1 Przed podłączeniem kartusza gazowego lub butli z

- paliwem płynnym należy sprawdzić, czy uszczelki pompki (1) są w dobrym stanie oraz czy są poprawnie umieszczone.
- 2.2 Urządzenia należy używać wyłącznie na zewnątrz. Urządzenia NIE WOLNO używać ani zapalać na niewietrzonym obszarze, w pomieszczeniach, w namiotach, w pojazdach lub w innym zamkniętym miejscu.
- 2.3 Urządzenia należy używać wyłącznie na równej powierzchni.
- 2.4 Należy upewnić się, że w pobliżu urządzenia nie znajdują się materiały łatwopalne ani rozlane paliwo (zob. 4.8.6 oraz 6.8.6).
- 2.5 Kartusz gazowy/butlę z ciekłym paliwem zawsze należy zakładać lub wymieniać w bezpiecznym miejscu: wyłącznie na wolnym powietrzu, z dala od potencjalnych źródeł zaplonu (np. otwarty ogień, płomienie pilotujące, grzejniki elektryczne), a także z dala od innych osób.
- 2.6 Jeśli urządzenie jest nieszczęsne (czuć zapach gazu, benzyny), należy natychmiast przenieść je do dobrze wentylowanego i oddalonego od wszelkich źródeł zaplonu miejsca na otwartym powietrzu, gdzie nieszczelność będzie można zlokalizować i usunąć. Testy poprawnego działania urządzenia z użyciem kartusza gazowego można przeprowadzać jedynie na wolnym powietrzu. NIE WOLNO sprawdzać nieszczelności za pomocą otwartego ognia – należy użyć wody z mydłem.
- 2.7 W żadnym wypadku nie należy używać urządzenia z uszkodzonymi lub zużytymi złączami uszczelniającymi. W żadnym wypadku nie należy używać urządzenia, które jest nieszczęsne, uszkodzone lub nie działa prawidłowo.
- 2.8 Nigdy nie należy zostawiać urządzenia bez nadzoru, gdy otwarty jest płomień.
- 2.9 Nie należy dopuścić do całkowitego wygotowania płynu.

3. OBSŁUGA URZĄDZENIA

- 3.1 Należy uważać, aby nie dotykać gorących części urządzenia podczas używania lub po użyciu.
- 3.2 Przechowywanie: Kiedy urządzenie nie jest używane, należy odkręcić kartusz lub butlę z ciekłym paliwem. Kartusz lub butlę należy przechowywać w bezpiecznym i suchym miejscu z dala od źródeł ciepła.
- 3.3 Urządzenia nie należy używać do celów niezgodnych z jego przeznaczeniem.
- 3.4 Z urządzeniem należy obchodzić się w sposób ostrożny. Nie upuszczaj urządzenia.

4. MONTAŻ I OBSŁUGA URZĄDZENIA Z KARTUSZEM GAZOWYM (rys. 2 i 4)

- 4.1 **Stosując kartusz gazowy, należy bezwzględnie zapewnić, że przewód paliwowy jest całkowicie pozbawiony ciepłego paliwa. W przeciwnym razie może powstać niebezpieczny duży ogień! (Instrukcje opróżnienia przewodu paliwowego zawiera punkt 6.8.7.) Należy też upewnić się, że jest zainstalowana dysza 0,36 mm.**
- 4.2 Upewnij się, że zawór odcinający (2) i pokrętko dozujące gaz (5) są całkowicie zamknięte (poprzez przekręcenie pokręteł w kierunku zgodnym z ruchem wskazówek zegara).
- 4.3 Podczas podłączania kartusza (3) do zaworu trzymać go w pozycji pionowej.
- 4.4 Zawór podłączyć równo do górnej części kartusza (jak pokazano na rys. 2).
- 4.5 Ostrożnie wkręcić kartusz w zawór, aż zostanie on dociśnięty do pierścienia uszczelniającego. Uważać, aby nie uszkodzić głowicy kartusza. **Dokręcać wyłącznie ręcznie. Nie dokręcać za mocno, ponieważ może to uszkodzić zawór kartusza.**
- 4.6 Sprawdzić szczelność urządzenia. Przeprowadzić testy na wolnym powietrzu. **W ŻADNYM WYPADKU** nie wykorzystywać otwartego płomienia do sprawdzania szczelności. Obłąk złączenia i spoiny wodą z mydłem. W przypadku nieszczelności pojawiają się bąbelki. W razie wątpliwości lub usłyszenia bądź poczucia wydobywającego się gazu nie należy zapalać urządzenia. Należy odłączyć kartusz i skontaktować się z najbliższym autoryzowanym sprzedawcą.
- 4.7 Odchylić nóżki (podpory patelni) (12) i ustawić je w poprawnym położeniu względem osłony przed wiatrem (11).
- 4.8 Kuchenka jest gotowa do użycia.
- 4.9 Urządzenie zawsze ustawiać na równym podłożu. Należy upewnić się, że wąż jest całkowicie rozłożony i przebiega prosto między kartuszem i kuchenką. Kartusz należy trzymać z dala od ciepła wytwarzanego przez urządzenie.
- 4.10 Przekręcić zawór odcinający (2) i pokrętko dozujące

- gaz (5) w kierunku przeciwnym do ruchu wskazówek zegara i natychmiast zapalić palnik (4).
- 4.11 Płomień można regulować za pomocą pokrętki dozującego (5) lub zaworu odcinającego (2).
- 4.12 Po wyzwoleniu płomienia należy przystać z urządzenia w pozycji pionowej i nie przemieszczać go. Jeśli urządzenie nie zostało w pełni rozgrzane lub jeśli zostało poruszone, może wystąpić duży ogień.
- 4.13 Po użyciu należy najpierw zamknąć zawór odcinający (2). Kiedy wygaśnie płomień, zakręcić pokrętko dozujące (5).
- 4.14 Należy zachować minimalny odstęp od łatwopalnych materiałów. Minimalna dopuszczalna przestrzeń między urządzeniem a sufitem oraz urządzeniem i najbliższą ścianą wynosi 1250 mm. **Te minimalne odległości są koniecznym środkiem ostrożności.**

5. WYMIANA KARTUSZA

- 5.1 Całkowicie zamknąć zawór odcinający (2) i pokrętko dozujące (5). Sprawdzić, czy ogień został zgaszony i czy w pobliżu nie ma żadnego innego źródła ognia. Dokonać wymiany na otwartym powietrzu, z dala od ludzi. Odkręcić kartusz z zaworu i wymienić pierścieni uszczelniający, jeśli jest uszkodzony lub zużyty. Należy dopilnować, aby kartusz nie zaklinował się na gwincie, równomiernie odkręcając go zgodnie ze wskazówkami opisanymi w punkcie 4.

6. MONTAŻ I OBSŁUGA URZĄDZENIA Z BUTLĄ Z CIEKŁYM PALIWEM (rys. 3 i 4)

- 6.1 Urządzenie jest sprzedawane w komplecie z trzema dyszami. Dysza 36 jest przeznaczona do kartusza z gazem, dysza 32 – do benzyny ekstrakcyjnej i benzyny bezołowiowej, dysza 25 – do nafty, oleju napędowego i podobnych paliw. Należy upewnić się, że do urządzenia jest zamontowana odpowiednia dysza.
- 6.2 Napełnić butlę Primus ciekłym paliwem, nie przekraczając oznaczenia maksymalnego napełnienia. UWAGA: Nie wolno przepelniać butli!
- 6.3 Upewnij się, że zawór odcinający (2) i pokrętko dozujące gaz (5) są całkowicie zamknięte (poprzez przekręcenie pokręteł w kierunku zgodnym z ruchem wskazówek zegara).
- 6.4 Przykręcić pompkę (21) do butelki (20).
- 6.5 Ostrożnie wkręcić obracany zawór pompki (22) w zawór, aż zostanie on dociśnięty do pierścienia uszczelniającego (jak pokazano na rys. 3). Uważać, aby nie uszkodzić gwintu. **Dokręcać wyłącznie ręcznie – zbyt mocne dokręcenie uszkodzi połączenie.**
- 6.6 Odchylić nóżki (podpory patelni) (12) i ustawić je w poprawnym położeniu względem osłony przed wiatrem (11).
- 6.7 Wykonać około 20 pełnych wtóczeń (lub więcej, jeśli poziom paliwa jest poniżej oznaczenia maksymalnego napełnienia).
- 6.8 Ustawić butlę na solidnej, równej powierzchni. Oznaczenie „ON” na pompce powinno znajdować się z przodu.
- 6.9 Urządzenie zawsze należy ustawiać na stabilnym podłożu. Przewód znajdujący się pomiędzy kartuszem i kuchenką zawsze powinien być wyprostowany i nie może wejść w kontakt z płomieniem ani gorącym paliwem. **Przewód nie może być skręcony ani narażony na tarcie. Butlę z paliwem należy trzymać z dala od ciepła wytwarzanego przez urządzenie.**
- 6.10 Przekręcić zawór odcinający (2) i pokrętko dozujące gaz (5) pół obrotu w kierunku przeciwnym do ruchu wskazówek zegara. Odczekać około 2 sekundy, aby paliwo wypłynęło z dyszy, a następnie zakręcić pokrętko dozujące. W razie stosowania nafty lub oleju napędowego lub jeśli jest zimno i wietrznie, do podgrzania będzie potrzebna większa ilość paliwa. W takim przypadku należy odczekać 4–6 sekund na wypłynięcie paliwa.
- 6.11 Sprawdzić szczelność zaworu odcinającego, pokrętki dozującego gaz, pompki, dyszy, węża i przewodu paliwowego. **JEŚLI WYSTĘPUJĄ NIESZCZELNOŚCI, NIE UŻYWAĆ URZĄDZENIA.**
- 6.12 Zapalić podkładkę. **NIE POCHYLAĆ GŁOWY ANI CIAŁA NAD KUCHENKĄ!** Podkładka będzie palić się przez około 40 sekund (w razie użycia benzyny ekstrakcyjnej) lub dłużej (w razie użycia nafty lub oleju napędowego) bądź przy niskiej temperaturze otoczenia). Kiedy paliwo na nakładce będzie na wyczerpaniu (ale zanim zgaśnie płomień), powoli odkręcić pokrętko dozujące gaz (w kierunku przeciwnym do ruchu wskazówek zegara). Jeśli urządzenie pali się żółtym lub niestabilnym płomieniem, rozgrzewanie wstępne było niewystarczające. Spróbować przykręcić pokrętko dozujące gaz aż do osiągnięcia stabilnego pło-

- mienia o niebieskiej barwie i przez jakiś czas pozostawić słaby ogień, aby kuchenka się rozgrzała. Jeśli nadal nie można korzystać z pełnej mocy kuchenki, pozostaje jej wyłączenie, pozostawienie do całkowitego schłodzenia, a następnie powtórzenie procesu rozgrzewania wstępnego, wydłużając czas i stosując więcej paliwa. Należy pamiętać, że w czasie rozpalamia kuchenka musi być osłonięta od wiatru.
- 6.13 Po wyzwoleniu płomienia należy przystać z urządzenia w pozycji pionowej i nie przemieszczać go. Jeśli urządzenie nie zostało w pełni rozgrzane lub jeśli zostało poruszone, może wystąpić duży ogień.
- 6.14 Należy zachować minimalny odstęp od łatwopalnych materiałów. Minimalna dopuszczalna przestrzeń między urządzeniem a sufitem oraz urządzeniem i najbliższą ścianą wynosi 1250 mm. **Te minimalne odległości są koniecznym środkiem ostrożności.**
- 6.15 Aby wyłączyć urządzenie i opróżnić przewód paliwowy, przekręcić butlę z paliwem do pozycji, w której napis „OFF” na pompce znajduje się z przodu. Kiedy będzie wygasać płomień, a przez dyszę zacznie przepływać powietrze, zamknąć zawór odcinający (2), przekręcając pokrętko do oporu w kierunku przeciwnym do ruchu wskazówek zegara. Uwaga: Ten proces zajmie około minutę. Po wyłączeniu urządzenia należy również zakręcić pokrętko dozujące gaz (5). Przed złożeniem urządzenia należy pozostawić je do ochłodzenia.
- 6.16 **NIE WOLNO** ponownie rozpałać gorącego urządzenia. Gorące elementy mogą spowodować odparowanie ciekłego paliwa i utworzenie niebezpiecznej „ognistej kuli”.

7. KONSERWACJA

- 7.1 W razie korzystania z ciekłych paliw dyszę należy regularnie czyścić, aby zapewnić optymalne i bezawaryjne funkcjonowanie. Jeśli urządzenie jest używane przez dłuższy czas lub przy użyciu paliwa niskiej jakości, pokrętko regulacyjne (30) będzie wymagać wyczyszczenia.
- 7.2 **Czyszczenie dyszy**
Zamknąć zawór odcinający (2) i pokrętko dozujące gaz (5), a następnie odkręcić kartusz lub butlę z paliwem.
- 7.3 Dyszę (10) można wyczyścić od razu lub po odkręceniu od urządzenia.
- 7.4 Do czyszczenia dyszy użyć igły (26) dostarczonej wraz z urządzeniem.
- 7.5 Nałożyć dyszę z powrotem i starannie przykręcić, dbając o dobrą szczelność. Dla bezpieczeństwa należy kartusz Primus i sprawdzić złącza uszczelniające ciepłą wodą z mydłem. Pojawienie się bąbelków oznacza, że złącze nie są wystarczająco szczelne.
- 7.6 **Czyszczenie pokrętki regulacyjnej**
Odkręcić przeciwnokrętkę (31), korzystając z narzędzia wielofunkcyjnego. Odkręcić trzpień. Delikatnie wyczyścić trzy wyżłobienia na czubku trzpienia – można użyć np. paznokcia. Uważać, aby nie zniszczyć gwintu. Upewnij się, czy uszczelka trzpienia jest w nienaruszonym stanie, i sprawdzić jej szczelność po przykręceniu. Dla większego bezpieczeństwa zamocować kartusz Primus i sprawdzić szczelność za pomocą wody z mydłem. Pojawienie się bąbelków oznacza, że złącze nie jest szczelne.
- 7.7 **Pompka paliwowa**
Jeśli pompka nie spręża powietrza w butelce z paliwem, nieznacznie rozszerzyć skórzaną podkładkę (25) i nasączyć ją olejem do skóry Primus (ślina lub olejem mineralnym). Odkręcić i zdjąć tłoczek. Natrzeć tłoczek olejem do uzyskania miękkiej i giętkiej struktury. Jeśli pompka nadal nie spręża powietrza w butelce, wymienić tłoczek i przejść do punktu 7.8.
- 7.8 Jeśli pompka nie utrzymuje ciśnienia w butli z paliwem, wyczyścić i sprawdzić zawór jednokierunkowy (29). Zdjąć zawór i przetrzeć gumowy tłoczek szmatką. Założyć zawór.
- 7.9 **Rutynowa konserwacja i utrzymanie**
Zawsze należy sprawdzić, czy uszczelki znajdują się w odpowiedniej pozycji i czy ich stan jest odpowiedni. Taki sprawdzian należy wykonać każdorazowo przed montażem urządzenia. Jeśli uszczelki są uszkodzone lub zużyte, należy je wymienić. Zapasowe uszczelki są dostępne u lokalnych autoryzowanych sprzedawców.
- 7.10 **Narzędzie wielofunkcyjne**
Narzędzie przyda się do zdjecia i zamontowania dyszy (10), przeciwnokrętki (31), złączki węża (32), dolnej śruby (33) i blokady nakładki do rozpalamia (34). Zob. rys. 5.

8. WSKAZÓWKI I ROZWIĄZYWANIE PROBLEMÓW

Idealnym paliwem do kuchenki OmniLite Ti są kartusze z gazem (mieszanka propanu/butanu) marki Primus. Paliwo to jest łatwe w użyciu, zwykle nie wymaga rozgrzewania wstępnego, jest wydajne, przyjazne dla środowiska i czyste (brak sadzy). Wymaga minimalnych zabiegów konserwacyjnych i czyszczenia.

Wysokiej jakości benzyna ekstrakcyjna (PRIMUS PowerFuel, benzyna ekstrakcyjna MSR®/paliwo Coleman®) umożliwiają czyste – choć nie tak czyste jak w przypadku kartusza – spalanie i praktycznie nie pozostawia zanieczyszczeń w przewodzie paliwowym.

Kuchenka jest wyposażona w filtry paliwa umieszczone w przewodzie pompki (35). Filtry te zwykle nie wymagają konserwacji – jedynie wymiany w odpowiednim momencie. Podczas wymiany filtra umieszczonego w przewodzie pompki istniejący filtr można usunąć, wbijając w niego ostry przedmiot (np. igłę) i wyciągając na zewnątrz. Należy uważać, aby nie zniszczyć powłoki uszczelki. Należy przeprowadzić test szczelności – zgodnie z instrukcjami w punkcie 4.5.

Poniżej podano czynniki wpływające na funkcjonowanie kuchenki na kartusz z gazem oraz wskazówki, jak zwiększyć (lub utrzymać) wydajność urządzenia przy niskiej temperaturze.

Czynniki wpływające na intensywność płomienia:

- Ilość gazu w kartuszu
- Temperatura powietrza
- Początkowa temperatura gazu

Sposoby na zwiększenie wydajności przy niskiej temperaturze:

- Rozgrzanie kartusza poprzez postawienie go pionowo w naczyniu wypełnionym 2,5 cm wody.
- Rozgrzanie kartusza dłońmi lub włożenie go pod kurtkę przed podłączeniem do urządzenia.

Możliwe przyczyny mniejszej wydajności:

- Niewystarczające ciśnienie w butli z ciekłym paliwem
- Złożenie nieodpowiedniej dyszy
- Zablokowanie dyszy lub filtra dyszy
- Zablokowanie wyżłobień na pokrętle regulacyjnym (zob. punkt 7.5 powyżej)
- Zablokowanie filtra paliwa
- Niewystarczająca osłona urządzenia od wiatru itp.

Możliwe przyczyny niestabilnego płomienia o żółtej barwie:

- Niewystarczające rozgrzewanie wstępne
- Nieodpowiednia dysza
- Niewystarczająca osłona urządzenia od wiatru itp. Użyć owiewki lub ekranu odbijającego ciepło marki Primus albo przenieść kuchenkę w miejsce osłonięte od wiatru.
- Zbyt duże ciśnienie w butli z paliwem spowodowane zbyt intensywnym tłoczeniem. Zmniejszyć ciśnienie, zakręcając pokrętkę dozującą gaz.
- Stare lub niskiej jakości paliwo

9. SERWIS I NAPRAWA

- 1.1 Jeśli występuje usterka, której nie da się naprawić według powyższych instrukcji, należy zanieść urządzenie do lokalnego sprzedawcy.
- 1.2 Nie należy dokonywać kolejnych prób naprawy na własną rękę.
- 1.3 W żadnym wypadku nie należy przerabiać urządzenia – może być niebezpieczne.
- 1.4 Kuchenka turystyczna została zatwierdzona wraz z fabrycznie zamontowanym węzłem. W związku z tym **NIE WOLNO** zastępować go żadnym innym węzłem, jedynie modelem oryginalnym.

10. CZĘŚCI ZAMIENNE I AKCESORIA

- 10.1 Należy korzystać wyłącznie z części zamiennych i akcesoriów marki Primus. Podczas montażu części i akcesoriów nie należy dotykać gorących elementów.
- 10.2 Wymiana kartuszy: To urządzenie jest przeznaczone do stosowania wyłącznie z gazem Primus propan/butan/izobutan w kartuszach z oznaczeniem 2202, 2206 i 2207. Wymiana butli z paliwem: To urządzenie jest przeznaczone do stosowania wyłącznie z butlami z paliwem Primus z oznaczeniem 734120, 721950, 721960 i 732530.
- 10.3 Części zamienne można nabyć u przedstawiciela handlowego Primus lub importera produktów marki.
- 10.4 W razie trudności z nabyciem części zamiennych lub akcesoriów należy skontaktować się z importem (www.primusequipment.com).



3219 PRIMUS OmniLite Ti, Varič

POKYNY NA POUŽÍVÁNÍ

DŮLEŽITÉ UPOZORNĚNÍ: Pozorně si přečtěte tieto pokyny pred tým, ako pripojíte zariadenie k plynovej kartuši alebo fľaši s kvapalným palivom. Pokyny si v pravidelných intervaloch znova preštudujte, aby ste nezabudli správne používanie zariadenia, a odložte si ich na použitie v budúcnosti. **Nedodržanie týchto pokynov môže spôsobiť vážne zranenie alebo usmrtenie!**

UPOZORNĚNÍ: Toto zariadenie spotrebúva vzduch (kyslík) a vytvára oxid uhličitý. Na predchádzanie ohrozeniu života **NIKDY** nezapaľujte ani nepoužívajte zariadenie v nevetranom priestore, v interiéri, v stane, vo vozidle alebo inej uzavretej oblasti.

Používajte len vonku!

NIKDY nezakrývajte varič (plynovú kartušu alebo fľašu s kvapalným plynom) ochranným štítom, kameňmi ani podobnými predmetmi, ktoré môžu spôsobiť prehriatie a poškodiť varič a kartušu/fľašu s kvapalným plynom. Prehriatie plynovej kartuše alebo fľaše s kvapalným palivom takýmto spôsobom je mimoriadne nebezpečné.

PALIVÁ A VÝKON

Tryska 36 (0,36 mm)

- Plyn do kartúš Primus (zmes propanu/butanu/izobutanu) predstavuje ideálne palivo pre varič OmniLite Ti. Toto palivo sa veľmi jednoducho používa, väčšinou nevyžaduje žiadnu prípravu a je efektívne, šetrné k životnému prostrediu a čisté (bez sadzi). Vyžaduje len minimálnu údržbu a čistenie.

Tryska 32 (0,32 mm)

- Vysoko kvalitný čistý benzín (PRIMUS PowerFuel, MSR® White Gas/Coleman® Fuel) umožňuje čisté spaľovanie a v palivovom systéme nezanecháva prakticky žiadne usadeniny.
- Automobilový benzín sa smie používať len vo výnimočných prípadoch, pretože obsahuje prímеси, ktoré škodia vášmu zdraviu a tiež zanechávajú usadeniny v palivovom systéme.
- Zo zdravotných dôvodov sa nikdy nesmie používať olivnatý benzín.

Tryska 25 (0,25 mm)

- Hoci je petrolej dostupný po celom svete, vytvára viac sadzi, ťažšie sa pripravuje a vyžaduje časté čistenie.
- Motorová nafta sa smie použiť len v prípade, že nie je k dispozícii žiadne iné palivo. Spaľovanie motorovej nafty produkuje plameň s veľmi veľkým množstvom sadzi, jeho predhrievanie trvá dlho a vyžaduje časté čistenie.

1. ÚVOD

- 1.1 Toto zariadenie je navrhnuté na použitie len s plynovými kartušami Primus 2202, 2206 a 2207 so zmesami propanu/butanu/izobutanu alebo s fľašami s kvapalným palivom Primus s čistým benzínom (PRIMUS PowerFuel, MSR® White Gas/Coleman® Fuel), bezolovnatým benzínom, parafínom alebo inými, ekvivalentnými palivami.
- 1.2 Akýkoľvek pokus o inštaláciu iného typu plynových kartuší alebo fľaš s kvapalným palivom môže byť nebezpečný. Dôsledkom môže byť únik a následné poranenie alebo usmrtenie.
- 1.3 Spotreba plynu: 130 g/h / 6 300 Btu/h (pribl. 2,3 kW) pri tlaku 1 bar. (Kanada: plyn: 8 733 Btu/h, čistý benzín/petrolej 6 250 Btu/h)
- 1.4 Veľkosť trysky: 0,36 mm pre jednorazové kartuše Primus. Veľkosť trysky: 0,32 mm pre čistý benzín (PRIMUS PowerFuel, MSR® White Gas/Coleman® Fuel) a bezolovnatý benzín. Veľkosť trysky: 0,25 mm pre petrolej a podobné palivá.
- 1.5 Toto zariadenie je v súlade s normou EN 521, CAN1-11.2-M79 a CSA B140.9.2-1975. Schválenie CE (EN 521) platí len pre plyn LPG.
- 1.6 Vždy dbajte na to, aby bola hadička medzi kartušou a varičom rovná a aby sa nemohla dostať do kontaktu s plameňom alebo horúcimi plymami. Uistite sa, že hadička nie je skrútená a neodlína sa.

2. BEZPEČNOSTNÉ INFORMÁCIE (obr. 1)

- 2.1 Pred upevnením plynovej kartuše alebo fľaše s kvapalným palivom zaoštie, aby tesnenia zariadenia a čerpadla (1) boli na mieste a v dobrom stave.
- 2.2 Zariadenie sa má používať len vonku. NIKDY nezapaľujte ani nepoužívajte zariadenie v nevetranom priestore, v interiéri, v stane, vo vozidle alebo inej uzavretej oblasti.
- 2.3 Zariadenie sa musí používať len na rovnom povrchu.
- 2.4 Uistite sa, že sa v okolí zariadenia nenachádzajú žiadne horľavé materiály alebo vyliate palivo (pozrite si časti 4.8.6 a 6.8.6).
- 2.5 Plynovú kartušu alebo fľašu na kvapalné palivo vždy inštalujte alebo vymieňajte na bezpečnom mieste. Táto činnosť sa musí vykonávať len vonku, mimo potenciálnych zdrojov zapálenia, ako je otvorený plameň, zapaľovacie plamienky a elektrické ohne, a mimo iných osôb.
- 2.6 V prípade úniku z vášho zariadenia (zápach plynu, únik čistého benzínu) ihneď preneste varič na miesto v exteriéri s dobrou ventiláciou a mimo potenciálnych zdrojov zapálenia, kde možno tento únik preskúmať a opraviť. Kontrola správnej prevádzky zariadenia pri používaní plynu v kartuši sa smie vykonávať len vonku. NIKDY nekontrolujte úniky otvoreným ohňom, použite mydlovú vodu.
- 2.7 Nikdy nepoužívajte zariadenie s poškodenými alebo opotrebovanými tesneniami. Nikdy nepoužívajte netesné, poškodené alebo chybné zariadenie.
- 2.8 Keď je zariadenie zapálené, nikdy ho nenechajte bez dozoru.
- 2.9 Nikdy nenechajte úplne vyvrieť vodu z panvice.

3. MANIPULÁCIA SO ZARIADENÍM

- 3.1 Dávajte pozor a nedotýkajte sa horúcich častí zariadenia počas používania a po ňom.
- 3.2 Uloženie: Keď sa zariadenie nepoužíva, vždy kartušu alebo fľašu s kvapalným palivom odskrutkujte. Uložte kartušu alebo fľašu na bezpečnom, suchom mieste mimo zdrojov tepla.
- 3.3 Zariadenie nepoužívajte nesprávnym spôsobom ani na iný ako zamýšľaný účel.
- 3.4 So zariadením zaobchádzajte opatrne. Nenechajte ho spadnúť.

4. ZOSTAVENIE A POUŽÍVÁNIE ZARIADENIA S PLYNOVOU KARTUŠOU (obr. 2 a 4)

- 4.1 **Je absolútne nevyhnutné, aby bolo pri používaní plynu z kartuše palivové vedenie úplne bez kvapalného paliva, v opačnom prípade dôjde k vzniku nebezpečne vysokého plameňa! (Pokyny na vypustenie palivového systému nájdete v časti 6.8.7) Tiež skontrolujte, či je na inštalovaná 0,36 mm tryska.**
- 4.2 Skontrolujte, či sú uzatvárací ventil (2) a regulátor plynu (5) úplne zatvorené (otočením regulátora úplne v smere hodinových ručičiek).
- 4.3 Pri upevňovaní kartuše (3) na ventil držte kartušu vo vzpriamenej polohe.
- 4.4 Umiestnite ventil rovno na hornú časť kartuše (ako je to znázornené na obrázku 2).
- 4.5 Opatrne nasrutkujte kartušu na ventil, kým nedosadne na tesniaci krúžok, pričom dávajte pozor, aby ste nepretočili závit kartuše. **Uťahujte len rukou. Neutahujte nadmernou silou, v opačnom prípade sa môže ventil kartuše poškodiť.**
- 4.6 Skontrolujte, či je plynové tesnenie úplne tesné. Kontroly vykonávajte vonku. Na kontrolu netesnosti **NIKDY** nepoužívajte otvorený plameň. Naneste teplú mydlovú vodu na spoje a pripojenia a skontrolujte netesnosti, ktoré sa prejavujú ako bubliny v oblasti úniku. Ak máte pochybnosti alebo začujete či zacetíte unikajúci plyn, nepokúšajte sa zariadenie zapáliť. Odskrutkujte kartušu a obráťte sa na miestneho predajcu.
- 4.7 Otočte nožičky (podpery panvice) (12) na svoje miesto v ochrannom štíte (11).
- 4.8 Varič je teraz pripravený na použitie.
- 4.9 Zariadenie vždy pokladajte na stabilný povrch. Skontrolujte, či je hadička úplne rozvinutá a či vedie priamo medzi kartušou a varičom. Kartušu udržiavajte mimo tepla zo zariadenia.
- 4.10 Najskôr otočte uzatvárací ventil (2) a následne aj regulátor plynu (5) proti smeru hodinových ručičiek a ihneď zapáľte horák (4).

- 4.11 Upravte plameň pomocou regulátora plynu (5) alebo uzatváracieho ventilu (2).
- 4.12 Po zapálení nechajte zariadenie vo vzpriamenej polohe a nepohybujte ním. Ak zariadenie nebolo úplne predhriate alebo ak sa ním hýbalo bez náležitej pozornosti, môže dôjsť k vzniku vysokého plameňa.
- 4.13 Po použití zavrite najskôr uzatvárací ventil (2). Keď plameň zhasne, zavrite aj regulátor plynu (5).
- 4.14 Dodržiavajte minimálny odstup od horľavých materiálov. Minimálny prípustný odstup medzi zariadením a stropom a medzi zariadením a najbližšou stenou je 1 250 mm. **Tieto minimálne odstupy sa musia dodržiavať na zabránenie nebezpečenstvu požiaru.**

5. VÝMENA KARTUŠE

- 5.1 Úplne zavrite uzatvárací ventil (2) a regulátor plynu (5). Skontrolujte, či plameň zhasol a či sa v okolí nenachádza žiadený zdroj plameňa. Kartušu vymieňajte vonku a mimo iných ľudí. Odskrutkujte kartušu z ventilu a vymeňte tesniaci krúžok, ak je prasknutý alebo opotrebovaný. Zabráňte prekrúteniu závitú vloženie ventilu na závit kartuše úplne rovno a pevne ho priskrutkujte len rukou, ako je to popísané v časti 4.

6. ZOSTAVENIE A POUŽÍVANIE ZARIADENIA S KVAPALNÝM PALIVOM (obr. 3 a 4)

- 6.1 Zariadenie sa dodáva s tromi tryskami. Tryska 36 je určená na plyn z kartuší, tryska 32 pre čistý benzín a bezolovnatý benzín a tryska 25 pre petrolej, motorovú naftu a podobné palivá. Dbajte na to, aby bola nainštalovaná správna tryska.
- 6.2 Naplňte fľašu na palivo Primus kvapalným palivom po značku plnenia. POZNÁMKA! Fľašu nikdy neprepĺňajte!
- 6.3 Skontrolujte, či je uzatvárací ventil (2) a regulátor plynu (5) úplne zatvorený (otočením regulátora úplne v smere hodinových ručičiek).
- 6.4 Naskrutkujte čerpadlo (21) na fľašu s palivom (20).
- 6.5 Opatrne naskrutkujte otočnú spojku palivového čerpadla (22) do ventilu, kým nedosadne na tesniaci krúžok regulačného ventilu (ako je to znázornené na obr. 3). Dávajte pozor, aby ste nepretočili závit tohto pripojenia. **Doťahujte len rukou – nadmerné dotiahnutie poškodí spojenie.**
- 6.6 Otočte nožičky (podpery panvice) (12) na svoje miesto v ochrannom štíte (11).
- 6.7 Napumpujte približne 20 plných zdvihov alebo viac, ak je hladina paliva pod značkou plnenia na fľaši s palivom.
- 6.8 Umiestnite fľašu s palivom na pevný, rovný povrch s textom „ON“ na palivovom čerpadle smerom nahor.
- 6.9 Zariadenie vždy pokladajte na stabilný povrch. Vždy dbajte na to, aby bola hadička medzi kartušou a varičom rovná a aby sa nemohla dostať do kontaktu s plameňom alebo horúcimi plynmi. **Uistite sa, že hadička nie je skrútená a neodiera sa. Fľašu s palivom udržiavajte mimo tepla zo zariadenia.**
- 6.10 Najskôr otvorte uzatvárací ventil (2) a potom otvorte regulátor plynu (5) otočením o pol otočky proti smeru hodinových ručičiek. Pred zavretím regulátora ponechajte palivo striekať z trysky približne 2 sekundy. Ak používate petrolej alebo naftu alebo ak je chladné a veterné počasie, na predhriatie bude potrebné väčšie množstvo paliva. V takomto prípade nechajte palivo unikáť 4 – 6 sekúnd.
- 6.11 Skontrolujte netesnosť na uzatváracom ventilu, regulátore plynu, palivovom čerpadle, palivovej hadici a palivovom vedení. **ZARIADENIE NEPOUŽÍVAJTE, AK SA VYSKYTNÚ NETESNOSTI.**
- 6.12 Zapáľte pripravovaciu podložku. **NENAKLÁŇAJTE SA NAD ZARIADENIE HLAVOU ALEBO TELOM!** Pripravovacia podložka bude teraz horieť približne 40 sekúnd, ak sa používa čistý benzín, alebo dlhšie, ak sa používa petrolej alebo nafta, alebo ak je okolitá teplota nízka. Keď sa palivo na pripravovacej podložke začne miňať, ešte pred úplným zhasnutím plameňa pomaly otvárajte regulátor plynu (otáčaním proti smeru hodinových ručičiek). Ak zariadenie horí žltým alebo nestabilným

plameňom, príprava nebola dostatočná. Skúste trochu zavrieť regulátor plynu, kým nedosiahnete stabilný modrý plameň, a nechajte zariadenie chvíľu horieť na nízkom výkone, aby sa zahrielo. Ak varič stále nemožno používať pri plnom výkone, jedinou možnosťou je ho vypnúť, nechať úplne vychladnúť a zopakovať postup prípravy dlhšiu dobu a s použitím väčšieho množstva paliva na prípravu. Pamätajte, že varič musí byť počas tohto postupu chránený pred vetrom.

- 6.13 Po zapálení nechajte zariadenie vo vzpriamenej polohe a nepohybujte ním. Ak zariadenie nebolo úplne predhriate alebo ak sa ním hýbalo bez náležitej pozornosti, môže dôjsť k vzniku vysokého plameňa.
- 6.14 Dodržiavajte minimálny odstup od horľavých materiálov. Minimálny prípustný odstup medzi zariadením a stropom a medzi zariadením a najbližšou stenou je 1 250 mm. **Tieto minimálne odstupy sa musia dodržiavať na zabránenie nebezpečenstvu požiaru.**
- 6.15 Na vypnutie zariadenia a vyprázdnenie palivového systému prevráťte fľašu s palivom tak, aby nápis „OFF“ na palivovom čerpadle smeroval nahor. Keď plameň zhasne a cez trysku prúdi vzduch, zatvorte uzatvárací ventil (2) otočením regulátora plne proti smeru hodinových ručičiek. Poznámka! Tento postup trvá približne 1 minútu. Po vypnutí zariadenia tiež zavrite regulátor plynu (5). Pred demontážou počkajte, kým zariadenie nevychladne.
- 6.16 **NIKDY** opätovne nezapaľujte horúce zariadenie. Horúce časti môžu vypariť kvapalné palivo a vytvoriť nebezpečnú „ohnivú guľu“.

7. ÚDRŽBA

- 7.1 Keď sa používajú kvapalné palivá, na zaistenie optimálnej a bezproblémovej prevádzky je potrebné čistiť trysku. Ak sa zariadenie používa dlhý čas alebo sa používa s palivom nízkej kvality, regulačná ihla (30) bude vyžadovať čistenie.
- 7.2 **Čistenie trysky**
Zavrite uzatvárací ventil (2) a regulátor plynu (5) a odkrúťte kartušu alebo fľašu s palivom.
- 7.3 Trysku (10) možno čistiť v zariadení alebo demontovanú zo zariadenia.
- 7.4 Trysku čistite pomocou čistiacej ihly (26) dodanej so zariadením.
- 7.5 Znova nainštalujte trysku a pevne ju zakrúťte na miesto na zaistenie správneho dosadnutia. Na zaistenie väčšej bezpečnosti nainštalujte kartušu Primus a skontrolujte spoj teplou mydlovou vodou. Tvorenie bublín signalizuje, že spoj nie je dostatočne tesný.
- 7.6 Čistenie regulačnej ihly
Odskrutkujte poistnú maticu (31) pomocou multifunkčného nástroja. Odkrúťte ihlu. Opatrne vyčistite tri zárezy na hrote ihly, napríklad pomocou nehta. Dávajte pozor, aby sa nepoškodili závitové ihly. Skontrolujte bezchybný stav tesniaceho krúžka ihly a jeho tesnosti po opätovnej montáži. Na zaistenie lepšej bezpečnosti použite kartušu Primus a skontrolujte tesnosť spoja mydlovou vodou. Prítomnosť bublín signalizuje, že spoj nie je tesný.
- 7.7 **Palivové čerpadlo**
Ak čerpadlo nedokáže natlať fľašu s palivom, mierne natiahnite kožené tesnenie čerpadla (25) a namažte ho olejom na kožu Primus (slinou alebo minerálnym olejom). Odkrúťte a vytiahnite tyč čerpadla. Vtierať olej do tesnenia, kým nebude mäkké a vláčne. Ak čerpadlo naďalej nedokáže natlať palivové čerpadlo, vymeňte tesnenie alebo pokračujte bodom 7.7.
- 7.8 Ak čerpadlo nedokáže udržať tlak vo fľaši s palivom, skontrolujte a vyčistite spätný ventil (29). Demontujte ventil a utrite gumené tesnenie handričkou. Znova nainštalujte ventil.
- 7.9 **Pravidelný servis a údržba**
Vždy dbajte na to, aby boli tesnenia a tesniace krúžky správne umiestnené a v dobrom stave. Túto kontrolu vykonajte pri každom zložení zariadenia. Vymeňte tesnenia, ak sú poškodené alebo opotrebované. Nové tesnenia sú k dispozícii u vášho miestneho predajcu.
- 7.10 **Multifunkčný nástroj**
Tento nástroj sa používa na demontáž a montáž trysky (10), poistnej matice (31), pripojenia hadice (32), dolnej skrutky (33) a poistky pripravovacej podložky (34). Pozrite si obr. 5.

8. TIPY A RIEŠENIE PROBLÉMOV

- Plyn do kartuš Primus (zmes propánu/butánu/izobutánu) predstavuje ideálne palivo pre varič OmniLite Ti. Toto palivo sa veľmi jednoducho používa, väčšinou nevyžaduje žiadnu prípravu a je efektívne, šetrné k životnému prostrediu a čisté (bez sadz). Vyžaduje len minimálnu údržbu a čistenie.
- Vysoko kvalitný čistý benzín (PRIMUS PowerFuel, MSR® White Gas/Coleman® Fuel) – hoci nie je taký čistý ako plyn z kartuš – umožňuje čisté spaľovanie a v palivovom systéme nezanecháva prakticky žiadne usadeniny.
- Varič je vybavený palivovými filtermi v hadici čerpadla (35). Tieto filtre si väčšinou nevyžadujú žiadne úkony okrem jeho výmeny podľa potreby. Pri výmene filtra v pripojení hadice môžete existujúci filter vybrať zasunutím ostrého predmetu (napríklad ihly) do filtra a jeho vypáčením, pričom dávajte pozor na to, aby sa nepoškodili tesniacie plochy. Vykonajte test tesnosti podľa opisu v časti 4.5.
- Faktory, ktoré ovplyvňujú výkon varičov na plyn z kartuš, sú opísané nižšie a predstavujú aj tipy, ako zvýšiť (alebo zachovať) výkon v chladnom počasí.

Faktory vplyvajúce na tepelný výkon

- Množstvo plynu v kartuši
- Teplota okolitého vzduchu
- Počiatočná teplota plynu

Ako zvýšiť výkon v chladnom počasí

- Predhrejte kartušu umiestnením vo zvislej polohe do 2,5 cm (1") teplej vody.
- Predhrejte kartušu rukami alebo ju vložte do bundy pred jej pripojením k zariadeniu.

Možné príčiny zníženia výkonu

- Nedostatočný tlak vo fľaši s kvapalným palivom
- Nainštalovaná nesprávna tryska
- Zablockovaná tryska alebo filter trysky
- Zablockované drážky regulačnej ihly (pozrite si časť 7.5 vyššie)
- Zablockovaný palivový filter
- Zariadenie nie je chránené pred vetrom atď.

Možné príčiny nestabilného žltého plameňa

- Nedostatočná príprava
- Nesprávna tryska
- Zariadenie nie je chránené pred vetrom atď. Použite ochranný štít a tepelný reflektor Primus alebo presuňte varič do chránenej oblasti.
- Nadmerný tlak vo fľaši s palivom z dôvodu nadmerného pumpovania. Znížte výkon ostretím regulátora plynu.
- Staré alebo nekvalitné palivo

9. SERVIS A OPRAVA

- 9.1 Ak chybu nemožno opraviť pomocou nasledujúcich pokynov, vráťte zariadenie vášmu miestnemu predajcovi.
- 9.2 Nikdy sa nepokúšajte o inú údržbu alebo opravu.
- 9.3 Nikdy neupravujte zariadenie, nakoľko by sa mohla narušiť jeho bezpečnosť.
- 9.4 Zariadenie je schválené na použitie s hadicou nainštalovanou vo výrobe. Z tohto dôvodu sa NIKDY nesmie nahradiť za inú ako originálny typ.

10. DIELY A PRÍSLUŠENSTVO

- 10.1 Používajte len náhradné diely a príslušenstvo značky Primus. Pri inštalácii dielov a príslušenstva dávajte pozor, aby ste sa nedotkli horúcich častí.
- 10.2 Náhradné kartuše: S týmto zariadením používajte len plynové kartuše Primus 2202, 2206 a 2207 so zmesou propánu/butánu/izobutánu. Náhradné fľaše na palivo: S týmto zariadením používajte len fľaše na palivo Primus 734120, 721950, 721960 a 732530.
- 10.3 Diely sú dostupné u vášho predajcu produktov Primus alebo u vášho dovozcu.
- 10.4 Ak máte problém získať diely alebo príslušenstvo, obráťte sa na vášho dovozcu. Navštívte webovú stránku www.primusequipment.com.

POMEMBNO: Pred prikljopom naprave na plinsko kartušo ali steklenico s tekočim gorivom natančno preberite ta navodila. Občasno pregledajte navodila in osvežite znanje o delovanju naprave ter jih shranite za nadaljnjo uporabo. **Neupoštevanje teh navodil lahko povzroči resne poškodbe ali smrt.**

POZOR: Ta naprava porablja kisik in proizvaja ogljikov dioksid. Da preprečite življenjsko nevarnost, **NE** prižigajte in ne uporabljajte naprave v prostorih brez prezračevanja, v notranjih prostorih, v šotoru, v vozilu ali v drugih zaprtih prostorih.

Samo za uporabo na prostem!

NIKOLI NE pokrivajte kuhalnika (plinske kartuše ali steklenice s tekočim gorivom) z zaščito pred vetrom, kamni ali podobnimi predmeti, saj to lahko povzroči pregretje in s tem poškodbe kuhalnika in plinske kartuše/steklenice z gorivom. Pregrevanje plinske kartuše ali steklenice s tekočim gorivom na opisani način je izjemno nevarno.

GORIVO IN DELOVANJE

Šoba 36 (0,36 mm)

- Plinska kartuša Primus (mešanica propan/butan/izobutan) je idealno gorivo za kuhalnik OmniLite Ti. Uporaba tega goriva je enostavna, učinkovita, okolju prijazna in čista (brez saj), poleg tega predgrevanje običajno ni potrebno. Potrebno je minimalno vzdrževanje in čiščenje.

Šoba 32 (0,32 mm)

- Visokokakovostni čisti bencin (PRIMUS PowerFuel, MSR® White Gas/Coleman® Fuel) s čistim zgorevanjem, ki ne pušča usedlin v sistemu za gorivo.
- Bencin za vozila se sme uporabiti le v izjemnih primerih, saj vsebuje dodatke, ki so lahko zdravju škodljivi, poleg tega pa pušča usedline v sistemu za gorivo.
- Iz zdravstvenih razlogov ni dovoljeno uporabljati neosvinčenega bencina.

Šoba 25 (0,25 mm)

- Čeprav je kerozin na voljo povsod po svetu, tvori več saj, težje ga je predgreti in potrebno je pogostejše čiščenje.
- Dizelsko gorivo je dovoljeno uporabljati, če drugo gorivo ni na voljo. Dizelsko gorivo gori s sajastim plamenom, segreva se dlje, poleg tega je potrebno pogostejše čiščenje.

1. UVOD

- Ta naprava je narejena za uporabo s plinskimi kartušami Primus 2202, 2206 in 2207 z mešanico propan/butan/izobutan ali steklenicami s tekočim gorivom Primus za čisti bencin (PRIMUS PowerFuel, MSR® White Gas/Coleman® Fuel), neosvinčeni bencin, parafin in druga, enakovredna goriva.
- Uporaba drugih vrst plinskih jeklen ali steklenice s tekočim gorivom je lahko nevarna. Lahko povzroči uhajanje ter posledično poškodbo ali smrt.
- Poraba plina: 130 g/h / 6300 BTU/h (približno 2,3 kW) pri tlaku 1 bar. (Kanada: plin: 8733 Btu/h, čisti bencin/kerozin 6250 Btu/h)
- Velikost šobe: 0,36 mm za kartušo za enkratno uporabo Primus. Velikost šobe: 0,32 mm za čisti bencin (PRIMUS PowerFuel, gorivo MSR® White Gas/Coleman®) in neosvinčeni bencin. Velikost šobe: 0,25 mm za kerozin in podobna goriva.
- Ta naprava je skladna s standardom EN 521, CAN1-11.2-M79 in CSA B140.9.2-1975. Odobritev CE (EN 521) velja le za plinske kartuše LP.
- Zagotovite, da bo cev med kartušo in kuhalnikom ves čas poravnana in da ne more priti v stik s plamenom ali vročimi plini.** Prepričajte se, da cev ni zasukana ali opraskana.

2. VARNOSTNE INFORMACIJE (slika 1)

- Preden priključite plinsko kartušo ali steklenico

s tekočim gorivom, se prepričajte, da so tesnila (1) nameščena in da so v dobrem stanju.

2.2 Napravo smete uporabljati le na prostem.

NIKOLI NE prižigajte ali uporabljajte naprave v prostorih brez prezračevanja, v notranjih prostorih, v šotoru, v vozilu ali v drugih zaprtih prostorih.

2.3 Napravo vedno uporabljajte na ravni površini.

2.4 Poskrbite, da v bližini naprave ne bo vnetljivih materialov ali razlitega goriva (glejte 4.8.6 in 6.8.6).

2.5 Vedno namestite ali zamenjajte plinsko kartušo/steklenico s tekočim gorivom na varnem mestu. To naredite zunaj in ne v bližini možnih virov vžiga, kot je odprt ogenj, vžigalni plamenček ali električni ogenj, in ne v bližini ljudi.

2.6 V primeru puščanja iz naprave (kar nakazuje vonj po plinu, čistem bencinu itd.) kuhalnik takoj prenesite na zračen prostor na prostem, stran od morebitnih virov vžiga, tako da lahko uhajanje pregledate in popravite. Pravilno delovanje naprave pri uporabi plina smete preverjati le na prostem. **NIKOLI NE** preverjajte uhajanja z odprtim ognjem, temveč uporabite milnico.

2.7 Nikoli ne uporabljajte naprave s poškodovanimi ali izrabljenimi tesnili. Nikoli ne uporabljajte naprave, iz katere uhaja gorivo, je poškodovana ali okvarjena.

2.8 Prižgane naprave nikoli ne pustite nenadzorovane.

2.9 Ne pustite, da iz posode izpari vsa voda.

3. RAVNANJE Z NAPRAVO

- Pazite, da se ne dotikate vročih delov naprave med njeno uporabo ali po njej.
- Shranjevanje: Ko naprave ne uporabljate, z nje vedno odvijte kartušo ali steklenico s tekočim gorivom. Kartušo ali steklenico shranite na suhem, varnem mestu, stran od virov toplote.
- Naprave ne smete uporabiti napačno ali za opravila, ki jim ni namenjena.
- Z napravo ravnajte previdno. Pazite, da vam ne pade iz rok.

4. SESTAVLJANJE NAPRAVE S PLINSKO KARTUŠO IN NJENO DELOVANJE (sliki 2 in 4)

- Pred namestitvijo plinske kartuše je nujno napravo temeljito očisti, če je bil pred tem kot gorivo uporabljen čisti bencin, sicer lahko nastane zelo nevaren visok plamen. (Glejte poglavje 6.8.7 za navodila, kako očistiti sistem goriva.) Prav tako preverite, ali je nameščena šoba velikosti 0,36 mm.**
- Zagotovite, da sta zaporni ventil (2) in kontrolni gumb za dovod (5) popolnoma zaprta (tako, da zavrtite gumb do konca v smeri urnega kazalca).
- Kartuša naj bo med pritrditvijo na ventil postavljena pokonci (3).
- Na vrh kartuše namestite ventil (kot je prikazano na sliki 2).
- Kartušo previdno privijte na ventil do tesnilnega obročka O, pri čemer pazite, da sledite navoju. **Privijajte le ročno. Ne zatisnite pretesno, saj se ventil kartuše lahko poškoduje.**
- Prepričajte se, da plin ne uhaja. To preverite na prostem. **NIKOLI** ne preverjajte uhajanja z odprtim plamenom. Nanesite toplo milnico na spoje in tesnila in opazujte, ali se tvorijo mehurčki. Če ste v dvomih ali pa se uhajanje plina lahko sliši ali zavoha, naprave ne poskušajte prižgati. Kartušo odvijte in stopite v stik s lokalnim trgovcem.
- Zasukajte noge (nosilce za ponev) (12) v položaj na zaščiti pred vetrom (11).
- Zdaj je kuhalnik pripravljen za uporabo.
- Napravo vedno položite na stabilno površino. Zagotovite, da je cev do konca izvlečena in da poteka naravnost med kartušo in kuhalnikom. Kartuša naj ne bo v bližini toplote naprave.
- Najprej obrnite zaporni ventil (2) in nato kontrolni gumb za dovod (5) v nasprotni smeri urnega kazalca in takoj prižgite gorilnik (4).
- Prilagodite plamen s pomočjo kontrolnega gumba za dovod (5) ali zapornega ventila (2).
- Ko je naprava prižgana, jo uporabljajte v

pokončnem položaju in je ne premikajte. Če naprava ni bila dovolj predogreta ali če je bila neprevidno premaknjena, se lahko pojavi visok plamen.

4.13 Po uporabi najprej zaprite zaporni ventil (2). Ko plamen ugasne, zaprite še kontrolni gumb za dovod (5).

4.14 Treba je zagotoviti minimalno oddaljenost do vnetljivih materialov. Najmanjša dovoljena razdalja med napravo in stropom ter med napravo in najbližjo steno je 1.250 mm. **To najmanjšo razdaljo je treba upoštevati, da s tem preprečimo nevarnost požara.**

5. MENJAVA KARTUŠE

5.1 Do konca zaprite zaporni ventil (2) in kontrolni gumb za dovod (5). Preverite, da je plamen ugasnjen in da v bližini ni drugega vira ognja. Kartušo menjajte na prostem, kjer v bližini ni drugih ljudi. Odvijte kartušo s kuhalnika in zamenjajte tesnilni obroček O, če je razpokan ali obrabljen. Pri privijanju sledite navoju tako, da ventil namestite naravnost na navoj kartuše in privijate ročno, kot je opisano v 4. poglavju.

6. SESTAVLJANJE NAPRAVE S TEKOČIM GORIVOM IN NJENO DELOVANJE (sliki 3 in 4)

- Naprava ima možnost treh različnih šob. Šoba 36 je namenjena plinski kartuši, šoba 32 čistemu bencinu in neosvinčenemu bencinu, šoba 25 pa kerozinu, dizelskemu gorivu in podobnim gorivom. Prepričajte se, da je nameščena ustrežna šoba.
- Napolnite steklenico za tekoče gorivo do oznake. **OPOMBA!** Nikoli ne nalijte goriva čez oznako.
- Zagotovite, da sta zaporni ventil (2) in kontrolni gumb za dovod (5) popolnoma zaprta (tako, da zavrtite gumb do konca v smeri urnega kazalca).
- Privijte črpalko (21) na steklenico za gorivo (20).
- Previdno privijte spojni vijak črpalke za gorivo (22) na ventil do tesnilnega obročka O (kot je prikazano na sliki 3). Pri privijanju sledite navoju. Privijajte le ročno – pretesno privijanje poškoduje spoj.
- Zasukajte noge (nosilce za ponev) (12) v položaj na zaščiti pred vetrom (11).
- Stisnite črpalko 20-krat ali več, če je nivo goriva pod oznako na steklenici za gorivo.
- Položite steklenico za gorivo na trdno, ravno podlago tako, da je napis „ON“ navzgor.
- Napravo vedno položite na stabilno površino. Zagotovite, da je cev med kartušo in kuhalnikom ves čas poravnana in da ne more priti v stik s plamenom ali z vročimi plini. **Prepričajte se, da cev ni zasukana ali opraskana. Steklenica za gorivo naj ne bo v bližini vira toplote naprave.**
- Najprej odprite zaporni ventil (2), nato odprite kontrolni gumb za dovod (5) tako, da ga za pol obrata obrnete v nasprotni smeri urnega kazalca. Pustite, da gorivo za 2 sekundi brizga iz šobe, nato zaprite kontrolni gumb. Če uporabljate kerozin ali dizelsko gorivo, ali če je vreme mrzlo in vetrovno, se za predgrevanje porabi več goriva. V tem primeru pustite, da gorivo uhaja 4-6 sekund.
- Preverite uhajanje pri zapornem ventilu, kontrolnem gumbu za dovod plina, črpalci za gorivo, šobi, cevi za gorivo in liniji goriva na napravi. **ČE NAPRAVA PUŠČA, JE NE UPORABLJAJTE.**
- Prižgite blazinico za predgrevanje. **Z GLAVO ALI TELESOM SE NE NAGIBAJTE ČEZ NAPRAVO!** Pri uporabi čistega bencina bo blazinica za predgrevanje gorela 40 sekund, pri uporabi bencina ali dizelskega goriva ali pri nižjih temperaturah okolice pa še dlje. Počasi odprite kontrolni gumb za dovod (tako, da ga obrnete v nasprotni smeri urnega kazalca), ko goriva v blazinici za predgrevanje zmanjkuje in še preden plamen čisto ugasne. Če naprava gori z rumenim ali nestabilnim plamenom, je bilo predgrevanje nezadostno. Poskušajte zapreti kontrolni gumb za dovod, dokler se ne vzpostavi stabilen, moder plamen, in pustite, da naprava gori z nižjo močjo, dokler se ne

segreje. Če kuhalnika ni mogoče uporabljati pri najvišji moči, napravo ugasnite, pustite, da se čisto ohladi in ponovite postopek predgrevanja, ki naj traja dlje časa, poleg tega za predgrevanje uporabite več goriva. Upoštevajte, da je treba napravo med tem postopkom zaščititi pred vetrom.

- 6.13 Ko je naprava prižgana, jo uporabljajte v pokončnem položaju in je ne premikajte. Če naprava ni bila dovolj predogreta ali če je bila nepredvidno premaknjena, se lahko pojavi visok plamen.
- 6.14 Treba je zagotoviti minimalno oddaljenost do vnetljivih materialov. Najmanjša dovoljena razdalja med napravo in stropom ter med napravo in najbližjo steno je 1.250 mm (48 palcev). **To najmanjšo razdaljo je treba upoštevati, da s tem preprečimo nevarnost požara.**
- 6.15 Za izklop naprave in izpraznitev sistema goriva obrnite steklenico za gorivo naokoli, tako da je na črpalki za gorivo napis „OFF“ obrnjen navzgor. Ko je plamen ugasnjen in skozi šobo uhaaja zrak, zaprite zaporni ventil (2) tako, da gumb do konca obrnete v nasprotni smeri urnega kazalca. Opomba! Ta postopek traja približno 1 minuto. Ko je naprava ugasnjena, zaprite tudi kontrolni gumb za dovod (5). Pustite, da se naprava ohladi, preden jo razstavite.
- 6.16 **NIKOLI** ponovno NE prižigajte vroče naprave. Vroči deli lahko povzročijo, da se tekoče gorivo upari in nastane lahko nevarna „ognjena krogla“.

7. VZDRŽEVANJE

- 7.1 Ko uporabljate tekoča goriva, morate za optimalno delovanje brez napak redno čistiti šobo. Če napravo uporabljate dlje časa ali če je kakovost goriva slaba, morate očistiti kontrolno vreteno (30).
- 7.2 **Čiščenje šobe**
Zaprite zaporni ventil (2) in kontrolni gumb za dovod (5) ter odvijte kartušo ali steklenico za gorivo.
- 7.3 Šobo (10) je mogoče očistiti takoj ali pa ko jo odvijete z naprave.
- 7.4 Očistite šobo z iglo za čiščenje (26), ki je priložena napravi.
- 7.5 Ponovno namestite šobo in jo varno zatisnite, da zagotovite dober stik. Namestite kartušo Primus za dodatno varnost in preverite stik s toplo milnico. Pojav mehurčkov nakazuje, da spoj ni dovolj tesen.
- 7.6 **Čiščenje kontrolnega vretena**
Odvijte zaklepno matico (31) s pomočjo večnamenskega orodja. Odvijte vreteno. Predvidno očistite tri zarezane na vrhu vretena, lahko kar z nohtom. Pazite, da ne poškodujete navoje vretena. Preverite, da je tesnilni obroček O na vretenu na mestu in preverite, ali je dovolj tesno nameščen. Za dodatno varnost uporabite kartušo Primus in preverite trdnost stika z milnico. Prisotnost mehurčkov nakazuje, da spoj ni dovolj tesen.
- 7.7 **Črpalka za gorivo**
Če črpalka ne ustvari pritiska v steklenici za gorivo, raztegnete tesnilo na črpalki (25) in ga namažite z oljem Primus (slna ali mineralno olje). Odvijte in odstranite palico črpalke. Nanesite olje na tesnilo, da se zmehča in postane prožno. Če črpalka še vedno ne more ustvariti pritiska v steklenici za gorivo, zamenjajte tesnilo ali nadaljujte s točko 7.8.
- 7.8 Če črpalka ne more vzdrževati pritiska v posodi za gorivo, očistite in preverite nepovratni ventil (29). Odstranite ventil in obrišite gumijasto tesnilo s krpo. Ponovno namestite ventil.
- 7.9 **Redni servis in vzdrževanje**
Vedno preverite, ali so tesnila in tesnilni obročki O pravilno nameščeni in v dobrem stanju. To preverite vsakič, ko sestavite napravo. Če so tesnila poškodovana ali izrabljena, jih zamenjajte. Nova tesnila lahko dobite pri lokalnem trgovcu.
- 7.10 **Večnamensko orodje**
Orodje se uporablja za odstranjevanje ali namestitve šobe (10), matic (31), spoja cevi (32), spodnjega vijaka (33) in zaklepa blazinice za predgrevanje (34). Glejte sliko 5.

8. NAMIGI IN ODPRAVLJANJE NAPAK

Plinska kartuša Primus (mešanica propan/butan) je idealno gorivo za kuhalik OmniLite Ti. Uporaba tega goriva je enostavna, učinkovita, okolju prijazna in čista (brez saj), poleg tega predgrevanje običajno ni potrebno. Potrebno je minimalno vzdrževanje in čiščenje.

Visokokakovostni čisti bencin (PRIMUS PowerFuel, MSR® White Gas/Coleman® Fuel) s čistim zgorevanjem, ki ne pušča usedlin v sistem za gorivo – čeprav ni tako čist kot plin.

Kuhalik je opremljen s filtri za gorivo v cevi črpalke (35). Ti filtri ne zahtevajo nič drugega kot zamenjavo, ko je to potrebno. Ko zamenjate filter v spoju cevi, lahko odstranite obstoječi filter tako, da uporabite šilast predmet (npr. šivanko) in ga povlečete ven, pri čemer pazite, da ne poškodujete okolice tesnila. Izvedite preverjanje uhajanja, kot opisano v točki 4.5.

Dejavniki, ki vplivajo na delovanje kuhalnika na plin, so naštetih spodaj, skupaj z namigi, kako povečati (ali ohranjati) delovanje v mrzlem vremenu.

Dejavniki, ki vplivajo na oddajanje toplote

- Količina plina v kartuši
- Temperatura zraka v okolici
- Začetna temperatura plina

Kako povečati delovanje v mrzlem vremenu

- Predogrejte kartušo tako, da jo postavite pokončno v 2,5 cm vroče vode.
- Predogrejte kartušo z rokami ali pa jo ogrejte pod jakno, preden jo namestite na napravo.

Možni vzroki manjše moči

- Nezadostni pritisk v steklenici s tekočim gorivom
- Neustrezna namestitve šobe
- Zapora v šobi ali filtru šobe
- Zapora v zarezah kontrolnega vretena (glejte točko 7.5 zgoraj)
- Zapora v filtru za gorivo
- Naprava ni zaščitena pred vetrom itd.

Možni vzroki za nestabilen, rumen plamen

- Nezadostno predgrevanje
- Neustrezna šoba
- Naprava ni zaščitena pred vetrom itd. Uporabite zaščito pred vetrom Primus in odbojnik toplote ali prestavite kuhalik v zavetje.
- Previsok tlak v steklenici za gorivo zaradi čezmernega črpanja. Zmanjšajte moč tako, da zaprete kontrolni gumb za dovod.
- Staro ali nekakovostno gorivo.

9. SERVIS IN POPRAVILA

- 9.1 Če napake ne morete odpraviti s pomočjo teh navodil, napravo vrnite lokalnemu trgovcu.
- 9.2 Nikoli ne vzdržujte ali popravljajte naprave na drugačen način.
- 9.3 Naprave nikoli ne spreminjajte, saj zato morda ne bo varna za uporabo.
- 9.4 Naprava je bila odobrena za uporabo s priloženo cevjo. Zato cevi **NIKOLI** ne smete zamenjati za drugo vrsto cevi.

10. REZERVNI DELI IN DODATKI

- 10.1 Uporabljajte le rezervne dele in dodatke Primus. Ko nameščate dele in dodatke, pazite, da se ne dotikate vročih delov.
- 10.2 Nadomestne kartuše: S to napravo uporabljajte le plinske kartuše PRIMUS 2202, 2206 in 2207 (mešanica propana/izobutana/butana). Nadomestne steklenice za gorivo: Na tej napravi uporabljajte le nadomestne steklenice za gorivo Primus 734120, 721950, 721960 in 732530.
- 10.3 Nadomestni deli so na voljo pri vašem lokalnem trgovcu Primus ali pri uvozniku.
- 10.4 Stopite v stik z uvoznikom, če ne morete dobiti rezervnih delov ali dodatkov, in obiščite www.primusequipment.com.



SVARĪGI: Rūpīgi izlasiet šīs instrukcijas pirms pievienot ierīci gāzes kasetnei vai sašķidrīnātās gāzes pudelei. Pārlasiet instrukcijas regulāri, laiku pa laiku, lai atsvaidzinātu informāciju par ierīces lietošanu, saglabājiet tās turpmākai lietošanai. **Šo instrukciju neievērošana var izraisīt smagus ievainojumus vai nāvi!**

UZMANĪBU! Šī ierīce patērē gaisu (skābekli) un ražo oglekļa dioksīdu. Lai izvairītos no briesmām dzīvībai, **NEKAD** neaizdedziniet vai neizmantojiet ierīci nevēdināmā telpā, telpās, teltī, transportlīdzeklī vai jebkurā citā slēgtā vietā.

Izmantot tikai ārpus telpām!

NEKAD neapklājiet plīti (gāzes kasetni vai šķidrās degvielas balonu) ar vēja aizsargu, akmeņiem vai līdzīgiem priekšmetiem, kas var izraisīt pārkaršanu un bojājumus plītij un kasetnei/degvielas pudelei. Gāzes kasetnes vai šķidrās degvielas pudeles pārkaršana šādā veidā ir ārkārtīgi bīstama.

DEGVIELAS UN VEIKUMS

Dīze 36 (0,36mm)

- Primus gāzes kasetne (propāna/butāna/izobutāna maisījums) ir ideāla degviela OmniLite Ti plītij. Degviela ir ļoti viegli izmantojama, parasti tai nav nepieciešama uzpildīšana, un ir efektīva, videi draudzīga un tīra (nav sodrēju). Nepieciešama minimāla kopšana un tīrīšana.

Dīze 32 (0,32mm)

- Augstas kvalitātes tīrs benzīns (PRIMUS PowerFuel, MSR® White Gas/Coleman® degviela) nodrošina tīru sadegšanu un praktiski neatstāj nosēdumus degvielas sistēmā.
- Auto degvielu jāizmanto tikai izņēmuma gadījumos, jo tā satur piedevus, kuras ir bīstamas jūsu veselībai un arī atstāj nosēdumus degvielas sistēmā.
- Nekad nedrīkst izmantot degvielu ar svina piedevu, kas ir kaitīga veselībai.

Dīze 25 (0,25mm)

- Lai gan petroleja ir pieejama visā pasaulē, tā rada vairāk kvēpu, ir grūtāk uzpildāma un prasa regulāru tīrīšanu.
- Dīzeldegvielu var izmantot, ja nav pieejama neviena cita degviela. Dīzeldegviela deg ar ļoti kvēpainu liesmu, nepieciešams ilgs laiks uzsilīšanai un bieža tīrīšana

1. IEVADS

- 1.1 Šī ierīce ir veidota izmantošanai tikai ar Primus 2202, 2206 un 2207 gāzes kasetnēm, kas satur propāna/butāna/izobutāna gāzes maisījumu vai Primus šķidrās degvielas pudeļēm tīram benzīnam (PRIMUS PowerFuel, MSR® White Gas/Coleman® Fuel), svinu nesaturošu benzīnu, petroleju un citām līdzvērtīgām degvielām.
- 1.2 Jebkurš mēģinājums pievienot cita veida gāzes kasetnes vai šķidrās degvielas pudeles var būt bīstams. Tas var izraisīt noplūdes, radot ievainojumus vai nāvi.
- 1.3 Gāzes patēriņš: 130 g/h / 6300 Btu/h (aptuveni 2,3 kW) pie 1 bāra spiediena. (Kanāda: gāze: 8733 Btu/h, benzīns/petroleja 6250 Btu/h)
- 1.4 Dīzes izmērs: 0,36 mm Primus vienreizlietojamām kasetnēm. Dīzes izmērs: 0,32 mm tīram benzīnam (PRIMUS PowerFuel, MSR® White Gas/Coleman® Fuel) un svinu nesaturošam benzīnam. Dīzes izmērs: 0,25 mm petrolejai un līdzīgām degvielām.
- 1.5 Šī ierīce atbilst EN 521, CAN1-11.2-M79 un CSA B140.9.2-1975. CE apstiprinājums (EN521) attiecas tikai uz LP gāzi.
- 1.6 **Vienmēr nodrošiniet, ka šūtene starp kasetni un plīti ir taisna un nevar nonākt saskarē ar liesmu vai kars-tajām gāzēm.** Nodrošiniet, ka šūtene nav saliekta vai pakļauta mehāniskai iedarbībai.

8. IETEIKUMI UN TRAUČĒJUMMEKLĒŠANA

Primus gāzes kasetne (propāna/butāna/izobutāna maisījums) ir ideāla degviela OmniLite Ti plītij. Degviela ir ļoti viegli izmantojama, parasti tai nav nepieciešama uzpildīšana, un ir efektīva, videi draudzīga un tīra (nav sodrēju). Nepieciešama minimāla kopšana un tīršana. Augstas kvalitātes tīrs benzīns (PRIMUS PowerFuel, MSR® White Gas/Coleman® degviela) nodrošina tīru sadegšanu, un, lai gan nav tik tīrs kā kasetnes gāze, praktiski neatstāj nosēdumus degvielas sistēmā.

Plīts ir aprīkota ar degvielas filtra sūkņa šļūtenē (35). Šiem filtra parasti nav nepieciešama lielāka uzmanība kā nomaīņa, kad nepieciešams. Nomainot filtru šļūtenes savienojumā, pašreizējo filtru var noņemt, iedurot filtra asu priekšmetu (piemēram adatu) un izvelkot to ārā, ievērojot piesardzību, lai izvairītos no bojājumiem blīvējumu vietām. Veiciet noplūžu pārbaudi kā aprakstīts punktā 4.5. Iemesli, kas ietekmē plīti, kas darbojas ar gāzes kasetni, jaudu ir uzskaitīti tālāk, kopā ar padomiem kā palielināt (vai saglabāt) jaudu aukstos laikapstākļos.

Iemesli, kas ietekmē plīti karstuma atdevi

- Gāzes daudzums kasetnē
- Apkārtējā gaisa temperatūra
- Sākotnējā gāzes temperatūra

Kā palielināt atdevi aukstā laikā

- Iepriekš uzsiliet kasetni, ievietojot to vertikāli 2,5 cm (1 collu) dziļā siltā ūdenī.
- Iepriekš uzsiliet kasetni ar rokām, vai ievietojot to zem jakas pirms pievienot ierīcei.

Iespējamie samazinātas jaudas cēloņi

- Nepietiekams spiediens šķidrās degvielas pudelē
- Uzstādīta nepareiza dīze
- Dīze vai dīzes filtrs nosprostots
- Regulēšanas vārpstas rievās nosprostotas (skatīt iepriekš punktu 7.5)
- Nosprostots degvielas filtrs
- Ierīce nav aizsargāta no vēja utt.

Iespējamie nestabilas, dzeltenas liesmas cēloņi

- Nepietiekama uzpilde
- Nepareiza sprausla
- Ierīce nav aizsargāta no vēja utt. Izmantojiet Primus vēja aizsargu un karstuma aizsargu vai pārvietojiet plīti aizsegta vietā.
- Pārmērīgs spiediens degvielas pudelē no pārmērīgas sūkņēšanas. Samaziniet jaudu, aizverot gāzes regulēšanas pogu.
- Vecs vai sliktas kvalitātes filtrs

9. SERVISS UN REMONTS

- 9.1 Ja kļūmi nevar novērst, izmantojot šīs norādes, nododiet ierīci jūsu vietējam izplatītājam.
- 9.2 Nekad nemēģiniet jebkādu citu apkopi vai remontu.
- 9.3 Nekad nepārveidojiet ierīci, jo tas var būt nedroši.
- 9.4 Plīts ir apstiprināta lietošanai ar rūpnīcā uzstādīto šļūteni. Šī iemesla dēļ šļūteni **NEKAD** nedrīkst nomainīt uz kāda cita veida, nevis oriģinālo.

10. DAĻAS UN PIEDERUMI

- 10.1 Izmantojiet tikai Primus zīmola daļas un piederumus. Ievērojiet piesardzību, lai izvairītos no pieskaršanās karstām daļām, uzstādot daļas un piederumus.
- 10.2 Nomaīņas kasetnes: Šai ierīcei izmantojiet tikai Primus 2202, 2206 un 2207 propāna/butāna/izobutāna maisījuma gāzes kasetnes. Nomaīņas degvielas pudeles: Lietojiet tikai Primus 734120, 721950, 721960 un 732530 degvielas pudeles.
- 10.3 Daļas ir pieejamas pie jūsu Primus izplatītāja vai importētāja.
- 10.4 Sazinieties ar jūsu importētāju, ja jums rodas jebkādas grūtības rezerves daļu vai piederumu iegādē; apmeklējiet vietni www.primusequipment.com.



3219 PRIMUS OmniLite T INSTRUCIŅI DE FOLOSIRE

IMPORTANT: Citiņi cu atenție aceste instrucțiuni înainte de a conecta arzătorul la cartușul de gaz sau la recipientul cu combustibil lichid. Studiați instrucțiunile la intervale regulate pentru a rămâne familiarizat cu funcționarea arzătorului și păstrați-le pentru a le consulta în viitor. **Nerespectarea acestor instrucțiuni poate duce la răniiri grave sau decese!**

ATENȚIE: Arzătorul consumă aer (oxigen) și produce dioxid de carbon. Pentru a evita pericolul de moarte, **NU** aprindeți sau utilizați arzătorul într-un spațiu neventilat, în interior, într-un cort, într-un vehicul sau în orice altă zonă închisă. **Utilizați-l numai în exterior!**

NU acoperiți arzătorul (indiferent dacă funcționează cu gaz sau combustibil lichid) cu o apărătoare de vânt, cu pietre sau cu alte obiecte similare care pot cauza supraîncălzirea sau deteriorarea arzătorului și/sau a cartușului de gaz/recipientului cu combustibil lichid. Supraîncălzirea unui cartuș de gaz sau a unui recipient cu combustibil lichid în acest mod este extrem de periculoasă.

COMBUSTIBILI ȘI PERFORMANȚĂ

Duza 36 (0,36 mm)

- Gazul de cartuș Primus (amestec de propan/butan/izobutan) este combustibilul ideal pentru arzătorul OmniLite Ti. Este un combustibil foarte ușor de folosit, care în mod normal nu necesită amorsare și este eficient, ecologic și curat (nu produce funingine). Necesită un efort minim de întreținere și curățare.

Duza 32 (0,32 mm)

- Benzina nafta de înaltă calitate (PRIMUS PowerFuel, MSR® White Gas / Coleman® Fuel) arde curat și nu lasă practic nici un fel de depunere în sistemul de alimentare cu combustibil.
- Benzina pentru vehicule ar trebui utilizată numai în cazuri excepționale, deoarece conține aditivi nocivi pentru sănătate și în plus, lasă depuneri în sistemul de alimentare cu combustibil.
- Din motive de sănătate, benzina cu plumb nu trebuie utilizată niciodată.

Duza 25 (0,25 mm)

- Kerosenul este disponibil peste tot în lume, dar generează mai multă funingine, este mai dificil de amorsat și necesită curățare frecventă.
- Motorina poate fi utilizată dacă nu este disponibil nici un alt combustibil. Motorina arde cu o flacără foarte moale, are nevoie de mult timp pentru preîncălzire și necesită curățare frecventă.

1. INTRODUCERE

- 1.1 Acest arzător poate fi utilizat numai cu cartușe de gaz Primus 2202, 2206 și 2207 cu amestecuri de propan/butan/izobutan sau recipiente Primus cu benzină nafta (PRIMUS PowerFuel, MSR® White Gas / Coleman® Fuel), benzină fără plumb, kerosen și alți combustibili echivalenți.
- 1.2 Orice încercare de a adapta un alt tip de cartuș de gaz sau de recipient cu combustibil lichid poate fi periculoasă. Se pot produce scurgeri de combustibil, care pot duce la răniiri sau chiar decese.
- 1.3 Consumul de gaz: 130 g/h / 6 300 btu/h (aprox. 2,3 kW) la o presiune de 1 bar. (Canada: gaz: 8733 btu/h, benzină nafta/kerosen: 6250 btu/h)
- 1.4 Diametrul duzei: 0,36 mm pentru cartușele de unică folosință Primus. Diametrul duzei: 0,32 mm pentru benzină nafta (PRIMUS PowerFuel, MSR® White Gas / Coleman® Fuel) și benzina fără plumb. Diametrul duzei: 0,25 mm pentru kerosen și combustibili similari.
- 1.5 Acest arzător respectă standardele EN 521, CAN1-11.2-M79 și CSA B140.9.2-1975. Aprobarea CE (EN 521) privește doar gazul petrolier lichefiat (GPL).
- 1.6 **Asigurați-vă că furtunul dintre cartuș și arzător este drept și nu poate intra în contact cu flacăra sau gazele fierbinți.** Asigurați-vă că furtunul nu este răsucit și nu este expus riscului de abraziune.

2. INFORMAȚII PRIVIND SIGURANȚA (Figura 1)

- 2.1 Asigurați-vă că arzătorul și garniturile pompei (1) sunt corect instalate și în stare bună înainte de a

monta cartușul cu gaz sau recipientul cu combustibil lichid.

- 2.2 Arzătorul poate fi utilizat numai în exterior. Nu folosiți niciodată arzătorul în încăperi neventilate, în interior, într-un cort, într-un vehicul sau în orice alt spațiu închis.
- 2.3 Aparatul trebuie să fir amplasat pe o suprafață plană.
- 2.4 Asigurați-vă că nu există materiale inflamabile sau combustibil vărsat în apropierea arzătorului (vezi 4.8.6 și 6.8.6).
- 2.5 Montați sau înlocuiți cartușul de gaz/recipientul cu combustibil lichid într-un loc sigur. Această operație trebuie făcută numai în exterior, cât mai departe de posibile surse de aprindere, cum ar fi flăcări deschise, felinare, surse de scântei electrice și departe de alte persoane.
- 2.6 În cazul unei scurgeri din arzător (indicată de un miros de gaz sau benzină etc.), scoateți imediat arzătorul într-o locație bine ventilată, în exterior, departe de sursele posibile de aprindere, unde scurgerea poate fi investigată și corectată. Verificarea funcționării corecte a arzătorului atunci când se utilizează un cartuș de gaz trebuie efectuată numai în aer liber. NU verificați eventualele scurgeri cu o flacără deschisă. Utilizați apă cu săpun.
- 2.7 Nu folosiți niciodată un arzător cu garnituri deteriorate sau uzate. Nu folosiți niciodată un arzător care prezintă scurgeri, deteriorări sau defectuni.
- 2.8 Nu lăsați niciodată arzătorul nesupravegheat când este aprins.
- 2.9 Nu lăsați lichidul din vase să fiarbă până la evaporarea completă.

3. MANEVRAREA ARZĂTORULUI

- 3.1 Aveți grijă să nu atingeți părțile fierbinți ale arzătorului în timpul utilizării sau după utilizare.
- 3.2 Depozitare: Deșurubați întotdeauna cartușul sau recipientul cu combustibil lichid de la arzător atunci când nu îl utilizați. Depozitați cartușul sau recipientul într-un loc sigur, uscat, departe de căldură.
- 3.3 Nu utilizați arzătorul în mod greșit sau în alte scopuri decât cele pentru care este destinat.
- 3.4 Manipulați arzătorul cu grijă. Nu îl scăpați pe jos.

4. ASAMBLAREA ȘI UTILIZAREA ARZĂTORULUI CU UN CARTUȘ DE GAZ (figurile 2 și 4)

- 4.1 **Este absolut esențial ca furtunul și conducta de alimentare să fie complet golite de combustibil lichid atunci când utilizați un cartuș de gaz. În caz contrar, va rezulta o flacără periculoasă de înaltă! (Consultați punctul 6.8.7 pentru instrucțiuni privind golirea sistemului de alimentare cu combustibil.) Asigurați-vă, de asemenea, că este instalată o duză de 0,36 mm.**
- 4.2 Asigurați-vă că robinetul de combustibil (2) și robinetul arzătorului (5) sunt complet închise (prin rotirea completă în sens orar).
- 4.3 Țineți cartușul (3) în poziție verticală atunci când îl montați la robinetul de combustibil.
- 4.4 Așezați robinetul de combustibil în partea superioară a cartușului (ca în figura 2).
- 4.5 Înșurubați cartușul cu grijă în robinet până când acesta presează garnitura de etanșare. Aveți grijă să nu forțați cartușul și să distrugeți filetul. Strângeți doar cu mâna. **Nu strângeți prea mult, deoarece riscați să deteriorați supapa cartușului.**
- 4.6 Asigurați-vă că garnitura etanșează bine. Efectuați toate verificările necesare în aer liber. **NU** utilizați o flacără deschisă pentru a căuta eventualele scurgeri. Aplicați apă caldă cu săpun la îmbinări și conexiuni și observați bulele care se formează în zonele cu scurgeri. Dacă aveți dubii, auziți sau mirosiți o scurgere de gaz, nu încercați să aprindeți arzătorul. Deșurubați cartușul și contactați distribuitorul local.
- 4.7 Desfaceți brațele care vor susține vasul de gătit (12) în pozițiile corespunzătoare de pe apărătoarea de vânt (11).
- 4.8 Arzătorul este acum gata de utilizare.
- 4.9 Plasați întotdeauna arzătorul pe o suprafață stabilă. Asigurați-vă că furtunul este complet întins și că urmează un traseu drept între cartuș și arzător. Țineți cartușul de gaz departe de căldura emisă de arzător.
- 4.10 Deschideți mai întâi robinetul de combustibil (2), apoi robinetul arzătorului (5), rotindu-le în sens anti-orar și aprindeți imediat arzătorul (4).

- 4.11 Reglați flacăra utilizând robinetul arzătorului (5) sau robinetul de combustibil (2).
- 4.12 După aprindere, mențineți arzătorul în poziție verticală și nu îl deplasați. Dacă arzătorul nu a fost preîncălzit corespunzător sau dacă este deplasat în mod neglijent, poate apărea o flacăra mare.
- 4.13 După utilizare, închideți mai întâi robinetul de combustibil (2). Când flacăra este stinsă, închideți și robinetul arzătorului (5).
- 4.14 Mențineți o distanță minimă față de orice materiale inflamabile. Distanța minimă permisă între arzător și plafon și între arzător și cel mai apropiat perete este de 1 250 mm. **Aceste distanțe minime trebuie respectate pentru a preveni un posibil incendiu.**

5. SCHIMBAREA CARTUȘULUI DE GAZ

- 5.1 Închideți complet robinetul de combustibil (2) și robinetul arzătorului (5). Asigurați-vă că flacăra este stinsă și că nu există nicio altă sursă de flacăra în apropiere. Schimbați cartușul în exterior, la distanță de alte persoane. Deșurubați cartușul din robinet și înlocuiți garnitura dacă este crăpată sau uzată. Aveți grijă să nu înșurubați strămb noul cartuș. Plasați robinetul drept pe filetul cartușului și strângeți cu mâna liberă, după cum este indicat în secțiunea 4.

6. ASAMBLAREA ȘI UTILIZAREA ARZĂTORULUI CU COMBUSTIBIL LICHID (figurile 3 și 4)

- 6.1 Arzătorul este livrat cu trei duze. Duza 36 este pentru gaz din cartuș, duza 32 pentru benzină nafta și benzină fără plumb, iar duza 25 pentru kerosen, motorină și combustibili similari. Asigurați-vă că este instalată duza corectă.
- 6.2 Umpleți un recipient Primus cu combustibil lichid până la marcajul de umplere. NOTĂ! Nu umpleți niciodată sticla peste marcaj!
- 6.3 Asigurați-vă că robinetul de combustibil (2) și robinetul arzătorului (5) sunt complet închise (prin rotirea completă în sens orar).
- 6.4 Înșurubați pompa (21) în recipientul de combustibil (20).
- 6.5 Înșurubați cuplajul pompei de combustibil (22) cu grijă în robinet până când acesta intră în contact cu garnitura de pe robinet (ca în figura 3). Aveți grijă să nu deteriorați filetul. Strângeți doar cu mâna liberă – strângerea excesivă va deteriora filetul.
- 6.6 Desfaceți brațele care vor susține vasul de gătit (12) în pozițiile corespunzătoare de pe apărătoarea de vânt (11).
- 6.7 Pompați aproximativ 20 de curse sau mai mult, dacă nivelul de combustibil este sub marcajul de umplere de pe recipientul de combustibil.
- 6.8 Așezați recipientul de combustibil pe o suprafață plană și stabilă, cu textul „ON” de pe pompa de combustibil orientat în sus.
- 6.9 Plasați întotdeauna arzătorul pe o suprafață stabilă. Asigurați-vă întotdeauna că furtunul dintre cartuș și arzător este drept și nu poate intra în contact cu flacăra sau gazele fierbinți. **Asigurați-vă că furtunul nu este răscuit și nu este expus riscului de abraziune. Păstrați recipientul de combustibil departe de căldura arzătorului.**

- 6.10 Deschideți mai întâi robinetul de combustibil (2), apoi robinetul arzătorului (5) rotindu-le cu jumătate de tură în sens anti-orar. Lăsați combustibilul să iasă din duză sub formă de jet timp de aproximativ 2 secunde înainte de a închide robinetul. Dacă utilizați kerosen sau motorină sau dacă vremea este rece și vântoasă, poate fi necesar mai mult combustibil pentru preîncălzire. În acest caz, lăsați combustibilul să iasă prin duză timp de 4-6 secunde.

- 6.11 Verificați robinetul de combustibil, robinetul arzătorului, pompa de combustibil, duza, furtunul de combustibil și conducta de combustibil și asigurați-vă că nu există scurgeri. **NU UTILIZAȚI ARZĂTORUL DACĂ EXISTĂ SCURGERI.**

- 6.12 Aprindeți tamponul de amorsare. **NU VĂ APLECAȚI DEASUPRA ARZĂTORULUI!** Tamponul de amorsare va arde aproximativ 40 de secunde dacă utilizați benzină nafta și puțin mai mult dacă utilizați kerosen sau motorină sau dacă temperatura este scăzută. Deschideți ușor robinetul arzătorului (rotindu-l în sens anti-orar) atunci când combustibilul de pe tamponul de amorsare începe să se stingă, dar înainte de stingerea completă a flăcării. Dacă arzătorul arde cu o flăcăra galbenă sau instabilă, amorsarea a fost insuficientă. Încercați să închideți robinetul arzătorului până când obțineți o flăcăra albastră con-

stantă. Lăsați arzătorul să funcționeze la putere mică pentru a se încălzi. În cazul în care arzătorul nu poate fi folosit la putere maximă, singura cale este să îl opriți, să îl lăsați să se răcească complet și să repetați procedura de amorsare pentru o perioadă mai lungă de timp, utilizând mai mult combustibil de amorsare. Rețineți, de asemenea, că arzătorul trebuie protejat de vânt în timpul acestei proceduri.

- 6.13 După aprindere, mențineți arzătorul în poziție verticală și nu îl deplasați. Dacă arzătorul nu a fost preîncălzit corespunzător sau dacă este deplasat în mod neglijent, poate apărea o flacăra mare.

- 6.14 Mențineți o distanță minimă față de orice materiale inflamabile. Distanța minimă permisă între arzător și tavan și între arzător și cel mai apropiat perete este de 1250 mm (48 țoli). **Aceste distanțe minime trebuie respectate pentru a preveni un posibil incendiu.**

- 6.15 Pentru a opri arzătorul și a goli sistemul de alimentare cu combustibil, întoarceți recipientul de combustibil astfel încât cuvântul „OFF” de pe pompa de combustibil să fie orientat în sus. Când flacăra se stinge, iar prin duză mai iese doar aer, închideți robinetul de combustibil (2) rotindu-l complet în sens anti-orar. NOTĂ! Această procedură durează aproximativ 1 minut. De asemenea, închideți robinetul arzătorului (5) după ce acesta se oprește. Lăsați arzătorul să se răcească înainte de a-l dezasambla.

- 6.16 **NU REAPRINDEȚI NICIODATĂ** un arzător fierbinte. Componentele fierbinți pot vaporiza combustibilul lichid și pot provoca o „minge de foc” periculoasă.

7. ÎNTREȚINERE

- 7.1 Când utilizați combustibil lichid, duza trebuie curățată în mod regulat pentru o funcționare optimă, fără probleme. Dacă arzătorul este folosit intens sau cu carburant de calitate slabă, tija de control (30) va trebui curățată.

7.2 Curățarea duzei

Închideți robinetul de combustibil (2) și robinetul arzătorului (5) și deșurubați cartușul cu gaz sau recipientul de combustibil.

- 7.3 Duza (10) poate fi curățată pe poziție sau scoasă din arzător.

- 7.4 Curățați duza cu ajutorul acului de curățare (26) furnizat împreună cu arzătorul.

- 7.5 Reintroduceți duza și înșurubați-o la loc, asigurând etanșarea corespunzătoare. Pentru un plus de siguranță, montați un cartuș Primus și verificați îmbinarea cu apă caldă cu săpun. Apariția bulelor indică faptul că îmbinarea nu este suficient de strânsă.

7.6 Curățarea tijei de control

Deșurubați piulița de blocare (31) utilizând instrumentul multifuncțional. Deșurubați tija. Curățați cu grijă cele trei creștături din vârful tijei (de exemplu, cu unghia). Aveți grijă să nu deteriorați filetul tijei. Asigurați-vă că garnitura tijei este intactă și verificați etanșeitatea acesteia după reasamblare. Pentru un plus de siguranță, utilizați un cartuș Primus și verificați îmbinarea cu apă caldă cu săpun. Prezența bulelor indică faptul că îmbinarea nu este strânsă.

7.7 Pompa de combustibil

Dacă pompa nu presurizează recipientul cu combustibil, întindeți ușor garnitura de piele a pompei (25) și lubrifiați-o cu ulei de piele Primus (sau cu salivă sau ulei mineral). Deșurubați și scoateți tija pompei. Frecați garnitura cu ulei până când devine moale și flexibilă. Dacă pompa tot nu reușește să presurizeze recipientul cu combustibil, înlocuiți garnitura sau treceți la punctul 7.8.

- 7.8 Dacă pompa nu poate menține presiunea în recipientul cu combustibil, curățați și verificați supapa de sens (29). Scoateți supapa și ștergeți garnitura din cauciuc cu o cârpă. Remontați supapa.

7.9 Service și întreținere de rutină

Asigurați-vă întotdeauna că garniturile sunt montate corect și sunt în stare bună. Efectuați această verificare întotdeauna înainte să asamblați arzătorul. Înlocuiți garniturile dacă sunt deteriorate sau uzate. Puteți achiziționa garnituri noi de la distribuitorul local.

7.10 Unealta multifuncțională

Această unealtă este utilizată pentru montarea și demontarea duzei (10), a piuliței de blocare (31), a recordului furtunului (32), a șurubului inferior (33) și a buclatorului tamponului de amorsare (34). A se vedea figura 5.

8. SUGESTII PENTRU DEPANARE

Gazul din cartușele Primus (amestec de propan/butan/izobutan) este combustibilul ideal pentru arzătorul OmniLite Ti. Este un combustibil foarte ușor de folosit, care în mod normal nu necesită amorsare și este eficient, ecologic și curat (nu produce funingine). Necesită un efort minim de întreținere și curățare.

Benzina nafta de înaltă calitate (PRIMUS PowerFuel, MSR® White Gas / Coleman® Fuel) arde curat – deși nu la fel de curat ca gazul din cartușele Primus – și nu lasă practic nici un fel de depunere în sistemul de alimentare cu combustibil.

Arzătorul este echipat cu filtre de combustibil în furtunul pompei (35). Aceste filtre, în mod normal, nu necesită alte operațiuni de întreținere decât înlocuirea la anumite intervale de timp, în funcție de necesități. Când înlocuiți filtrul din furtun, filtrul existent poate fi îndepărtat prin lipirea unui obiect ascuțit (de exemplu un ac) în filtru și extragerea acestuia din urmă. Desigur, va trebui să aveți grijă să nu deteriorați garniturile și furtunul. Verificați să nu există scurgeri, conform procedurii descrise în paragraful 4.5.

Factorii care influențează puterea unui arzător care funcționează cu gaz sunt enumerați mai jos, împreună cu câteva sugestii pentru creșterea (sau menținerea) puterii pe vreme rece.

Factori care afectează puterea arzătorului (producția de căldură)

- Cantitatea de gaz din cartuș
- Temperatura aerului înconjurător
- Temperatura inițială a gazului

Cum puteți crește puterea arzătorului pe vreme rece

- Preîncălziți cartușul așezându-l în poziție verticală în 2,5 cm (1 țol) de apă caldă.
- Preîncălziți cartușul cu mâinile sau ținându-l în interiorul jachetei înainte de a-l conecta la arzător.

Cauze posibile ale puterii reduse

- Presiune insuficientă în recipientul de combustibil lichid

- Duză incorectă montată
- Duză înfundată sau filtru colmatat
- Șanțurile tijei de control sunt blocate (a se vedea punctul 7.5 de mai sus)
- Filtrul de combustibil este colmatat
- Arzătorul nu este protejat de vânt etc.

Cauze posibile ale flăcării instabile și/sau galbene

- Amorsare insuficientă
- Duză incorectă
- Arzătorul nu este protejat de vânt etc. Folosiți o apărătoare de vânt și un reflector de căldură Primus sau așezați arzătorul într-un loc protejat.
- Presiune excesivă în recipientul de combustibil în urma pompării excesive. Reduceți puterea de la robinetul arzătorului.
- Combustibil vechi sau de calitate îndoielnică

9. SERVICE ȘI REPARARE

- 9.1 Returnați arzătorul la distribuitorul local dacă nu puteți corecta o defecțiune cu ajutorul acestor instrucțiuni.
- 9.2 Nu încercați niciodată alte lucrări de întreținere sau reparații.
- 9.3 Nu modificați niciodată arzătorul, deoarece acest lucru îl poate face nesigur.
- 9.4 Arzătorul a fost omologat cu furtunul montat din fabrică. Din acest motiv, furtunul **NU** trebuie înlocuit cu unul diferit de cel original.

10. PIESE ȘI ACCESORII

- 10.1 Folosiți numai componente și accesorii marca Primus. Aveți grijă să nu atingeți zonele fierbinți atunci când montați componente și accesorii.
- 10.2 Cartușe de gaz: Utilizați numai cartușe cu amestec de propan/butan/izobutan Primus 2202, 2206 și 2207. Recipiente de combustibil: Utilizați numai recipiente de combustibil Primus 734120, 721950, 721960 și 732530.
- 10.3 Componentele și accesoriile sunt disponibile la distribuitorul sau importatorul dvs. Primus.
- 10.4 Contactați importatorul dacă aveți dificultăți în obținerea pieselor sau accesoriilor. Vizitați www.primusequipment.com.

ВАЖНО: Прочетете тези инструкции внимателно преди да свържете уреда към газовата бутилка или бутилката с течено гориво. Проверявайте редовно инструкциите, за да сте запознати с работата на уреда и ги запазете за справка в бъдеще. **Неспазването на тези инструкции може да предизвика сериозно нараняване или смърт!**

ВНИМАНИЕ: Този уред поглъща въздух (кислород) и произвежда въглероден двуокис. За да избегнете опасност за живота, НИКОГА не палете или не използвайте уреда в непроветрено пространство, на закрито, в палатка, в превозно средство или в друго затворено пространство. **Използвайте само на открито!**

НИКОГА не покривайте котлона (газовата бутилка или бутилката с течено гориво) с ветрозащитен параван, камъни или други подобни предмети, които могат да предизвикат прекомерно нагряване или увреждане на печката и газовата бутилка или бутилката с течено гориво. Прекомерното нагряване на газовата бутилка или бутилката с течено гориво по този начин е много опасно.

ГОРИВА И ДЕЙСТВИЕ

Дюза 36 (0.36 мм)

- Primus газ за газова бутилка (микс от пропан/бутан/изобутан) е идеалното гориво за котлона OmniLite Ti. Горивото е много лесно за използване, както обикновено не изисква подготовка и е ефективно, щадящо околната среда и чисто (без сажди). Изисква минимална поддръжка и почистване.

Дюза 32 (0.32 мм)

- Висококачественият бял газ (PRIMUS PowerFuel, MSR® White Gas/Coleman® Fuel) позволява чисто горене и практически не оставя отлагания в горивната система.
- Бензин за превозни средства трябва да се използва само в крайни случаи, тъй като съдържа добавки, които са вредни за Вашето здраве и също така оставят отлагания в горивната система.
- По здравословни причини, никога не бива да се използва оловен бензин.

Дюза 25 (0.25 мм)

- Въпреки че керосинът е наличен по цял свят, той създава повече сажди, по-труден е за подготовка и изисква често почистване.
- Може да се използва дизелово гориво, ако няма никакво друго налично гориво. Дизеловото гориво гори с пламък с много сажди, отнема дълго време, за да се загрее и изисква често почистване.

1. ВЪВЕДЕНИЕ

- 1.1 Този уред е проектиран за употреба само с газови бутилки Primus 2202, 2206 и 2207, които съдържат газови смеси от пропан/бутан/изобутан или бутилки с течено гориво Primus за бял газ (PRIMUS PowerFuel, MSR® White Gas/Coleman® Fuel), безоловен бензин, парафин и други еквивалентни горива.
- 1.2 Всякакъв опит за съединяване с други видове газови бутилки или бутилки с течено гориво може да бъде опасен. Това може да предизвика изтичане на гориво, което води до нараняване или смърт.
- 1.3 Консумация на газ: 130 g/h/6 300 Wtu/h (прибл. 2.3 kW) при 1 бар налягане. (Канада: Газ: 8733 Wtu/h, бял газ/керосин 6250 Wtu/h)
- 1.4 Размер на дюза: 0.36 мм за бутилките за еднократна употреба на Primus. Размер на дюза: 0.32 мм за бял газ (PRIMUS PowerFuel, MSR® White Gas/Coleman® Fuel) и безоловен бензин. Размер на дюза: 0.25 мм за керосин и подобни горива.
- 1.5 Този уред отговаря на EN 521, CAN1-11.2-M79 и CSA B140.9.2-1975. Одобрението CE (EN 521) се отнася само за LP Газ.
- 1.6 **Проверявайте дали е маркучът между бутилката и котлонът е изправен и че няма опасност да влезе в контакт с пламъка или горещите газове.** Проверявайте дали маркучът не е огънат или подложен на триене.

2. ИНФОРМАЦИЯ ЗА БЕЗОПАСНОСТ (Фигура 1)

- 2.1 Проверявайте дали уредът и пломбите на помпата (1) са в изправност и добро състояние преди свързването с газовата бутилка или бутилката с течено гориво.
- 2.2 Уредът може да се използва само на открито.

- НИКОГА не палете или не използвайте уреда в непроветрено пространство, на закрито, в палатка, в превозно средство или в друго затворено пространство.
- 2.3 Уредът трябва да се използва на равна повърхност.
- 2.4 Уверете се, че няма запалими материали или разсипано гориво около уреда (вижте 4.8.6 и 6.8.6).
- 2.5 Винаги свързвайте или замените газовата бутилка/бутилката с течено гориво на безопасното място. Това трябва да се прави само на открито, далеч от възможни източници на запалване, като открит огън, газови горелки или електрически огънове, както и далеч от хора.
- 2.6 В случай на теч от Вашия уред (което може да се установи от мизурата на газ, бял газ и др.), отстранете незабавно котлона и го сложете на проветриво място на открито, далеч от възможни източници на запалване, където течът може да се проточи и поправи. Проверката на правилното действие на уреда, когато използвате газова бутилка, трябва да се извършва само на открито. **НИКОГА** не проверявайте за течове с открит пламък, използвайте сапунена вода.
- 2.7 Никога не използвайте уред с повредени или износени пломби. Никога не използвайте мечач, повреден или неизправен уред.
- 2.8 Никога не оставяйте уреда без наблюдение, когато е запален.
- 2.9 Не оставяйте тиганите на огъня без да сте поставили нещо в тях.
3. **РАБОТА С УРЕДА**
- 3.1 Внимавайте да не докосвате горещите части на уреда по време на или след употреба.
- 3.2 Съхранение: Винаги развъртайте газовата бутилка или бутилката с течено гориво, когато уредът не се използва. Съхранявайте газовата бутилка или бутилката на безопасно, сухо място далеч от топлина.
- 3.3 Не използвайте уреда за цели, различни от предназначението му.
- 3.4 Боравете с уреда внимателно. Не го изпускайте.
4. **МОНТАЖ И УПОТРЕБА НА УРЕДА С ГАЗОВА БУТИЛКА (Фиг. 2 и 4)**
- 4.1 **Загължително е тръбата на горивото да бъде напълно чиста от течено гориво, когато се използва газова бутилка, в противен случай в резултат ще се получи опасно висок пламък! (Вижте 6.8.7 за инструкции относно това как да източите горивната система.) Също така проверете дали е инсталирана 0.36 мм дюза.**
- 4.2 Проверете дали спирателния вентил (2) и кранът за газ (5) са напълно затворени (като завъртите дръжката напълно по посока на часовниковата стрелка).
- 4.3 Дръжте газовата бутилка (3) в изправено положение, когато я прикрепяте към клапата.
- 4.4 Поставете клапата под прав ъгъл върху газовата бутилка (както е показано на Фиг. 2).
- 4.5 Завийте внимателно бутилката към клапата, докато съвпадне с улътнителя пръстен, като внимавате да не завинтите клапата накриво. **Затягайте само с ръка. Не затягайте прекомерно, в противен случай клапата на газовата бутилка може да се повреди.**
- 4.6 Проверете дали пломбата на газта е затегната. Извършвайте проверките на открито. **НИКОГА** не използвайте открит пламък за проверка на течове. Използвайте топла сапунена вода върху връзките и съединяванията, и наблюдавайте за течове под формата на мехурчета около мястото на евентуалния теч. Ако имате съмнения или можете да чуете или помришете изтичането на газ, не се опитвайте да запалите уреда. Развъртете газовата бутилка и се свържете с Вашия местен търговски представител.
- 4.7 Раздвижете крачетата (решетките) (12) в правилна позиция във ветрозащитния параван (11). Сега котлонът е готов за употреба.
- 4.8 Винаги поставяйте уреда върху стабилна повърхност. Проверете дали маркучът е огънат напълно и че е в права линия между бутилката и котлона. **Пазете бутилката от топлината на уреда.**
- 4.10 Първо завъртете спирателния вентил (2), след това крана за газта (5) обратно на часовниковата стрелка и запалете горелката (4) незабавно.
- 4.11 Регулирайте пламъка, като използвате крана за газта (5) или спирателния вентил (2).
- 4.12 След запалване, дръжте уреда изправен и не го местете. Може да изригне висок пламък, ако уредът не е бил предварително запален изцяло или ако е преместен небително.
- 4.13 След употреба, първо затворете спирателния

- вентил (2). Когато пламъкът угасне, също така затворете крана за газта (5).
- 4.14 Трябва да има минимално разстояние между запалните материали Минималното позволено разстояние между уреда и тавана, както между уреда и най-близката стена, е 1250 мм. **Тези минимални разстояния трябва да се спазват, за да се предотврати опасност от пожар.**
5. **СМЯНА НА ГАЗОВАТА БУТИЛКА**
- 5.1 Затворете напълно спирателния вентил (2) и крана за газта (5). Проверете дали пламъкът е угасен и дали няма друг източник на пламък наоколо. Сменяйте газовата бутилка на открито, далеч от други хора. Развъртете газовата бутилка от клапата и сменете улътнителя пръстен, ако е напукан или износен. Избягвайте нарушаване на резбата на винта, като поставите клапата под прав ъгъл на резбата на бутилката и затягате само ръчно, както е описано в раздел 4.
6. **СВЪРЗВАНЕ НА УРЕДА С ТЕЧНО ГОРИВО И РАБОТА С УРЕДА (Фиг. 3 и 4)**
- 6.1 Уредът се доставя с три дюзи. Дюза 36 е за газова бутилка, дюза 32 за бял газ и безоловен бензин, а дюза 25 за керосин, дизелово гориво и подобни горива. Проверете дали е свързана правилната дюза.
- 6.2 Напълнете Primus бутилка за гориво до маркираното място за напълване с течено гориво. **ЗАБЕЛЕЖКА!** Никога не преглътайте бутилката!
- 6.3 Проверете дали спирателния вентил (2) и кранът за газта (5) са напълно затворени (като завъртате изцяло дръжката обратно на часовниковата стрелка).
- 6.4 Завийте помпата (21) към бутилката за гориво (20).
- 6.5 Завийте въртящото съединение (22) внимателно върху клапата, докато съвпадне с улътнителя пръстен на контролния клапан (както е показано на фигура 3). Внимавайте да не завинтите клапата накриво. **Затягайте само на ръка - прекомерно затягане ще повреди съединението.**
- 6.6 Раздвижете крачетата (решетките) (12) в правилна позиция във ветрозащитния параван (11).
- 6.7 Направете 20 пълни изпомпвания или повече, ако нивото на горивото е под маркировката за пълнене на бутилката.
- 6.8 Поставете бутилката за гориво върху твърда, равна повърхност така че надписът „ВКЛЮЧЕНО“ върху помпата за гориво да е нагоре.
- 6.9 Винаги поставяйте уреда върху равна повърхност. Проверявайте дали е маркучът между бутилката и котлонът е изправен, както и че няма опасност да влезе в контакт с пламъка или горещите газове. **Проверявайте дали маркучът не е огънат или подложен на триене. Пазете бутилката от топлината на уреда.**
- 6.10 Първо отворете спирателния вентил (2), след което отворете и крана за газта (5), като завъртите ръчката половин оборот обратно на часовниковата стрелка. Позволете на горивото да излезе от дюзата за около 2 секунди, преди да затворите крана. Ако използвате керосин или дизелово гориво или ако времето е студено и ветровито, ще е необходимо повече гориво за предварителното загряване. В този случай позволете на горивото да излезе за около 4-6 секунди.
- 6.11 Проверете за течове при спирателния вентил, крана за газ, помпата за гориво, дюзата, маркучът за гориво и тръбата за горивото. **НЕ ИЗПОЛЗВАЙТЕ УРЕДА, АКО ИМА ТЕЧОВЕ.**
- 6.12 **Запазете тампона за подготовка. НЕ НАВЕЖДАЙТЕ НАД УРЕДА ГЛАВАТА ИЛИ ТЯЛОТО СИ!** Тампонът за подготовка ще гори в продължение на около 40 секунди, ако се използва бял газ и по-дълго, ако се използва керосин или дизел или ако околната температура е по-ниска. Отворете крана за газ бабно (като го въртите по посока на часовниковата стрелка) когато горивото в тампона за подготовка започне да свършва, но и преди пламъкът да угасне напълно. Ако уредът гори с жълт или нестабилен пламък, подготовката не е била достатъчна. Опашайте за затворите крана за газ донякъде, докато се установи стабилен син пламък и оставете уреда да гори на слаба мощност за известно време, за да се затопли. Ако котлонът не може да се използва на пълна мощност, единственият начин е да го изключите, да го оставите да изстине напълно и да повторите процедурата по подготовката за по-дълго време, като използвате повече загряващо гориво. Не забравяйте, че котлонът

трябва да бъде защитен от вятър по време на тази процедура.

- 6.13 След запалване, гръжте уреда в изпразнено положение и не го местете. Може да изригне висок пламък, ако уредът не е бил предварително затоплен изцяло или ако е преместен невнимателно.
- 6.14 Трябва да има минимално разстояние между запалните материали. Минималното позволено разстояние между уреда и тавана, както между уреда и най-близката стена е 1250 мм (48 инча). **Тези минимални разстояния трябва да се спазват, за да се предотврати опасност от пожар.**
- 6.15 За да изключите уреда и да изпразните горивната система, обърнете бутилката наопаки, така че надписът „ИЗКЛЮЧЕНО“ върху помпата за гориво да е нагоре. Когато пламъкът е угасен и през дюзата излиза въздух, затворете спирателния вентил (2), като завъртите ръчката изцяло по посока на часовникова стрелка. Забележка! Тази процедура ще отнеме около 1 минута. Също така, затворете крана за газта (5), когато уредът е изключен. Оставете уреда да изстине, преди да го разглобите.
- 6.16 **НИКОГА** не запалвайте повторно горещ уред. Горещите части могат да изпаят течното гориво и да предизвикат опасно „огнено кълбо“.

7. ПОДДРЪЖКА

- 7.1 Когато използвате течни горива, дюзата трябва да бъде напълно почистена за оптимална и безпроблемна употреба. Ако уредът се използва в продължение на дълги периоди с гориво с лошо качество, контролният шпиндел (30) ще има нужда от почистване.
- 7.2 **Почистване на дюзата**
Затворете спирателния вентил (2) и крана за газта (5) и отвийте газовата бутилка или бутилката за гориво.
- 7.3 Дюзата (10) може да се почисти на мястото или когато е отстранена от уреда.
- 7.4 Почистете дюзата, като използвате иглата за почистване (26), доставена с уреда.
- 7.5 Свържете отново дюзата и я завийте на мястото ѝ здраво, за да осигурите добро непроникливо свързване. Свържете с Primus бутилка за повече безопасност и проверете местата на свързване с топла сапунена вода. Образуването на мехурчета показва, че съединяването не е достатъчно здраво.
- 7.6 **Почистване на контролния шпиндел**
Развийте гайката (31), като използвате мулти инструмент. Развийте шпиндела. Внимателно почистете трите нарязани на върха на шпиндела, например като използвате нокътния си. Внимавайте да не повредите нарязите на шпиндела. Проверете дали уплътнителният пръстен на шпиндела е цял и проверете колко е στεγνот след повторното събиране. За допълнителна безопасност използвайте бутилка на Primus и проверете колко е здраво съединяването със сапунена вода. Наличието на мехурчета показва, че съединяването не е затегнато.
- 7.7 **Помпа за гориво**
Ако помпата не херметизира бутилката за гориво, разтегнете леко кожата уплътнител на помпата (25) и го смажете с масло за кожа Primus (салонка или масло на базата на минерали). Отвийте и отстранете буталния прът на помпата. Намажете уплътнителя с масло, докато стане мек и гъвкав. Ако помпата все така не херметизира бутилката за гориво, сменете уплътнителя или продължете към 7.8.
- 7.8 Ако помпата не успява да поддържа налягането в бутилката за гориво, почистете и проверете възвратния клапан (29). Отстранете клапата и извършете гугения уплътнител с парцал. Свържете отново клапата.
- 7.9 **Рутинно обслужване и поддръжка**
Винаги проверявайте дали пломбите и уплътнителните пръстени са правилно свързани и са в добро състояние. Извършвайте тази проверка винаги преди да сглобите уреда. Сменете пломбите, ако са повредени или износени. Можете да намерите налични пломби при местния Ви търговец.
- 7.10 **Мултиинструмент**
Инструментът се използва за отстраняване и повторно свързване на дюзата (10), гайката (31), съединяването на маркуча (32), гънния винт (33) и ключалката на тампона за подготовка (34). Вижте фигура 5.

8. СЪВЕТИ И ОТСТРАНЯВАНЕ НА ПРОБЛЕМИ

Газовата бутилка на Primus (смес пропан/бутан) е целенасочено гориво за котлона OmniLite Ti. Горивото

е много лесно за използване, като обикновено не изисква подготовка и е ефективно, щадящо околната среда и чисто (без сажди). Изисква минимална поддръжка и почистване.

Висококачественият бял газ (PRIMUS PowerFuel, MSR® White Gas/Coleman® Fuel) позволява чисто горене и практически не оставя отлагания в горивната система.

Котлонът е снабден с гориво и филтър в маркуча на помпата (35). Този филтър обикновено не изисква друго внимание освен подмяна, когато се налага. Когато сменяте филтъра в съединяването на маркуча, съществувашият филтър може да бъде отстранен, като вкарате заострен предмет (например игла) във филтъра и го извадите, като внимавате да не нараните запечатващите повърхности. Проверете за течове както е описано в 4.5.

Факторите, които управляват работата на котлона, когото работят с газ от газова бутилка, са описани по-долу, със съвети как да се увеличи (или поддържа) работата в студено време.

Фактори, които се отразяват на отгелянето на топнина

- Количеството газ в бутилката
- Температурата на околния въздух
- Първоначалната температура на газта
- Как да се увеличи мощността в студено време**
- Затоплете предварително бутилката, като я оставите в изпразнено положение в 1" (2,5 см) топла вода.
- Затоплете газова бутилка с ръце или я поставете в якето си, преди да я свържете с уреда.

Възможни причини за намалена мощност

- Недостатъчно налягане в бутилката с течено гориво
- Сложена е неправилната дюза
- Дюзата или филтърът на дюзата са запушени
- Нарезите на резбата на контролния шпиндел са запушени (Вижте 7.5 по-горе)
- Филтърът на горивото е запушен
- Уредът не е защитен от вятър и дъжд

Възможни причини за нестабилен жълт пламък

- Недостатъчно подготовка налягане
- Неправилна дюза
- Уредът не е защитен от вятър и гр. Използвайте ветрозащитен параван Primus и топлоотразител или преместете котлона на заслонено място.
- Прекомерно налягане в бутилката за гориво поради прекомерно помпане. Намалете мощността чрез затваряне на крана за газ.
- Старо или гориво с лошо качество

9. ОБСЛУЖВАНЕ И ПОПРАВКА

- 9.1 Върнете уреда на Вашия местен търговец, ако проблемът не може да се коригира с използването на тези инструкции.
- 9.2 Никога не се опитвайте да извършвате дълга поддръжка или поправка.
- 9.3 Никога не модифицирайте уреда, тъй като това може да го направи опасен.
- 9.4 Котлонът е одобрен с фабрично прикрупен маркуч. По тази причина маркучът **НИКОГА** не бива да бъде заменян с друг вид освен оригиналния.

10. ЧАСТИ И АКСЕСОАРИ

- 10.1 Използвайте само частите и аксесоарите на марката Primus. Внимателно избягвайте горещите части, когато свързвате части и аксесоари.
- 10.2 Бутилки пълнители: С този уред използвайте само бутилки с газова смес газова смес пропан/бутан/изобутан Primus 2202, 2206 и 2207. Пълнители-бутилки с гориво: С този уред използвайте само бутилки за гориво Primus 734120, 721950, 721960 и 732530.
- 10.3 Резервни части са налични при Вашия Primus търговец или вносителя.
- 10.4 Свържете се с Вашия вносител, ако имате трудности в навигацията на части или аксесоари, като посетите www.primusequipment.com.



3219 PRIMUS OmniLite Ti, Καμινέτο

ΟΔΗΓΙΕΣ ΧΡΗΣΗΣ

ΣΗΜΑΝΤΙΚΟ: Διαβάστε προσεκτικά αυτές τις οδηγίες προτού συνδέσετε τη συσκευή με το φιαλίδιο υγραερίου ή τη φιάλη υγρού καυσίμου. Μελετήστε τις οδηγίες σε τακτά χρονικά διαστήματα για να εξοικειωθείτε με τη λειτουργία της συσκευής και κρατήστε τις για μελλοντική αναφορά. **Η μη τήρηση αυτών των οδηγιών μπορεί να οδηγήσει σε σοβαρό τραυματισμό ή θάνατο!**

ΠΡΟΣΟΧΗ: Η συσκευή αυτή καταναλώνει αέρα (οξυγόνο) και παράγει διοξείδιο του άνθρακα. Για να αποφύγετε τον κίνδυνο για τη ζωή, **ΠΟΤΕ** μην ανάβετε ή χρησιμοποιείτε τη συσκευή σε μη αεριζόμενο χώρο, εσωτερικό, σε σκηνή, σε όχημα ή οποιονδήποτε άλλο κλειστό χώρο.

Χρησιμοποιήστε την μόνο σε εξωτερικό χώρο!

ΠΟΤΕ μην καλύπτετε το καμινέτο (φιαλίδιο υγραερίου ή φιάλη υγρού καυσίμου) με антиπαιδικά προστατευτικά, πέτρες ή άλλα παρόμοια εξαρτήματα, γιατί μπορεί να προκαλέσουν υπερθέρμανση ή φθορά στο καμινέτο και στο φιαλίδιο/φιάλη καυσίμου. Αν υπερθερμανθεί με τέτοιο τρόπο το φιαλίδιο υγραερίου ή η φιάλη υγρού καυσίμου μπορεί να αποβεί εξαιρετικά επικίνδυνο.

ΚΑΥΣΙΜΑ ΚΑΙ ΑΠΟΔΟΣΗ

Jet 36 (0,36 mm)

- Το φιαλίδιο υγραερίου Primus (μίγμα пропанίου/бουτανίου/ισοβουτανίου) είναι το идеално καύσιμο για το καμινέτο OmniLite Ti. Το υγραέριο είναι πολύ εύκολο στη χρήση, συνήθως δε χρειάζεται προετοιμασία και είναι αποτελεσματικό, φιλικό προς το περιβάλλον και καθαρό (χωρίς αιθάλη). Απαιτείται ελάχιστη συντήρηση και καθαρισμός.

Jet 32 (0,32 mm)

- Το υψηλής ποιότητας λευκό υγραέριο (PRIMUS PowerFuel, MSR® White Gas/Coleman® Fuel) επιτρέπει τη καθαρή καύση και δεν αφήνει κατάλοιπα στο σύστημα καυσίμων.
- Η βενζίνη οχημάτων θα πρέπει να χρησιμοποιείται μόνο σε εξαιρετικές περιπτώσεις αφού περιέχει πρόσθετα που είναι επιβλαβή για την υγεία σας, και επιπλέον, αφήνει κατάλοιπα στο σύστημα καυσίμων.
- Για λόγους υγείας, η βενζίνη με μόλυβδο δεν πρέπει να χρησιμοποιείται ποτέ.

Jet 25 (0,25 mm)

- Παρόλο που η κηροζίνη διατίθεται παγκοσμίως, δημιουργεί περισσότερη αιθάλη, παρασκευάζεται πιο δύσκολα και χρειάζεται συχνό καθαρίσμα.
- Μπορεί να χρησιμοποιηθεί το ντίζελ, αν δεν υπάρχει άλλο καύσιμο διαθέσιμο. Το ντίζελ καίγεται με φλόγα υψηλής αιθάλης, χρειάζεται περισσότερο χρόνο προθέρμανσης και χρειάζεται συχνό καθαρίσμα.

1. ΕΙΣΑΓΩΓΗ

- 1.1 Αυτή η συσκευή σχεδιάστηκε για χρήση μόνο με το φιαλίδιο υγραερίου Primus 2202, 2206 και 2207 που περιέχει μίγμα пропанίου/бουτανίου/ισοβουτανίου ή με τις φιάλες υγρού καυσίμου Primus για λευκό καύσιμο (PRIMUS PowerFuel, MSR® White Gas/Coleman® Fuel), αμόλυβδη βενζίνη, παραφίνη και άλλα παρεμφερή καύσιμα.
- 1.2 Οποιαδήποτε απόπειρα τοποθέτησης άλλων φιαλιδίων υγραερίου ή φιαλών υγρού καυσίμου ενέχει κίνδυνο. Μπορεί να προκληθεί διαρροή, με συνέπεια τραυματισμό ή θάνατο.
- 1.3 Κατανάλωση υγραερίου: 130 g/h / 6 300 Btu/h (περίπου 2,3 kW) με πίεση 1 bar. (Καναδάς: Υγραέριο: 8733 Btu/h, λευκό υγραέριο/κηροζίνη 6250 Btu/h) Μέγεθος φλόγιστρου: 0,36 mm για φιαλίδια μίας χρήσης Primus. Μέγεθος φλόγιστρου: 0,32 mm για λευκό υγραέριο (PRIMUS PowerFuel, MSR® White Gas/Coleman® Fuel) και αμόλυβδη βενζίνη. Μέγεθος φλόγιστρου: 0,25 mm για κηροζίνη και παρόμοια καύσιμα.
- 1.5 Η συσκευή αυτή συμμορφώνεται με τα πρότυπα EN 521, CAN1-11.2-M79 και CSA B140.9-2-1975. Η έγκριση CE (EN 521) αφορά μόνο την LP Gas.
- 1.6 **Να διασφαλίζετε πάντα ότι το λάστιχο μεταξύ του φιαλιδίου και του καμινέτου είναι ίσιο, και δεν έρχεται σε επαφή με τη φλόγα ή θερμά αέρια.** Βεβαιωθείτε ότι το λάστιχο δεν είναι μπλεγμένο ή φθαρμένο.

2. ΠΛΗΡΟΦΟΡΙΕΣ ΑΣΦΑΛΕΙΑΣ (Σχ. 1)

- 2.1 Βεβαιωθείτε ότι τα σφραγισμένα πάματα και η

- συσκευή (1) είναι στη θέση τους και σε καλή κατάσταση, προτού τοποθετήσετε το φιαλίδιο υγραερίου ή τη φιάλη υγρού καυσίμου.
- 2.2 Η συσκευή πρέπει να χρησιμοποιείται μόνο σε εξωτερικούς χώρους. ΠΟΤΕ μην ανάβετε ή χρησιμοποιείτε τη συσκευή σε μη αεριζόμενο χώρο, εσωτερικό, σε σκηνή, σε όχημα ή σε οποιονδήποτε άλλο εσωτερικό χώρο.
- 2.3 Η συσκευή πρέπει να λειτουργεί σε επίπεδη επιφάνεια.
- 2.4 Βεβαιωθείτε ότι δεν υπάρχουν εύφλεκτα υλικά ή διαρροή καυσίμου κοντά στη συσκευή (βλ. 4.8.6 και 6.8.6).
- 2.5 Να τοποθετείτε ή να αντικαθιστάτε πάντα το φιαλίδιο υγραερίου/τη φιάλη υγρού καυσίμου σε ασφαλή χώρο. Αυτό πρέπει να γίνεται μόνο σε εξωτερικό χώρο, μακριά από πιθανές πηγές ανάφλεξης, όπως γυμνή φλόγα, φλόγιστρα και ηλεκτρικές φωτιές, και αρκετά μακριά από άλλους ανθρώπους.
- 2.6 Σε περίπτωση διαρροής από τη συσκευή σας (μυρωδιά υγραερίου, λευκού υγραερίου, κ.λπ.), αφαιρέστε το καμινέτο αμέσως σε εξωτερικό χώρο καλά αεριζόμενο, μακριά από πιθανές πηγές ανάφλεξης, όπου η διαρροή μπορεί να εξεταστεί και να αποκατασταθεί. Ο έλεγχος της σωστής λειτουργίας της συσκευής όταν χρησιμοποιείτε φιαλίδιο υγραερίου πρέπει να γίνεται μόνο σε εξωτερικό χώρο. Μην ελέγχετε ΠΟΤΕ για διαρροές με γυμνή φλόγα, χρησιμοποιήστε σαπουνόνερο.
- 2.7 Μην χρησιμοποιείτε ποτέ συσκευή με κατεστραμμένα ή φθαρμένα πώματα. Μην χρησιμοποιείτε ποτέ μία συσκευή με διαρροή, φθορά ή χαλασμένη.
- 2.8 Μην αφήνετε ποτέ τη συσκευή χωρίς επίβλεψη, ενώ βρίσκεται σε λειτουργία.
- 2.9 Μην αφήνετε τα σκεύη στη φωτιά μέχρι να εξαμυνστεί όλο το περιεχόμενο.
- 3. ΧΕΙΡΙΣΜΟΣ ΤΗΣ ΣΥΣΚΕΥΗΣ**
- 3.1 Να προσέχετε να μην αγγίζετε τα καυτά μέρη της συσκευής κατά τη διάρκεια ή μετά τη χρήση.
- 3.2 Αποθήκευση: Να αφαιρείτε το φιαλίδιο ή τη φιάλη υγρού καυσίμου από τη συσκευή, όταν αυτή δεν χρησιμοποιείται. Αποθηκεύστε το φιαλίδιο ή τη φιάλη σε ασφαλές, στεγνό μέρος μακριά από θερμότητα.
- 3.3 Μην κάνετε ακατάλληλη χρήση της συσκευής, ή για άλλο σκοπό εκτός από αυτόν που προορίζεται.
- 3.4 Να χειρίζεστε τη συσκευή με προσοχή. Μην την πετάτε στο έδαφος.
- 4. ΣΥΝΑΡΜΟΛΟΓΗΣΗ ΚΑΙ ΛΕΙΤΟΥΡΓΙΑ ΤΗΣ ΣΥΣΚΕΥΗΣ ΜΕ ΦΙΑΛΙΔΙΟ ΥΓΡΑΕΡΙΟΥ (Σχ. 2 και 4)**
- 4.1 Είναι εξαιρετικά σημαντικό να μην υπάρχει υγραέριο στη γραμμή καυσίμου όταν χρησιμοποιείται το φιαλίδιο υγραερίου, διαφορετικά θα δημιουργηθεί μεγάλη φλόγα! (βλ. 6.8.7 για οδηγίες με τον τρόπο αδειασματος του συστήματος καυσίμων.) Βεβαιωθείτε επίσης ότι έχει τοποθετηθεί φλόγιτρο 0,36 mm.
- 4.2 Βεβαιωθείτε ότι η βαλβίδα κλεισίματος (2) και ο διακόπτης υγραερίου (5) είναι τελειώς κλειστοί (γυρνώντας τον διακόπτη πλήρως δεξιόστροφα).
- 4.3 Να κρατάτε το φιαλίδιο (3) όρθιο, όταν το τοποθετείτε στη βαλβίδα.
- 4.4 Να τοποθετείτε τη βαλβίδα ακριβώς στην κορυφή του φιαλιδίου (όπως φαίνεται στο σχ. 2).
- 4.5 Βιδώστε το φιαλίδιο προσεκτικά στη βαλβίδα μέχρι να βρει τον δακτύλιο, προσέχοντας να μη προκληθεί ζημιά στο φιαλίδιο. Σφίξτε μόνο με το χέρι. Μην σφίγγετε υπερβολικά, διαφορετικά μπορεί να προκληθεί ζημιά στη βαλβίδα του φιαλιδίου.
- 4.6 Βεβαιωθείτε ότι το πώμα υγραερίου είναι σφικτό. Να κάνετε τους ελέγχους σε εξωτερικό χώρο. Να μην χρησιμοποιείτε ΠΟΤΕ ανοιχτή φλόγα για να ελέγξετε για διαρροές. Να βάζετε ζεστό σαπουνόνερο στους αρμούς και στις συνδέσεις, και να παρατηρείτε για διαρροές με τη μορφή φυσαλίδων γύρω από την ύποπτη περιοχή. Αν έχετε αμφιβολίες ή ακούτε ή μυρίζετε το υγραέριο, μην προσπαθήσετε να ανάψετε τη συσκευή. Ξεβιδώστε το φιαλίδιο και επικοινωνήστε με τον τοπικό εμπορικό αντιπρόσωπο.
- 4.7 Γυρίστε τα πόδια (στηρίγματα της βάσης) (12) στη σωστή θέση στον ανεμοθώρακα (11).
- 4.8 Το καμινέτο είναι πλέον έτοιμο για χρήση.
- 4.9 Να τοποθετείτε πάντα τη συσκευή σε σταθερή επιφάνεια. Βεβαιωθείτε ότι το λάστιχο είναι πλήρως εκτεταμένο, και ότι είναι ίσιο από το φιαλίδιο στο καμινέτο. Διατηρήστε το φιαλίδιο μακριά από τη θερμότητα της συσκευής.
- 4.10 Πρώτα γυρίστε τη βαλβίδα κλεισίματος (2), μετά τον διακόπτη υγραερίου (5) δεξιόστροφα και ανάψτε την εστία(4) αμέσως.
- 4.11 Προσαρμόστε τη φλόγα χρησιμοποιώντας τη βαλβί-

- δα διακόπτη υγραερίου (5) ή κλεισίματος (2).
- 4.12 Αφού την ανάψετε, διατηρήστε τη συσκευή όρθια και μην τη μετακινείτε. Ενδέχεται να προκληθεί μεγάλη φλόγα αν η συσκευή δεν προθερμάνθηκε πλήρως ή αν μετακινείται χωρίς προσοχή.
- 4.13 Μετά τη χρήση, κλείστε πρώτα τη βαλβίδα κλεισίματος (2). Μόλις σβήσει η φλόγα, κλείστε και τον διακόπτη υγραερίου (5).
- 4.14 Πρέπει να υπάρχει σχετική απόσταση από εύφλεκτα υλικά. Η ελάχιστη επιτρεπτή απόσταση μεταξύ της συσκευής και της οροφής, και μεταξύ της συσκευής και του πλησιέστερου τοίχου, είναι 1.250 χιλ. Αυτή η ελάχιστη απόσταση απαιτείται για να προληφθεί ο κίνδυνος πυρκαγιάς.
- 5. ΑΛΛΑΓΗ ΦΙΑΛΙΔΙΟΥ**
- 5.1 Κλείστε τη βαλβίδα κλεισίματος (2) και τον διακόπτη υγραερίου (5) πλήρως. Βεβαιωθείτε ότι η φλόγα έχει σβήσει και ότι δεν υπάρχει άλλη πληγή φλόγας κοντά. Αλλάξτε το φιαλίδιο σε εξωτερικούς χώρους και μακριά από άλλα άτομα. Ξεβιδώστε το φιαλίδιο από τη βαλβίδα και αντικαταστήστε τον δακτύλιο Ο σφράγισης της συσκευής, αν έχει διαρραγεί ή φθαρεί. Αποφύγετε το στραβό βιδώμα τοποθετώντας τη βαλβίδα ακριβώς πάνω από το φιαλίδιο και βιδώστε μόνο με το χέρι, όπως περιγράφεται στην ενότητα 4.
- 6. ΣΥΝΑΡΜΟΛΟΓΗΣΗ ΚΑΙ ΛΕΙΤΟΥΡΓΙΑ ΤΗΣ ΣΥΣΚΕΥΗΣ ΜΕ ΥΓΡΟ ΚΑΥΣΙΜΟ (Σχ. 3 και 4)**
- 6.1 Η συσκευή παρέχεται με τρία φλόγιστρα. Το Jet 36 είναι για φιαλίδιο υγραερίου, το jet 32 για λευκό υγραέριο και αμολυβδή βενζίνη, και το jet 25 για κηροζίνη, ντίζελ και παρόμοια καύσιμα. Βεβαιωθείτε ότι έχει τοποθετηθεί το κατάλληλο φλόγιτρο.
- 6.2 Γεμίστε τη φιάλη καυσίμων Primus έως το σημείο πλήρωσης με υγρό καύσιμο. ΣΗΜΕΙΩΣΗ! Μην παραγεμίσετε ποτέ τη φιάλη!
- 6.3 Βεβαιωθείτε ότι η βαλβίδα κλεισίματος (2) και ο διακόπτης υγραερίου (5) είναι τελειώς κλειστοί (γυρνώντας τον διακόπτη πλήρως δεξιόστροφα).
- 6.4 Βιδώστε την αντλία (21) στη φιάλη καυσίμων (20).
- 6.5 Βιδώστε τον περιστρεφόμενο σύνδεσμο της αντλίας καυσίμων (22) προσεκτικά στη βαλβίδα μέχρι να βρει τη βαλβίδα ελέγχου στο δακτύλιο Ο (όπως φαίνεται στο Σχ. 3). Προσέξτε να μην βιδώσετε στραβά τη σύνδεση. Σφίξτε μόνο με το χέρι, το υπερβολικό σφίξιμο θα προκαλέσει ζημιά στη σύνδεση.
- 6.6 Γυρίστε τα πόδια (στηρίγματα της βάσης) (12) στη σωστή θέση στον ανεμοθώρακα (11).
- 6.7 Αντλήστε περίπου 20 ενεργοποιήσεις ή περισσότερες αν το επίπεδο καυσίμου είναι κάτω από το σημείο πλήρωσης στη φιάλη καυσίμου.
- 6.8 Τοποθετήστε τη φιάλη καυσίμου σε σταθερή, επίπεδη επιφάνεια με το «ΟΝ» της αντλίας καυσίμου να στρέφεται προς τα πάνω.
- 6.9 Να τοποθετείτε πάντα τη συσκευή σε σταθερή επιφάνεια. Να διασφαλίσετε πάντα ότι το λάστιχο μεταξύ του φιαλιδίου και του καμινέτου είναι ίσιο, και δεν μπορεί να έρθει σε επαφή με τη φλόγα ή θερμά αέρια. Βεβαιωθείτε ότι το λάστιχο δεν είναι μπλεγμένο ή φθαρμένο. Κρατήστε τη φιάλη καυσίμου μακριά από τη θερμότητα της συσκευής.
- 6.10 Πρώτα ανοίξτε τη βαλβίδα κλεισίματος (2) μετά ανοίξτε τον διακόπτη υγραερίου (5) γυρίζοντας το μισό στρογγύλο αριστερά. Αφήστε το καύσιμο να ψεκάσει από το φλόγιτρο για περίπου 2 δευτερόλεπτα προτού κλείσετε τον διακόπτη. Αν χρησιμοποιείτε κηροζίνη ή ντίζελ, ή αν έχει κρύο ή αέρα, χρειάζεται περισσότερο καύσιμο για την προθέρμανση. Σε αυτή την περίπτωση, αφήστε το καύσιμο να διαφύγει για 4-6 δευτερόλεπτα.
- 6.11 Ελέγξτε για διαρροές στη βαλβίδα κλεισίματος, στον διακόπτη υγραερίου, στην αντλία καυσίμου, στο φλόγιτρο, στο λάστιχο και τη γραμμή καυσίμου. ΜΗ ΧΡΗΣΙΜΟΠΟΙΕΙΤΕ ΤΗ ΣΥΣΚΕΥΗ ΑΝ ΥΠΑΡΧΟΥΝ ΔΙΑΡΡΟΕΣ.
- 6.12 Ανοίξτε τη βάση προετοιμασίας. ΜΗ ΓΕΡΝΕΤΕ ΠΑΝΩ ΑΠΟ ΤΗ ΣΥΣΚΕΥΗ ΜΕ ΤΟ ΚΕΦΑΛΙ Ή ΤΟ ΣΩΜΑ ΣΑΣ! Η βάση προετοιμασίας θα καίγεται για 40 δευτερόλεπτα αν χρησιμοποιείται λευκό υγραέριο, και για περισσότερο αν χρησιμοποιείται κηροζίνη ή ντίζελ ή αν η θερμοκρασία περιβάλλοντος είναι χαμηλή. Ανοίξτε τον διακόπτη υγραερίου αργά (γυρίζοντας τον αριστερόστροφο) όταν το καύσιμο στη βάση προετοιμασίας αρχίζει να τελειώνει, αλλά προτού η φλόγα σβήσει εντελώς. Αν η συσκευή παράγει κίτρινη ή ασταθή φλόγα, η προετοιμασία είναι ανεπαρκής. Δοκιμάστε να κλείσετε τον διακόπτη υγραερίου μέχρι να δείτε μία μπλε, σταθερή φλόγα και αφήστε τη συσκευή σε χαμηλή ισχύ για λίγο μέχρι να θερμανθεί. Αν το καμινέτο εξακολουθεί να μη λειτουργεί με πλήρη ισχύ, η μόνη λύση είναι να το κλείσετε, να το αφήσετε να κρυώσει εντελώς και να επαναλάβετε την προετοιμασία για περισσότερο

- χρόνο χρησιμοποιώντας περισσότερο καύσιμο. Να θυμάστε επίσης ότι το καμινέτο πρέπει να προστατεύεται από τον άνεμο κατά τη διάρκεια αυτής της διαδικασίας.
- 6.13 Αφού την ανάψετε, διατηρήστε τη συσκευή όρθια και μην τη μετακινείτε. Ενδέχεται να προκληθεί μεγάλη φλόγα αν η συσκευή δεν προθερμάνθηκε πλήρως ή αν μετακινείται χωρίς προσοχή.
- 6.14 Πρέπει να υπάρχει σχετική απόσταση από εύφλεκτα υλικά. Η ελάχιστη επιτρεπτή απόσταση μεταξύ της συσκευής και της οροφής, και μεταξύ της συσκευής και του πλησιέστερου τοίχου, είναι 1.250 χιλ. (48 ίντσες). Αυτή η ελάχιστη απόσταση απαιτείται για να προληφθεί ο κίνδυνος πυρκαγιάς.
- 6.15 Για να σβήσετε τη συσκευή και να αδειάσετε το σύστημα καυσίμου, αναποδογυρίστε τη φιάλη καυσίμου έτσι ώστε το «OFF» στην αντλία καυσίμου να στρέφεται προς τα πάνω. Όταν σβήσει η φλόγα και ρέει το υγραέριο στο φλόγιτρο, κλείστε τη βαλβίδα κλεισίματος (2) γυρίζοντας τον διακόπτη πλήρως αριστερόστροφα. Σημείωση! Αυτή η διαδικασία διαρκεί περίπου 1 λεπτό. Κλείστε και τον διακόπτη υγραερίου (5) όταν σβήσει η συσκευή. Αφήστε τη συσκευή να κρυώσει πριν την αποσυρμολόγησή της.
- 6.16 ΠΟΤΕ μην ανάβετε ξανά μία ζεστή συσκευή. Τα ζεστά μέρη μπορεί να προκαλέσουν εξάτμιση του υγρού καυσίμου και, επομένως, επικίνδυνη φλόγα.
- 7. ΣΥΝΤΗΡΗΣΗ**
- 7.1 Όταν χρησιμοποιείτε υγρά καύσιμα, το φλόγιτρο πρέπει να καθαρίζεται τακτικά για την καλύτερη λειτουργία του. Αν η συσκευή χρησιμοποιείται για μεγάλα χρονικά διαστήματα ή με καύσιμο χαμηλής ποιότητας, ο άξονας ελέγχου (30) θα χρειαστεί καθαρισμό.
- 7.2 Καθαρισμός του φλόγιστρου Κλείστε τη βαλβίδα κλεισίματος (2) και τον διακόπτη υγραερίου (5), και ξεβιδώστε το φιαλίδιο ή τη φιάλη καυσίμου.
- 7.3 Το φλόγιτρο (10) μπορεί να καθαριστεί επί τόπου ή όταν ξεβιδώνεται από τη συσκευή.
- 7.4 Καθαρίστε το φλόγιτρο χρησιμοποιώντας τη βελόνα καθαρισμού (26) που παρέχεται με τη συσκευή.
- 7.5 Επανατοποθετήστε το φλόγιτρο και βιδώστε καλά για ασφαλή σφράγιση. Τοποθετήστε ένα φιαλίδιο Primus για περισσότερη ασφάλεια και ελέγξτε τον σύνδεσμο με ζεστό σαπουνόνερο. Η εμφάνιση φυσαλίδων δείχνει ότι ο σύνδεσμος δεν είναι αρκετά σφικτός.
- 7.6 Καθαρισμός του άξονα ελέγχου Ξεβιδώστε το περικόχλιο ασφαλείας (31) χρησιμοποιώντας το πολυεργαλείο. Ξεβιδώστε τον άξονα. Καθαρίστε προσεκτικά τις τρεις εγχοπές στην άκρη του άξονα, χρησιμοποιώντας για παράδειγμα το νύχι σας. Προσέξτε να μην φθείρετε τις ακτίνες του άξονα. Βεβαιωθείτε ότι ο δακτύλιος Ο του άξονα είναι άθικτος και ελέγξτε τη στεγανότητα μετά την επανασυναρμολόγηση. Για επιπλέον ασφάλεια, χρησιμοποιήστε ένα φιαλίδιο Primus και ελέγξτε τη στεγανότητα του συνδέσμου με σαπουνόνερο. Η εμφάνιση φυσαλίδων δείχνει ότι ο σύνδεσμος δεν είναι σφικτός.
- 7.7 Αντλία καυσίμου Αν η αντλία δεν ασκεί πίεση στη φιάλη καυσίμου, τεντώστε τη δερματίνη φλάντζα της αντλίας (25) ελαφρά και λαδώστε την με λιπαντικό για δέρματα Primus (σάλιο ή ορυκτέλαιο). Ξεβιδώστε και αποσύρετε τη ράβδο της αντλίας. Εφαρμόστε λιπαντικό στη φλάντζα μέχρι να γίνει απαλή και εύκαμπτη. Αν η αντλία εξακολουθεί να μην ασκεί πίεση στη φιάλη καυσίμου, αντικαταστήστε τη φλάντζα ή προχωρήστε στο 7.78.
- 7.8 Αν η αντλία δεν διατηρεί την πίεση στη φιάλη καυσίμου, καθαρίστε και ελέγξτε τη ανεπίστροφη βαλβίδα (29). Αφαιρέστε τη βαλβίδα και σκουπίστε τη φλάντζα με πανί. Επανατοποθετήστε τη βαλβίδα.
- 7.9 Τακτικός έλεγχος και συντήρηση Βεβαιωθείτε πάντα ότι τα πώματα και οι δακτύλιοι Ο είναι σωστά τοποθετημένοι και σε καλή κατάσταση. Να κάνετε αυτόν τον έλεγχο κάθε φορά πριν τη συναρμολόγηση της συσκευής. Αντικαταστήστε τα πώματα σε περίπτωση βλάβης ή φθοράς. Καινούργια πώματα διατίθενται από τον τοπικό εμπορικό αντιπρόσωπο.
- 7.10 Πολυεργαλείο Το εργαλείο χρησιμοποιείται για την αφαίρεση και την τοποθέτηση του φλόγιστρου (10), του περικόχλιου ασφαλείας (31), της σύνδεσης του λάστιχου (32), της κάτω βίδας (33) και του κλειδώματος της βάσης προετοιμασίας (34). Βλ. Σχ. 5.
- 8. ΣΥΜΒΟΥΛΕΣ ΚΑΙ ΕΠΙΛΥΣΗ ΠΡΟΒΛΗΜΑΤΩΝ**
- Το φιαλίδιο υγραερίου Primus (μίγμα προπανίου/βου-

الموضح في الشكل 3). احرص على عدم تركيب الوصلة بشكل متقاطع. أحكم الربط يدويًا فقط - سيتسبب إحكام الربط المفرط في تلف الوصلة.

6.6 حرك القوائم (دعامات الإناء) (12) إلى موضع في منطقة حاجب الرياح (11).

6.7 ضح الوقود بمقدار 20 ضخة كاملة أو أكثر إذا كان مستوى الوقود أقل من علامة التعبئة في زجاجة الوقود.

6.8 ضع زجاجة الوقود على سطح صلب ومستوي مع توجيه كلمة "ON" الموجودة على مضخة الوقود لأعلى.

6.9 ضع الموقد دائمًا على سطح مستوي. تأكد دومًا من وجود خرطوم توصيل الأسطوانة بالموقد في وضعية مستقيمة ولا يمكنه ملامسة اللهب أو الغازات الساخنة. وتأكد من عدم التواء الخرطوم أو تعرضه للشدش. واحرص على عدم اقتراب زجاجة الوقود من سخونة الموقد.

6.10 افتح صمام الإغلاق أولاً (2) ثم افتح مقبض التحكم في الغاز (5) بتدويره نصف لفة عكس اتجاه عقارب الساعة. اترك الوقود ينتشر من الفوهة لمدة ثابنتين قبل إغلاق مقبض التحكم. وفي حالة استخدام الكيروسين أو الديزل، أو كان الطقس باردًا أو عاصفًا، فسيستغرق مزيدًا من الوقود للتسخين المسبق. في هذه الحالة، اسمح بخروج الوقود لمدة تتراوح بين 4 و6 ثوان.

6.11 ابحث عن وجود حالات تسرب في صمام الإغلاق ومقبض التحكم في الغاز ومضخة الوقود والفوهة وخرطوم الوقود وخط الوقود. لا تستخدم الموقد عند وجود تسرب للوقود.

6.12 أشعل حشوة الإعداد. لا تقم بإمالة الجهاز فوق رأسك أو جسمك! ستشعل الآن حشوة الإعداد نحو 40 ثانية في حالة استخدام الغاز الأبيض ولمدة أطول إذا تم استخدام الكيروسين أو الديزل أو عند انخفاض درجة الحرارة المحيطة. افتح مقبض التحكم في الغاز ببطء (بتدويرها عكس اتجاه عقارب الساعة) عندما يبدأ الوقود الموجود في حشوة الإعداد في البنفاد، ولكن قبل انطفاء اللهب بالكامل. إذا اشتعل الموقد بلهب لونه أصفر أو غير مستقر، فذلك يعني عدم إعداده بشكل كافٍ. حاول إغلاق مقبض التحكم في الغاز إلى حد ما حتى يتم إنشاء لهب أزرق ثابت وشارك الموقد يشتعل بمستوى منخفض من الطاقة لفترة من الوقت حتى يتم تسخينه. وإذا كان الموقد لا يزال يتعذر تشغيله بكامل طاقته، فإن المسار الوحيد يتمثل في إيقاف تشغيله وتركه حتى يبرد تمامًا وتكرر إجراء الإعداد لفترة أطول باستخدام مزيد من وقود الإعداد. تذكر أيضًا أنه يجب حماية الموقد من الرياح أثناء هذا الإجراء.

6.13 بعد الإشعال، حافظ على بقاء الموقد في وضع عمودي ولا تحركه. قد يحدث ارتفاع في اللهب إذا تم تسخين الموقد مسبقًا أو إذا تم تحريكه دون حرص.

6.14 ينبغي الحفاظ على الابتعاد بأدنى مساحة فارغة عن المواد القابلة للاشتعال. وتبلغ أدنى مساحة فارغة مسموح بها بين الموقد والسقف وبين الموقد وأقرب جدار 1250 ملم (48 بوصة). ويجب مراعاة الحد الأدنى للمساحة الفارغة لمنع حدوث حريق.

6.15 لإيقاف تشغيل الموقد وإفراغ نظام الوقود، قم بتدوير زجاجة الوقود بحيث تكون كلمة "ON" الموجودة على مضخة الوقود لأعلى. عندما ينطفئ اللهب ويتدفق الهواء خلال الفوهة، أغلق صمام الإغلاق (2) من خلال تدوير المقبض بالكامل عكس اتجاه عقارب الساعة. ملاحظة! سيستغرق هذا الإجراء نحو دقيقة واحدة. أغلق أيضًا مقبض التحكم في الغاز (5) عند إيقاف تشغيل الموقد. وشارك الموقد حتى يبرد قبل تفكيكه.

6.16 لا تقم مطلقًا بإعادة إشعال موقد ساخن. فقد تتسبب الأجزاء الساخنة في تبخر الوقود السائل، ما يؤدي إلى تكون "كرة نارية" خطيرة.

7. الصيانة

7.1 عند استخدام الوقود السائل، يجب تنظيف الفوهة بانتظام لتشغيل مثالي خالٍ من المتاعب. وإذا استخدم الموقد لفترات طويلة أو بوقود سيء الجودة، فسيستعين تنظيف ذراع التحكم (30).

7.2 تنظيف الفوهة

أغلق صمام الإغلاق (2) ومقبض التحكم في الغاز (5) وفك الأسطوانة أو زجاجة الوقود.

7.3 يمكن تنظيف الفوهة (10) في موضعها أو عند فكها من الموقد.

7.4 نظف الفوهة باستخدام إبرة التنظيف (26) المرفقة مع الموقد.

7.5 أعد تركيب الفوهة واربطها في موضعها بإحكام لضمان الحصول على انسداد جيد. ركب أسطوانة Primus لمزيد من السلامة وافحص الوصلة باستخدام ماء دافئ بصابون. يوضح ظهور الفقاعات أن الوصلة غير محكمة الربط بالشكل الكافي.

7.6 تنظيف ذراع التحكم

فك صامولة القفل (31) باستخدام أداة متعددة. فك الذراع. ونظف

التجاويف الثلاثة الموجودة في طرف الذراع بعناية، مثلًا باستخدام أحد

أظفارك. احرص على عدم إتلاف أسنان الذراع. وتأكد من سلامة حلقة الذراع

المصممة على شكل حرف O وتحقق من إحكام ربطها بعد إعادة التجميع.

لمزيد من السلامة، استخدم أسطوانة Primus وتحقق من إحكام ربط الوصلة باستخدام ماء بصابون. يظهر وجود الفقاعات أن الوصلة غير محكمة الربط.

7.7 مضخة الوقود

إذا كانت المضخة لا تضغط على زجاجة الوقود، فمدد حشية المضخة المصنوعة من الجلد (25) قليلًا وزينها باستخدام زيت جلد من Primus (اللعباب أو الزيوت المعدنية). فك عمود المضخة واسحبه. امسح الحشية بالزيت حتى تصبح ناعمة ومرنة. إذا استمرت المضخة في عدم ضغطها على

زجاجة الوقود، فاستبدل الحشية أو انتقل إلى القسم 7.7.

7.8 إذا تعذر على المضخة الحفاظ على الضغط في زجاجة الوقود، فقم بتنظيف الصمام غير المرتمج وافحصه (29). وبعد ذلك، فك الصمام وامسح الحشية المطاطية بقطعة قماش. وأعد تركيب الصمام.

7.9 الخدمة الاعتيادية والصيانة

تأكد دائمًا من تركيب السدادات والحلقات المصممة على شكل حرف O بطريقة صحيحة وأنها في حالة جيدة. وأجرى هذا الفحص قبل تجميع الموقد في كل مرة تستخدمه فيها. استبدل السدادات إذا كانت تالفة أو متآكلة.

وتتوفر السدادات الجديدة لدى المورد المحلي لديك.

7.10 أداة متعددة الوظائف

تستخدم الأداة في فك وتركيب الفوهة (10) وصامولة القفل (31) ووصلة الخرطوم (32) والمسمار السفلي (33) وقفل حشوة الإعداد (34). راجع الشكل 5.

8. تلميحيات واستكشاف الأعطال وإصلاحها

تُعد أسطوانة غاز Primus (خليط البروبان/البيوتان) وقودًا مثاليًا لموقد OmniLite Ti. يتميز هذا الوقود بأنه سهل الاستخدام، ولا يستلزم أي إعداد في العادة، وفعال وغير مضر بالبيئة ونظيف (لا يسبب سخام). يلزم إجراء الحد الأدنى من الصيانة والتنظيف.

غاز أبيض عالي الجودة (وقود PRIMUS PowerFuel، الغاز الأبيض MSR® White Gas /وقود Coleman® Fuel) يوفر احتراقًا نظيفًا - وإن لم يكن نظيفًا مثل

أسطوانة الغاز- ولا يترك أي رواسب في نظام الوقود عمليًا.

يأتي الموقد مزودًا بمرشحات وقود في خرطوم المضخة (35). وفي العادة، لا تتطلب هذه المرشحات أي اهتمام آخر غير الاستبدال حسب الحاجة. عند استبدال المرشح

في وصلة الخرطوم، قد تتم إزالة المرشح الموجود من خلال لصق شيء مذب (مثل الإبرة) في المرشح وإخراجه به، مع الحرص على تجنب إتلاف أوجه السدادة. أجرى اختبار التسرب على النحو الموضح في القسم 4.5.

في ما يلي العوامل التي تحكم ناتج الموقد التي تعمل على أسطوانة غاز، مع تلميحيات حول كيفية زيادة (أو الحفاظ على) الناتج في الطقس البارد.

العوامل المؤثرة على ناتج الحرارة

• كمية الغاز في الأسطوانة

• درجة حرارة الهواء المحيط

• درجة الحرارة الأولية للغاز

• كيف يمكنك زيادة الناتج في طقس بارد

• سخن الأسطوانة مسبقًا من خلال وضعها بشكل عمودي في ماء دافئ ارتفاعه

بوصة واحدة (2.5 سم).

• سخن الأسطوانة مسبقًا باستخدام يديك أو وضعها داخل معطفك قبل توصيلها بالموقد.

الأسباب المحتملة لانخفاض الطاقة

• ضغط غير كافٍ في زجاجة الوقود السائل

• تركيب الفوهة بطريقة خاطئة

• انسداد الفوهة أو مرشح الفوهة

• انسداد تجاويف ذراع التحكم (راجع القسم 7.5 أعلاه)

• انسداد مرشح الوقود

• عدم حماية الموقد من الرياح وما شابه ذلك

الأسباب المحتملة للهب الأصفر غير المستقر

• إعداد غير كافٍ

• فوهة غير صحيحة

• عدم حماية الموقد من الرياح وما شابه ذلك، استخدم حاجب رياح Primus

وعاكس حرارة أو انقل الموقد إلى موقع محمي.

• الضغط الزائد في زجاجة الوقود بسبب الضخ المفرط. انخفاض الطاقة بإغلاق

مقبض التحكم في الغاز.

• وقود قديم أو سيء الجودة

9. الخدمة والتصليح

9.1 أعد الموقد إلى بائع التجزئة المحلي لديك إذا تعذر عليك تصحيح الخلل باستخدام هذه التعليمات.

9.2 لا تحاول إجراء أي صيانة أو تصليح آخر على الإطلاق.

9.3 لا تعذر الموقد على الإطلاق لأن ذلك قد يكون غير آمن.

9.4

تم اعتماد الموقد مزودًا بخرطوم مركب بالمصنع. لهذا السبب يجب عدم استبدال الخرطوم بأي نوع آخر غير الأصلي على الإطلاق.

10. قطع الغيار والملحقات

10.1 لا تستخدم قطع غيار وملحقات إلا من العلامة التجارية Primus. احرص على تجنب ملامسة الأجزاء الساخنة عند تركيب قطع الغيار والملحقات.

10.2 استبدال الأسطوانات: لا تستخدم إلا أسطوانات الغاز 2202 و2206 و2207 من العلامة التجارية Primus والتي تحتوي على خليط من غاز البروبان والبيوتان والإيزوبوتان مع هذا الموقد.

استبدال زجاجات الوقود: لا تستخدم إلا زجاجات الوقود 734120 و721950 و721960 و732530 من العلامة التجارية Primus مع هذا الموقد.

10.3 تتوفر قطع الغيار لدى مورد العلامة التجارية Primus من المستورد.

10.4 اتصل بالمستورد إذا واجهتك أي صعوبة في الحصول على قطع الغيار أو الملحقات، تفضل بزيارة الموقع الإلكتروني www.primusequipment.com

تانو) είναι το ιδανικό καύσιμο για το καμινέτο OmniLite Ti. Το υγραέριο είναι πολύ εύκολο στη χρήση, συνήθως δε χρειάζεται προετοιμασία και είναι αποτελεσματικό, φιλικό προς το περιβάλλον και καθαρό (χωρίς αιθάλη). Απαιτείται ελάχιστη συντήρηση και καθαρισμός.

Το υψηλής ποιότητας λευκό αέριο (PRIMUS PowerFuel, MSR® White Gas/Coleman® Fuel) επιτρέπει την καθαρή καύση - ωστόσο δεν είναι τόσο καθαρό όσο το υγραέριο φιαλιδίου - και δεν αφήνει κατάλοιπα στο σύστημα καυσίμων.

Το καμινέτο είναι εξοπλισμένο με φίλτρα καυσίμου στο λάστιχο της αντλίας (35). Αυτά τα φίλτρα συνήθως δεν χρειάζονται τίποτα άλλο παρά μόνο αντικατάσταση όπως απαιτείται. Όταν αντικαθιστούν το φίλτρο στη σύνδεση με το λάστιχο, το υπάρχον φίλτρο μπορεί να αφαιρεθεί βάζοντας ένα μυτερό αντικείμενο (όπως μία βελόνα) στο φίλτρο και βγάζοντάς το, προσέχοντας να μην προκληθεί ζημία στα πάματα. Πραγματοποιήστε έλεγχο διαρροών όπως περιγράφεται στο 4.5.

Οι παράγοντες που διέπουν τα καμινέτα που λειτουργούν με φιαλίδιο υγραερίου παρατίθενται παρακάτω, με συμβουλές για την αύξηση (ή τη διατήρηση) της απόδοσης όταν έχει κρύο.

Παράγοντες που επηρεάζουν την απόδοση της θερμότητας

• Ποιότητα υγραερίου στο φιαλίδιο

• Θερμοκρασία ατμοσφαιρικού αέρα

• Αρχική θερμοκρασία υγραερίου

Πώς να αυξήσετε την απόδοση όταν έχει κρύο

• Προθερμάνετε το φιαλίδιο τοποθετώντας το προς τα πάνω σε 1" (2,5 cm) ζεστού νερού.

• Προθερμάνετε το φιαλίδιο με τα χέρια σας ή βάλτε το μέσα στο μπουφάν σας πριν το συνδέσετε στη συσκευή.

Πιθανές αιτίες μειωμένης ισχύος

• Ανεπαρκής πίεση στη φιάλη υγρού καυσίμου

• Τοποθέτηση ακατάλληλου φλόγιστρου

• Μπλοκαρισμένο φλόγιστρο ή φίλτρο φλόγιστρου

• Μπλοκαρισμένες ακτίνες άξονα ελέγχου (βλ. 7.5 παραπάνω)

• Μπλοκαρισμένο φίλτρο καυσίμου

• Συσκευή που δεν είναι προστατευμένη από τον άνεμο κ.λπ.

Πιθανές αιτίες ασταθούς, κίτρινης φλόγας

• Ανεπαρκής προετοιμασία

• Ακατάλληλο φλόγιστρο

• Συσκευή που δεν προστατεύεται από τον άνεμο κ.λπ. Χρησιμοποιήστε τον ανεμοθώρακα Primus και τον ανακλαστήρα θερμότητας ή μετακινήστε το καμινέτο σε προστατευμένη τοποθεσία.

• Υπερβολική πίεση στη φιάλη καυσίμου εξαιτίας υπερβολικής άντλησης. Μειώστε την ισχύ κλείνοντας τον διακόπτη υγραερίου.

• Παλιό ή κακή ποιότητας καύσιμο

9. ΣΕΡΒΙΣ ΚΑΙ ΕΠΙΔΙΟΡΘΩΣΗ

9.1 Επιτρέψτε τη συσκευή στον τοπικό αντιπρόσωπο αν δεν μπορείτε να διορθώσετε μία βλάβη με αυτές τις οδηγίες.

9.2 Ποτέ μην προσπαθήσετε να κάνετε άλλου είδους συντήρηση ή επιδιόρθωση.

9.3 Μην τροποποιείτε τη συσκευή επειδή αυτό την καθιστά επισφαλή.

9.4 Το καμινέτο έχει εγκριθεί με εργοστασιακό λάστιχο. Γι' αυτό το λόγο το λάστιχο δεν πρέπει ΠΟΤΕ να αντικατασταθεί με άλλο τύπο εκτός του αυθεντικού.

10. ΕΞΑΡΤΗΜΑΤΑ ΚΑΙ ΑΞΕΣΟΥΑΡ

10.1 Να χρησιμοποιείτε μόνο εξαρτήματα και αξεσουάρ της Primus. Φροντίστε να αποφεύγετε να αγγίζετε ζεστά εξαρτήματα όταν τοποθετείτε εξαρτήματα και αξεσουάρ.

10.2 Φιαλίδια αντικατάστασης: Να χρησιμοποιείτε τη συσκευή μόνο με φιαλίδια υγραερίου PRIMUS με μίγμα προπανίου/ισοβουτανίου/βουτανίου 2202, 2206 και 2207.

Φιάλες καυσίμου αντικατάστασης: Να χρησιμοποιείτε τη συσκευή μόνο με φιάλες καυσίμου Primus 734120, 721950, 721960 και 732530.

10.3 Τα εξαρτήματα είναι διαθέσιμα από τον αντιπρόσωπο Primus ή από τον εισαγωγέα σας.

10.4 Επικοινωνήστε με τον εισαγωγέα αν αντιμετωπίζετε πρόβλημα με τη διάθεση εξαρτημάτων ή αξεσουάρ, επισκεφθείτε το www.primusequipment.com.

الكهربائية، والأشخاص الآخرين.

- 2.6 في حالة حدوث تسرب من الموقد (كما يتضح من رائحة الغاز أو الغاز الأبيض وما إلى ذلك)، أخرج الموقد على الفور إلى مكان خارجي جيد التهوية، بعيداً عن مصادر الاشتعال المحتملة، حيث يمكن فحص التسرب وتصحيحه. ويجب أن يتم التأكد من التشغيل الصحيح للموقد عند استخدام أسطوانة غاز في الأماكن الخارجية فحسب. لا تبحث أبداً عن وجود حالات تسرب باستخدام لهب مكشوف، ولكن استخدم ماء بصابون بدلاً من ذلك.
- 2.7 لا تستخدم الموقد عند تلف أو تآكل سدادات إحكام الربط على الإطلاق. ولا تستخدم جهازاً تالفاً أو به تسرب أو خلل في التشغيل مطلقاً.
- 2.8 لا تترك الموقد دون مراقبة عند إشعاله.
- 2.9 لا تدع الآلية تغلي حتى تجف.

3. التعامل مع الموقد

- 3.1 احرص على عدم لمس أجزاء الموقد الساخنة أثناء الاستخدام أو بعده.
- 3.2 التخزين: فك دواماً الأسطوانة أو زجاجة الوقود السائل من الموقد عند عدم استخدامه. وخرّن الأسطوانة أو الزجاجة في مكان آمن وجاف بعيداً عن الحرارة.
- 3.3 ا تسيء استخدام الموقد أو تستخدمه لأي غرض آخر غير الغرض المخصص له.
- 3.4 تعامل مع الموقد بحرص. لا تسقطه.

4. تجميع الموقد وتشغيله باستخدام أسطوانة غاز (الشكلين 2 و4) من الضروري للغاية أن يكون أنبوب الوقود خالياً تماماً من الوقود السائل عند استخدام أسطوانة غاز، وإلا سينتج لهب مرتفع بشكل خطير! (راجع القسم 6.8.7 للاطلاع على التعليمات المتعلقة بكيفية تصريف نظام الوقود). وتأكد أيضاً من تركيب فوهة مقاس 0.36 ملم.

- 4.2 تأكد من إغلاق صمام الإغلاق (2) ومقبض التحكم في الغاز (5) تماماً (من خلال لف المقبض بالكامل في اتجاه عقارب الساعة).
- 4.3 حافظ على بقاء الأسطوانة (3) في وضعية مستقيمة عند تركيبها بالصمام.
- 4.4 ضع الصمام مباشرة فوق فوهة الأسطوانة (على النحو الموضح في الشكل 2).
- 4.5 أربط الأسطوانة في الصمام بحرص حتى تصل إلى الحلقة المصممة على شكل حرف O. مع الحرص على عدم تركيب طرف توصيل الأسطوانة بالصمام بشكل متقاطع. أحكم الربط يدوياً فقط. ولا تفرط في إحكام الربط، وإلا فقد يتلف صمام الأسطوانة.
- 4.6 تأكد من إحكام ربط سدادة الغاز. وتحقق من ذلك في أماكن خارجية. لا تستخدم أبداً لهب مكشوف للتحقق من حالات التسرب. استخدم ماء دافئ بصابون في مناطق الوصلات ولاحظ وجود حالات تسرب في شكل فقاعات حول المنطقة المشكوك فيها. وإذا كان يوجد شك أو أمكن سماع صوت تسرب غاز أو شم رائحته، فلا تحاول تشغيل الموقد. وبعد ذلك، فك الأسطوانة واتصل بالمورد المحلي لديك.
- 4.7 حرك القوائم (دعامات الإناء) (12) إلى موضع في منطقة حاجب الرياح (11).

- 4.8 الموقد جاهز للاستخدام الآن.
- 4.9 ضع الموقد دائماً على سطح مستو. وتأكد من أن الخرطوم ممتد تماماً وفي وضعية مستقيمة بين الأسطوانة والموقد. واحرص على عدم اقتراب الأسطوانة من سخونة الموقد.
- 4.10 أولاً، لف صمام الإغلاق (2) ثم مقبض التحكم في الغاز (5) عكس اتجاه عقارب الساعة وأشعل الموقد (4) على الفور.
- 4.11 اضبط اللهب باستخدام مقبض التحكم في الغاز (5) أو صمام الإغلاق (2).
- 4.12 بعد الإشعال، حافظ على بقاء الموقد في وضع عمودي ولا تحركه. قد يحدث ارتفاع في اللهب إذا تم تسخين الموقد مسبقاً أو إذا تم تحريكه دون حرص.
- 4.13 بعد الاستخدام، أغلق صمام الإغلاق (2) أولاً. وعندما ينطفئ اللهب، أغلق مقبض التحكم في الغاز (5) أيضاً.
- 4.14 ينبغي الحفاظ على الابتعاد بأذن مساحرة فارغة عن المواد القابلة للاشتعال. وتبلغ اذن مساحرة فارغة مسموح بها بين الموقد والسقف وبين الموقد وأقرب جدار 1.250 ملم. ويجب مراعاة الحد الأدنى للمساحة الفارغة لمنع حدوث حريق.

5. تغيير الأسطوانة

- 5.1 أغلق صمام الإغلاق (2) ومقبض التحكم في الغاز (5) بالكامل. وبعد ذلك، تأكد من إطفاء اللهب وعدم وجود مصدر لهب آخر في المنطقة المجاورة. وينبغي تغيير الأسطوانة في الأماكن الخارجية بعيداً عن الآخرين. وفك الأسطوانة من الصمام واستبدل السدادة الحلقية المصممة على شكل حرف O إذا كانت متشققة أو متآكلة. وتجنب تركيب طرف توصيل الأسطوانة بالصمام بشكل متقاطع من خلال وضع الصمام مباشرة في طرف توصيل الأسطوانة وأحكم الربط يدوياً فقط على النحو الموصوف في القسم 4.
6. تجميع الموقد وتشغيله باستخدام وقود سائل (الشكلين 3 و4) يرفق مع الموقد ثلاث فوهات. الفوهة 36 لأسطوانة الغاز، والفوهة 32 للغاز الأبيض والبنزين الخالي من الرصاص، والفوهة 25 للكيروسين وزيت الديزل وأنواع الوقود المشابهة. تأكد من تركيب الفوهة المناسبة.
- 6.2 املاً زجاجة وقود Primus حتى علامة التعبئة المخصصة بالوقود السائل. ملاحظة! لا تفرط في ملء الزجاجة عن المستوى المحدد!
- 6.3 تأكد من إغلاق صمام الإغلاق (2) ومقبض التحكم في الغاز (5) تماماً (من خلال لف المقبض بالكامل في اتجاه عقارب الساعة).
- 6.4 اربط المضخة (21) في زجاجة الوقود (20).
- 6.5 اربط الوصلة الدوّارة الموجودة بمضخة الوقود (22) بعناية في الصمام حتى تصل إلى حلقة صمام التحكم المصممة على شكل حرف O (على النحو

هام: اقرأ هذه التعليمات بعناية قبل توصيل الموقد بأسطوانة الغاز أو زجاجة الوقود السائل. راجع التعليمات على فترات منتظمة لنظف على دراية بتشغيل الموقد واحتفظ بها للرجوع إليها في المستقبل. قد يؤدي عدم اتباع هذه التعليمات إلى حدوث إصابة خطيرة أو الوفاة!

تحذير: يستهلك هذا الموقد الهواء (الأكسجين) وينتج ثاني أكسيد الكربون. لتجنب الخطر على الحياة، لا تشعل الموقد أبداً أو تستخدمه في مكان لا يدخل إليه الهواء أو في أماكن داخلية أو خيمة أو سيارة أو في أي منطقة أخرى مغلقة. لا تُستخدمه إلا في الأماكن الخارجية!

لا تغطي أبداً الموقد (أسطوانة الغاز أو زجاجة الوقود السائل) باستخدام حاجب رياح أو صخور أو ما شابه ذلك من الأشياء التي تسبب فرط سخونة أو تلف الموقد والأسطوانة/زجاجة الوقود. ويعد فرط سخونة أسطوانة الغاز أو زجاجة الوقود السائل بهذه الطريقة أمراً بالغ الخطورة.

الوقود والأداء

فوهة 36 (0.36 ملم)

تعد أسطوانة غاز Primus (خليط من البروبان والبيوتان والإيزوبوتان) ووقوداً مثاليًا لموقد OmniLite Ti. يتميز هذا الوقود بأنه سهل الاستخدام، ولا يستلزم أي إعداد في العادة، وفعال وغير مضر بالبيئة ونظيف (لا يسبب سخام). يلزم إجراء الحد الأدنى من الصيانة والتنظيف.

فوهة 32 (0.32 ملم)

غاز أبيض عالي الجودة (وقود PRIMUS PowerFuel، الغاز الأبيض MSR® White Gas/وقود Coleman®) يوفر احتراقاً نظيفاً ولا يترك أي رواسب في نظام الوقود عملياً.

يجب عدم استخدام وقود السيارات إلا في حالات استثنائية نظراً لأنه يحتوي على مواد إضافية شارة بصحتك وتترك رواسب في نظام الوقود أيضاً.

لأسباب صحية، يجب عدم استخدام البنزين المزود بالرصاص على الإطلاق.

فوهة 25 (0.25 ملم)

رُغم توفر الكيروسين حول العالم، إلا أنه يُخلّف مزيداً من السخام، كما يشكل صعوبة بالغة في تعبئته ويستلزم تنظيفاً متكرراً.

يمكن استخدام زيت الديزل إذا لم يتوفر أي وقود آخر. يحترق زيت الديزل بلهب هادئ للغاية ويستغرق وقتاً طويلاً لتسخينه مسبقاً ويستلزم تنظيفاً متكرراً.

مقدمة

1. صُمم هذا الموقد للاستخدام فقط مع أسطوانات الغاز 2202 و2206 و2207 وPrimus والتي تحتوي على خليط من غاز البروبان والبيوتان والإيزوبوتان أو زجاجات الوقود السائل من Primus المعبأة بالغاز الأبيض (وقود PRIMUS PowerFuel، الغاز الأبيض MSR® White Gas/وقود Coleman®) الخالي من الرصاص والبارافين وغيرهما من الوقود المعادل.

2. تعد أي محاولة لتركيب نوع آخر من أسطوانات الغاز أو زجاجات الوقود السائل أمراً بالغ الخطورة. وقد ينتج عن ذلك وجود تسرب، ما يؤدي إلى حدوث إصابة أو وفاة.

3. استهلاك الغاز: 130 جم/الساعة / 6300 وحدة حرارية بريطانية/الساعة (نحو 2.3 كيلو وات) في ضغط قدره بار واحد. (كندا، الغاز: 8733 وحدة حرارية بريطانية/الساعة، الغاز الأبيض/الكيروسين 6250 وحدة حرارية بريطانية/الساعة)

4.14 مقاس الفوهة: 0.36 ملم لأسطوانات Primus المصممة للاستخدام لمرة واحدة. مقاس الفوهة: 0.32 للغاز الأبيض (وقود PRIMUS PowerFuel، الغاز الأبيض MSR® White Gas/وقود Coleman®) والبنزين الخالي من الرصاص.

مقاس الفوهة: 0.25 ملم للكيروسين وأنواع الوقود المشابهة.

1.5 يتوافق هذا الموقد مع المعايير والمواصفات EN 521، CAN1-11.2-M79، وCSA B140.9.2-1975. موافقة الاتحاد الأوروبي (EN 521) فيما يتعلق بالغاز النظيف السائل فقط.

1.6 تأكد دوماً من وجود خرطوم توصيل الأسطوانة بالموقد في وضعية مستقيمة ولا يمكنه ملامسة اللهب أو الغازات الساخنة. وتأكد من عدم التواء الخرطوم أو تعرضه للشد.

2. معلومات السلامة (الشكل 1)

- 2.1 تأكد من وجود سدادات ربط الموقد والمضخة (1) في مكانها وبحالة جيدة قبل تركيب أسطوانة الغاز أو زجاجة الوقود السائل.
- 2.2 لا يمكن استخدام الموقد إلا في الأماكن الخارجية. لذلك، لا تشعل الموقد أبداً أو تُستخدمه في مكان لا يدخل إليه الهواء أو في أماكن داخلية أو خيمة أو سيارة أو في أي منطقة أخرى مغلقة.
- 2.3 يجب تشغيل الموقد على سطح مستو.
- 2.4 تأكد من عدم وجود مواد قابلة للاشتعال أو وقود منسكب بالقرب من الموقد (راجع القسم 4.8.6 والقسم 6.8.6).
- 2.5 احرص دائماً على تركيب أو استبدال أسطوانة الغاز/زجاجة الوقود السائل في مكان آمن. يجب أن يتم ذلك في مكان خارجي فقط، بعيداً عن مصادر الاشتعال المحتملة، مثل ألسنة اللهب المكشوفة والشعل الدائمة والنيران

ВАЖНО. Внимательно прочитайте данную инструкцию перед использованием плитки и до подключения ее к газовому баллону или емкости с топливом. Несоблюдение требований данной инструкции может привести к серьезным травмам.

ВНИМАНИЕ. Во время горения топлива потребляется кислород и выделяется окись углерода. Запрещается использовать данную плитку в плохо проветриваемых условиях, палатках, кабинах автомобилей или других подобных местах. Это может быть опасно для жизни. Использовать только на открытом воздухе!

НИКОГДА не накрывайте горелку (газовый баллон, емкость с топливом) ветрозащитой, так как это может привести к перегреву и повредить и саму горелку, и емкость с топливом. Перегрев газового баллона и емкости с топливом чрезвычайно опасен, так как это может привести к взрыву.

ВИДЫ ТОПЛИВА

Ниппель 36 (0,36 мм)

* Идеальным топливом является сжиженный газ (смесь пропана / бутана) в картриджах Primus. Картридж просто подключается к плитке. Газ – очень эффективное и чистое топливо, что практически исключает необходимость профилактической чистки и предварительного прогрева плитки.

Ниппель 32 (0,32 мм)

* Рекомендуется использовать специальное топливо «белый газ» фирм (PRIMUS PowerFuel, MSR® White Gas/Coleman® Fuel). В отличие от сжиженного газа при горении этого топлива выделяется больше продуктов сгорания.

* Возможно использование автомобильного бензина, однако из-за содержащихся в нем присадок при горении выделяются опасные вещества и загрязняется топливная система.

* Никогда не применяйте как топливо этилированный бензин. Продукты его сгорания опасны для здоровья.

Ниппель 25 (0,25 мм)

* Керосин – доступное во всем мире топливо, но при его использовании возникают трудности с поджигом, выделяется много сажи, что вызывает необходимость частой чистки изделия.

* Дизельное топливо применять не рекомендуется, хотя и возможно. При сгорании дизельного топлива выделяется очень много сажи.

1. ВВЕДЕНИЕ

- 1.1. Изделие должно эксплуатироваться с использованием газовых картриджей Primus 2202, 2206, 2207 или с входящей в комплект топливной емкостью Primus с подходящим топливом.
- 1.2. Применять газовые картриджи и топливные емкости других фирм опасно, так как это не гарантирует достаточной герметичности соединений и может привести к утечкам топлива, отравлениям и смерти в результате взрыва.
- 1.3. Расход газа: 130 г/ч. Мощность примерно 1,80 кВт при давлении 1 атм.
- 1.4. Размеры ниппеля: 0.36 мм применяется при использовании газовых картриджей, 0,32 для «белого» газа (неэтилированного бензина), 0.25 мм для топлива типа керосина.
- 1.5. Изделие соответствует Российским, Европейским, Американским и Канадским нормам и правилам.
- 1.6. Не растягивайте шланг. Не перекручивайте шланг. Не допускайте контакта шланга с пламенем.

2. ИНФОРМАЦИЯ ПО БЕЗОПАСНОСТИ (Fig. 1)

- 2.1. Перед подключением плитки к картриджу или топливной емкости убедитесь в сохранности кольцевых резиновых прокладок (1).
- 2.2. Изделие должно эксплуатироваться только вне закрытых помещений (см. выше).
- 2.3. Изделие должно эксплуатироваться на ровной, горизонтальной поверхности.
- 2.4. Убедитесь, что рядом с изделием нет горючих материалов или разлитого топлива (см. 4.8.6 и 6.8.6).
- 2.5. Топливную емкость или газовый картридж заменять только на открытом воздухе вдали от источников открытого огня.
- 2.6. При обнаружении утечек газа или другого топлива (появление характерного запаха), немедленно вынести изделие в хорошо проветриваемую зону без источников открытого огня, где и определить место утечки топлива. Для этого применять только мыльную воду или специальные пены / спреи.
- 2.7. Запрещается использование изделия с поврежденными уплотнительными кольцами, механическими повреждениями, тем более при имеющейся утечке топлива.
- 2.8. Не оставляйте работающую плитку без присмотра.
- 2.9. Не допускайте полного выкипания жидкости из нагреваемой посуды.

3. РУКОВОДСТВО ПО ПРИМЕНЕНИЮ

- 3.1. Осторожно, не прикасайтесь к горячим частям плитки во время ее работы или сразу после использования.
- 3.2. Хранение. Всегда отсоединяйте картридж с газом или емкость с топливом после работы. Храните плитку в сухом месте вдали от источников тепла.
- 3.3. Используйте плитку только по назначению. Не используйте плитку в целях, не предусмотренных ее конструкцией.
- 3.4. Обращайтесь с плиткой бережно, не роняйте ее.

4. ПОДКЛЮЧЕНИЕ И ЭКСПЛУАТАЦИЯ С ИСПОЛЬЗОВАНИЕМ ГАЗА (Fig.2 и 4).

- 4.1. Если в качестве топлива применяется сжиженный газ, необходимо, чтобы топливная линия была полностью освобождена от остатков любого жидкого топлива. Иначе может произойти опасный выброс пламени! (способ удаления остатков жидкого топлива приведен в п. 6.8.7.). Так же необходимо убедиться, что установлен ниппель 0,36 мм.
- 4.2. Убедитесь, что регуляторы подачи топлива (2 и 5) завернуты по часовой стрелке до отказа.
- 4.3. При подключении картриджа с газом (3) держите его в вертикальном положении.
- 4.4. Разместите соединительный вентиль плитки над клапаном картриджа с газом (см. Fig.2).
- 4.5. Аккуратно вверните картридж в вентиль до его упора в уплотнительную кольцевую прокладку. Осторожно, не сорвите резьбу на картридже. Заворачивайте только вручную.
- 4.6. Убедитесь, что картридж завернут до упора. Проверку соединения на герметичность производить только на открытом воздухе. Не проверяйте герметичность соединений топливной линии открытым пламенем. Для этих целей применяйте исключительно мыльный раствор, который следует наносить на места соединений топливной магистрали. Возникновение мыльных пузырей в местах соединений будет указывать на утечку топлива. В случае обнаружения утечек использование плитки запрещается. Отсоедините картридж и обратитесь к вашему дилеру.
- 4.7. Разверните ножки – подставки плитки (12) в рабочее положение (11).
- 4.8. Плитка готова к использованию.
- 4.9. Всегда используйте плитку на ровной

горизонтальной поверхности с полностью вытянутым (раскрученным) шлангом. Картридж должен быть удален от плитки на расстояние полностью вытянутого шланга.

- 4.10. Сначала откройте вентиль (2), потом поверните регулятор подачи топлива (5) против часовой стрелки и немедленно подожгите горелку (4).
- 4.11. Отрегулируйте величину пламени регуляторами (2) и (5).
- 4.12. После поджига пламени плитка не должна перемещаться. В начальный момент горения, при непрогретой горелке или при перемещении плитки, может наблюдаться неравномерное горение и выбросы пламени.
- 4.13. После использования сначала закройте вентиль (2). Когда выгорит все топливо из шланга, закройте вентиль (5).
- 4.14. При использовании плитки необходимо убедиться, что расстояние от плитки до любых горючих материалов достаточно, чтобы не произошло их возгорания. Минимальное расстояние от ближайшей стены и потолка до рабочей поверхности плитки – 1250 мм. (по соображениям противопожарной безопасности).

5. ЗАМЕНА КАРТРИДЖА

- 5.1. Полностью закройте вентили (2) и (5). Убедитесь, что пламя полностью погашено и рядом нет источников открытого огня. Вынесите изделие подальше от других людей. Отверните картридж от регулятора. В случае повреждения уплотнительного кольца, замените его. Отсоединяйте картридж аккуратно, чтобы не повредить резьбу (см. раздел 4).

6. ПОДКЛЮЧЕНИЕ И ЭКСПЛУАТАЦИЯ С ИСПОЛЬЗОВАНИЕМ ЖИДКОГО ТОПЛИВА (Fig. 3 и 4).

- 6.1. Изделие поставляется в комплекте с тремя ниппелями. Ниппель 36 используется в случае применения сжиженного газа, ниппель 32 – для бензина без свинцовых добавок, ниппель 25 – при использовании керосина и ему подобных видов топлива. Убедитесь, что при применении конкретного вида топлива используется соответствующий ниппель.
- 6.2. Наполните топливную емкость Primus топливом до метки (нанесена на внешней поверхности емкости). ВНИМАНИЕ! Никогда не переполняйте емкость.
- 6.3. Убедитесь, что вентили (регуляторы подачи топлива) (2) и (5) полностью закрыты по часовой стрелке.
- 6.4. Вверните насос (21) в топливную емкость (20).
- 6.5. Аккуратно приверните выходное соединение насоса (22) к регулятору подачи топлива (2) (см. Fig.3). Не повредите кольцевую прокладку, и не сорвите резьбовые соединения. Приворачивайте соединения только вручную.
- 6.6. Разверните ножки – подставки плитки (12) в рабочую позицию (11).
- 6.7. Произведите поршнем насоса 20 качков или больше, если уровень топлива в емкости невелик.
- 6.8. Расположите насос маркировкой ON вверх.
- 6.9. Всегда используйте изделие на ровной, твердой поверхности. Шланг должен быть без повреждений, развернут полностью и не контактировать с пламенем.
- 6.10. Сначала откройте вентиль (2), затем медленно поверните регулятор подачи топлива (5) против часовой стрелки. Через пару секунд закройте регулятор подачи топлива. При использовании керосина / дизеля или при низких температурах закрывайте регулятор через 4 – 6 секунд..
- 6.11. Проверьте систему на утечку топлива. В случае обнаружения утечек **ПОЛЬЗОВАТЬСЯ ПЛИТКОЙ ЗАПРЕЩЕНО.**
- 6.12. Подожгите топливо в горелке. Не на-

клоняйтесь над плиткой, берегитесь ожогов. Пламя в горелке должно гореть около 40 секунд. (белый газ или бензин) или дольше (керосин и т.п.). Когда появится характерный звук (свист) и топливо в горелке почти полностью прогорит, следует плавно открыть регулятор подачи топлива. Нестабильное горение и желтый цвет пламени означают, что плитка недостаточно прогрета. Попробуйте путем регулировки подачи топлива добиться пламени голубого цвета и выхода режима работы на полную мощность. Если этого добиться не удастся, следует выключить плитку, дождаться пока она не остынет полностью и повторить операцию сначала. Во время этой операции плитка должна быть защищена от ветра.

- 6.13. После поджига пламени плитка не должна перемещаться. В начальный момент горения, при плохо прогретой горелке или при перемещении плитки, может наблюдаться неравномерное горение.
- 6.14. При использовании плитки необходимо убедиться, что расстояние от плитки до любых горючих материалов достаточно для того, чтобы не произошло их возгорания. Минимальное расстояние от стен и потолка до работающей плитки – 1250 мм. (по соображениям противопожарной безопасности).
- 6.15. Для выключения плитки (погашения пламени) следует перевернуть топливную емкость на 180 градусов так, чтобы маркировка на насосе OFF была сверху. Когда пламя погаснет и через ниппель будет проходить поток воздуха, закройте регулятор подачи топлива (2). Эта процедура занимает около 1 мин. Затем закройте вентиль (5) Прежде чем разбирать плитку необходимо дать ей время остыть.
- 6.16. ЗАПРЕЩАЕТСЯ заново поджигать погашенную горячую горелку. Горячие части горелки испаряют жидкое топливо, что может привести к опасному «огненному шару» – вспышке.

7. ОБСЛУЖИВАНИЕ ПЛИТКИ

- 7.1. При использовании жидкого топлива необходимо регулярно чистить ниппель. Если изделие эксплуатировалось длительное время, или применялось некачественное топливо, следует чистить контрольный шпindel (30) и всю линию подачи топлива.
- 7.2. Чистка ниппелей. Полностью закройте регуляторы подачи топлива (2) и (5). Отсоедините картридж или топливную емкость. Снимите рассекатель пламени с тела горелки.
- 7.3. Ниппель (10) может быть прочищен как непосредственно на изделии, так и в отсоединенном состоянии (с помощью прилагаемого инструмента).
- 7.4. Прочищайте ниппель только с помощью прилагаемого инструмента - иглы (26).
- 7.5. Прочищенный ниппель следует аккуратно, плотно завернуть на место до упора. Для обеспечения дополнительной безопасности следует вынести изделие на улицу, присоединить картридж с газом и проверить герметичность соединений с помощью мыльной воды. Образование мыльных пузырей указывает на то, что ниппель завернут недостаточно плотно.
- 7.6. Очистка контрольного шпинделя. С помощью прилагаемого инструмента отверните гайку (31). Выверните шпindel. Тщательно очистите его, хотя бы ногтем. Не повредите резьбу шпинделя. Убедитесь, что уплотнительное кольцо в нормальном состоянии, при необходимости замените его. Соберите все в обратном порядке. Проверьте систему на герметичность с помощью газового картриджа и мыльной воды.
- 7.7. Топливный насос. Если насос не создает нужного давления в топливной емкости, прежде всего, проверьте состояние кожного поршня (25). Следует смазать

поршень составом Primus или минеральным маслом. Капните масло на поршень и дождитесь, пока он не станет мягким и эластичным. Если и после этого насос не будет создавать необходимого давления – замените поршень или см. п. 7.8..

- 7.8. Проверьте и очистите обратный клапан (29). Разберите клапан, протрите его части хлопковой тканью, соберите в обратном порядке.
- 7.9. Регулярное обслуживание. Регулярно проверяйте состояние всех резиновых уплотнителей. В случае их повреждения заменяйте на новые.
- 7.10. Инструмент. Инструмент предназначен для откручивания и закручивания nipples (10), фиксирующей гайки (31), гайки шланга (32), нижнего болта (33) и замка нагревательной подушки (34). См. Fig. 5.

8. СОВЕТЫ ПО ПРИМЕНЕНИЮ

Свойства различных видов топлива описаны выше. Для удаления возможных механических примесей из жидких видов топлива в плитке предусмотрены 2 топливных фильтра: один в насосе (35). Их можно или промыть, или заменить. В любом случае с изделием следует обращаться бережно.

Ниже перечислены факторы, влияющие на работу плитки.

- Количество газа в картридже
- Температура наружного воздуха
- Температура газа в картридже

Как повысить КПД плитки в холодную погоду.

- положить картридж в теплую воду (2,5 см)
- погреть картридж в ладонях или положить его под одежду

Причины снижения мощности плитки

- недостаточное давление в емкости
- установлен ниппель не того размера
- ниппель засорился
- контрольный шпиндель засорился
- топливный фильтр засорился
- изделие не защищено от сильного ветра. Используйте ветрозащиту.
- в топливной емкости создано избыточное давление. Сбросьте давление.
- некачественное топливо

9. СЕРВИС И РЕМОНТ

- 9.1. Если самостоятельно, следуя настоящей инструкции, удалить неисправность не удалось – верните изделие продавцу.
- 9.2. Не пытайтесь заменять оригинальные изделия другими.
- 9.3. Никаких модификаций изделия не допускается.
- 9.4. Качество газового шланга с вентилем проверено на заводе – изготовителе. Использование продукции других производителей ЗАПРЕЩЕНО.

10. ЧАСТИ И АКСЕССУАРЫ.

- 10.1. Используйте только оригинальные запасные части PRIMUS. Не прикасайтесь к горячим частям изделия.
- 10.2. Замена картриджей: Используйте только картриджи Primus 2202, 2206 или 2207. Емкости для топлива – только Primus 734120, 721950, 721960 или 732530.
- 10.3. Запасные детали имеются у дилеров Primus.
- 10.4. В случае возникновения проблем – обращайтесь к дилерам Primus. Посетите сайт www.primusequipment.com



使用说明

注意: 在使用此炉具前请仔细阅读使用说明并熟悉操作方法。定期回顾使用说明中的内容提高安全意识, 并将其妥善保管以便将来使用。若未遵循使用说明中的方法操作将会导致严重的后果甚至死亡!

警告: 此炉具燃烧时消耗氧气并产生二氧化碳。为了避免危险发生, 请不要在不通风的地方, 室内, 帐篷, 汽车或其它封闭空间内点燃此炉具。

只可在户外使用!

切勿用挡风板, 石块或类似物品将炉具(气罐或油瓶)盖住, 这样会导致过热并将炉具, 气罐或油瓶损坏。此种状态下气罐过热是非常危险的。只可使用炉具自带的挡风板。

燃料及喷嘴的选择

0. 36毫米喷嘴 - 用于液化气体

• OmniLite Ti炉具适用的最佳气体燃料是由 Primus公司生产的气罐(丙烷/丁烷混合燃料)。气体燃料便于使用, 通常都不需要预热, 燃烧时效率高, 保护环境且清洁(无积碳)。使用气罐无需经常进行维护和清洁。

0. 32毫米喷嘴 - 用于汽油

• 适用于高品质工业用汽油, 例如PRIMUS PowerFuel, MSR白汽油及Coleman Fuel, 这些燃料都能够达到清洁燃烧, 同时燃烧后整个系统几乎无沉淀残留物质。
• 机动车汽油是一种极其不稳定的燃料, 同时其含有多种对身体有害的添加成分, 因此燃烧后整个系统内部会存在较多沉淀残留物质。
• 不要使用含铅汽油, 因为燃烧时产生的气体严重危害我们的健康。

0. 25毫米喷嘴 - 煤油/柴油

• 煤油在世界各处都很容易找到但是在燃烧时会产生黑烟, 预热时也较为困难, 同时需要您定期进行清洁。
• 如果实在没有其它燃料可以选择时, 您可以使用柴油。柴油在燃烧时会产生大量黑烟, 预热时间较长且需要经常清洁。

1. 产品介绍

1.1 此炉具只可使用PRIMUS丙烷/丁烷混合燃料)气罐2202, 2206和2207或PRIMUS PowerFuel及其它高品质白汽油(MSR白汽油及Coleman Fuel), 无铅汽油, 煤油及其它同类燃料。

1.2 请使用Primus气罐/油瓶。使用其他品牌气罐或油瓶将有可能发生危险。一旦漏油, 将有可能造成人员损伤甚至死亡。

1.3 在1 bar压强的情况下燃气消耗约为130 g/h /6300 BTU/h约1,8 kW。(加拿大地区为: 气罐: 8733 Btu/h, 白汽油/煤油: 6250 Btu/h)

1.4 喷嘴尺寸: 0.36 毫米, (734310) 适用于气罐。

喷嘴尺寸: 0.32 毫米, (734300) 适用于清洁汽油, 例如, MSR白汽油, Coleman Fuel及无铅汽油。

喷嘴尺寸: 0.26 毫米, (734290) 适用于煤油或类似燃料。

1.5 此炉具完全达到EN 521, CAN1-11.2-M79及CSA B140.9.2-1975的相关标准。CE(EN 521)标准只适用于气体燃料。

1.6 确保气罐和炉具间的软管保持平直, 切勿使其接触火焰或高温气体。避免软管磨损。确保软管无任何缠绕状态。

2. 安全使用信息(图1)

2.1 在连接气罐或油瓶前确保炉具及密封胶圈(1)处于正确位置且状态完好。

- 2.2 此炉具只可在户外使用。为了避免危险发生, 切勿在空气不流通区域, 室内, 帐篷内, 车内或其他闭塞空间内点燃此炉具。
- 2.3 尽量选择水平位置操作炉具。
- 2.4 确保气罐周围无任何可燃物(具体请参见4.8.6及6.8.6中的描述)。
- 2.5 连接或更换气罐或油瓶时, 一定要在户外的地方进行操作, 远离任何易燃源例如明火, 标灯及电火花等, 同时要远离人群。
- 2.6 如果炉具漏气(闻到气体或液体泄漏), 立即将其转移至通风处, 远离易燃源并检测泄漏情况。检测过程一定要在室外进行。切勿使用明火检测, 只可使用肥皂水或类似液体进行检测。
- 2.7 切勿使用密封胶圈损坏, 磨损及功能上有问题的炉具。
- 2.8 切勿使燃烧状态下的炉具离开您的视线。
- 2.9 确保锅具无干烧状态。

3. 炉具取放

- 3.1 当炉具使用中或使用后要小心, 切勿用手触摸高温区域。
- 3.2 存储: 当炉具使用完毕后一定要从气罐或油瓶上将其取下存放。气罐要存储在干燥处, 避免周围存在热源。避免阳光照射。
- 3.3 切勿将炉具用于其功能以外的用途
- 3.4 操作炉具时要小心。勿摔。

4. 炉具的安装

4.01 使用气罐前, 一定要确认整个燃烧系统内无液体燃料残存, 否则在燃烧时将会出现高射火焰(关于如何将燃烧系统内残存燃料排净请参阅6.8.7中的描述)。同时要确保炉具使用的是0.36毫米喷嘴。

- 4.1 确认开关(2)及火力微调阀门(5)关闭(顺时针拧到底)。
- 4.2 连接炉具时, 确保气罐(3)垂直向上。
- 4.3 确保炉具阀门与气罐保持垂直(如图2)
- 4.4 轻轻的转动气罐, 直到与阀门内部O型胶圈相接触。旋转时要小心, 切勿错位滑丝。只可用手旋转。切勿旋转过紧而将阀门损坏。
- 4.5 确保炉具密封性完好。如需检测炉具, 一定要在户外进行。严禁使用明火检测炉具是否漏气。只可使用肥皂水涂抹在各连接处, 如有漏气则会出现气泡。如果您心存疑虑或能够听到或闻到气体泄漏, 请不要尝试点燃炉具, 将炉具取下并联系当地经销商。
- 4.6 打开锅具支脚(12)使其与挡风罩(11)成三等分。
- 4.7 此时炉具可以使用。

- 4.8.1 尽量选择水平位置, 然后将炉具放在上面。确保炉具与气罐间的软管完全拉伸。点燃后将气罐远离炉头热量辐射范围。
- 4.8.2 打开开关(2), 然后逆时针旋转火力微调阀门(5)迅速将炉头点燃。
- 4.8.3 通过开关(2)或火力微调阀门(5)调整火焰大小。
- 4.8.4 点燃后, 保持炉具平稳, 不要来回移动。随意移动炉具会导致其产生火花。
- 4.8.5 使用完毕后, 首先逆时针拧紧开关(2)关闭炉具。待火焰完全熄灭后, 关闭微调阀门(5)。
- 4.8.6 一定要与易燃物保持足够距离。为了避免火灾发生, 横向和纵向空间要保持至少1250毫米距离。

5 更换气罐

5.1 完全关闭开关(2)及微调阀门(5)。确保火焰完全熄灭且周围无明火。使其处于户外并远离其它人。将气罐自阀门处拧下, 如果发现O型黑色胶圈断裂或磨损则需将其更换。将气罐拧上时一定要对准螺纹, 避免错位滑丝, 而且只可用手拧紧, 详见第4部分描述。

6 使用油瓶时炉具的安装(图3和图4)

- 6.01 炉具出厂时配备了3只喷嘴。0.36毫米喷嘴适用于气罐, 0.32毫米喷嘴适用于白汽油及无铅汽油, 0.25毫米喷嘴适用于煤油, 柴油或类似燃料。确保使用前选择正确的喷嘴。
- 6.02 使用Primus油瓶时, 切勿将燃料装至刻度线

之上。注意：切勿将燃料溢出！

- 6.1 确认开关（2）及火力微调阀门（5）关闭（顺时针拧到底）。
- 6.2 将油泵（21）与油瓶（20）进行连接，确保无错位滑丝情况，拧紧。
- 6.3 旋转油泵上的黑色旋钮（22）使其与炉具开关相连，直至其与炉具开关内部的O型胶圈接触（如图3所示）。注意，旋转时切勿滑丝，只可用手进行操作-旋转过度会将连接处损坏。
- 6.4 打开锅具支脚（12）使其与挡风罩（11）成三等分。
- 6.5 使用气泵打气20次，如果瓶内燃料较少，可以多打几次。
- 6.6 将油瓶放置于水平位置，确保油泵上标有“ON”的一面向上
- 6.8.1 尽量选择水平位置，然后将炉具放在上面。确保炉具与油瓶间的软管完全拉伸。点燃后将气罐远离炉头热量辐射范围。
- 6.8.2 首先打开开关（2），然后轻轻的逆时针旋转微调阀门（5），保持2秒钟时间使少量的燃料从喷头流出，关闭阀门。如果使用煤油或柴油做燃料，或者冬天天气寒冷时使用，那么您需要多一点燃料进行预热。在这种情况下，可保持4-6秒后关闭阀门。
- 6.8.3 检查各连接处是否有燃料泄漏。如果发现燃料泄漏，切勿点燃炉具。
- 6.8.4 使用火柴或打火机将预热垫点燃，头部和身体远离炉具，如果您使用的是汽油，那么预热时间在36秒左右，如果您使用的是煤油或柴油或温度较低，那么预热时间要久一些。当预热垫火焰即将熄灭之前，慢慢打开阀门（逆时针旋转）。如果此时呈现不稳定的黄色火焰，那么表明预热不充分。此时，关小阀门直至出现稳定的蓝色火焰。如果炉具在最大火力时依然燃烧不充分，唯一解决途径是将其关闭，待整个炉具温度彻底降下来之后，再次重复刚才的预热过程。另外，您要牢记在此过程中要始终防风。
- 6.8.5 炉具燃烧时要保持其平稳，不要来回移动。如果炉具随意的移动会导致其产生火花。
- 6.8.6 一定要与易燃物保持足够距离。为了避免火灾发生，横向和纵向要保持至少1250毫米（48英寸）距离。
- 6.8.7 关闭炉具前，要先将整个炉具系统内的燃料清空。具体操作是，将油瓶旋转180度使油泵泵写有“OFF”的一面面向上。等待火苗消失后，只有气体喷出时，关闭开关（2）逆时针拧到底。注意：此过程将持续大约1分钟。然后将微调阀门（5）拧紧。待炉具温度完全降下来之后可将其拆开。
- 6.8.8 不要再次点燃刚刚熄灭的炉具。因为炉具炙热部分会将燃料气化并产生“火球”导致危险。

7. 维护保养

- 7.01 当使用液体燃料时，为了获得最理想的燃烧效率，一定要定期对炉具进行维护。如果炉具使用了很长时间，或一直都使用低质燃料，那么火力微调轴（30）需要清洁。
- 7.1 清洁喷嘴
将开关（2）及火力微调阀门（5）完全关闭并将其从气罐或油瓶上拧下。
- 7.2 此时您可以对喷嘴（10）进行清洁或者您也可以将其取下后清洁。
- 7.3 使用多用途工具自带的清洁金属丝（26）进行疏通。
- 7.4 清洁完毕后将喷嘴重新安装上，拧紧时要小心，切勿用力过猛。使用肥皂水检测其密封性。如果出现气泡则证明密封不严。
- 7.5 清洁火力微调轴
使用多用途工具将螺母（31）拧下。拧下微调轴。仔细清洁微调轴前端的3个凹槽，可用手指甲清洁。切勿将轴丝扣损坏。确保微调轴上的O型胶圈状态完好，并检查其紧度，然后将微调轴装回原位。使用肥皂水检测其密封性。如果出现气泡则证明密封不严。
- 7.6 油泵
如果您感觉到加压时，油瓶内无压力，可将油泵

拆开，轻轻伸展位于油泵前段的皮垫（17）并用Primus皮革油进行润滑（也可用唾液或其它矿物油替代）。拧下油泵上方螺丝将油泵杆拉出，将皮革油涂在皮垫上直至其变软易弯曲。如果油泵依然无法加压，那么可尝试更换皮垫或按照7.7中的步骤处理。

- 7.7 如果油泵无法加压，那么您应当更换皮垫并检查位于油泵底部止回阀（29）处的O型胶圈是否完好。如有必要可进行清洁。

7.8 定期检测与保养

一定要随时确保O型胶圈处于密封位置且状态完好。在每次使用炉具前一定要进行检查。如果其损坏或存在磨损，立刻将其更换。可从当地Primus零售商那里得到新的O型密封胶圈。

7.9 多用途工具

此工具用于更换喷嘴（10），螺母（31），软管接口（32），底座螺母（33）及固定预热垫（34）。具体请参见图5。

8 故障排除

Primus公司生产的气罐（丙烷/丁烷混合燃料）

是OmniLite Ti炉具的理想燃料。气体燃料便于使用，通常都不需要预热，燃烧时效率高，保护环境且清洁（无积碳）。使用气罐无需经常进行维护和清洁。高品质清洁汽油（MSR White Gas/Coleman Fuel）虽然不如气体燃料那样清洁，但是它们也能达到清洁燃烧且燃烧后不会产生残留物质。炉具在出厂时在油泵进油管（35）配备了过滤网。此过滤网无需维护。如果软管连接处的过滤网需要更换时，可通过使用一根细长物（例如针）将其撬开，此过程要格外小心，避免损坏整个密封表面。更换后，按照4.5中的描述检测其密封性。使用气罐时如何控制火力输出的小窍门如下表所列，同时包括如何在寒冷环境下提高（或维持）输出功率。

影响输出功率的因素

- 气罐内燃料的品质
- 周围气体的温度
- 气罐的温度

如何在寒冷天气提高输出功率

- 将气罐放入温水中
- 连接气罐前，用双手或将其放入衣物内预热

可能导致输出功率变小的原因

- 油瓶内压力不足
- 使用了不正确的喷嘴
- 火力微调轴凹槽被阻塞（参见7.5）
- 燃料过滤网阻塞
- 未防风等

可能导致不稳定，黄色火焰的原因

- 预热不够
- 使用了不正确的喷嘴
- 为防风等。使用Primus地带挡风板及热反射板或将炉头移至无风区域。
- 油瓶内压力过大，关小开关来降低火力。
- 燃料放置时间太久或燃料品质较低

9 服务与维修

- 9.1 如果您通过阅读使用说明依然无法排除故障，那么请将炉具寄给当地零售商。
- 9.2 切勿尝试通过其它途径来维护或维修此炉具。
- 9.3 切勿对炉具进行更改。这样会导致炉具在使用时不安全。
- 9.4 炉具出厂时配有原装软管，严禁用任何其它软管来替代此原装软管732910。

10. 配件及附件

- 10.1 仅可使用Primus品牌配件及附件。安装配件及附件时请加倍小心。避免碰触高温区域。
- 10.2 仅可使用Primus 734120, 721950, 721960 及 732530油瓶或Primus PowerGas 2202, 2206, 2207(丙烷/丁烷/异丁烷)混合气罐
- 10.3 配件可从当地经销商或代理商处获得。
- 10.4 为了更加便利的获得各种配件或附件，请咨询Primus本地代理商。详情请登陆 www.primusequipment.com

EN**FOR YOUR SAFETY**

IF YOU SMELL GAS

1. Do not attempt to light appliance.
2. Extinguish any open flame.
3. Disconnect from fuel supply.

FOR YOUR SAFETY

Do not store or use gasoline or other liquids with flammable vapours in the vicinity of this or any other appliance.

 **WARNING****FIRE OR EXPLOSION HAZARD**

IF YOU SMELL GAS

1. Do not attempt to light appliance.
2. Make sure appliance is in the off position.
3. Extinguish any nearby flame(s).
4. Shut of cylinder fuel supply valve if so equipped, or if equipped with a disposable fuel cylinder, disconnect cylinder.
5. Leave the area immediately.
6. Allow gas to dissipate 5 minutes.
7. If gas smell has dissipated from the area, of the appliance, and fuel supply, follow gas connection procedures.
8. If you smell gas again, follow steps 1-6 and have appliance serviced.

Failure to follow these instructions could result in fire or explosion, which could cause property damage, personal injury, or death.

DANGER CARBON MONOXIDE HAZARD

This appliance can produce carbon monoxide which is poisonous and has no odour.

Using it in an enclosed space can kill you. Never use this appliance in an enclosed space such as a camper, tent, car or home.



Keep stove area clear and free from combustible materials, gasoline and other flammable vapors and liquids.



See too that no obstruction of combustion or ventilation occur.



See too that the flame on the appliance is steady. The flame shall always leave the stove straight upwards.

Note! Wind may press the flame down under the burner, if that happens stop the stove immediately and move it to a wind protected area.



When the stove is in storage, the gas canister has to be disconnected.



Improper installation, use, adjustment, alteration, service, or maintenance can cause injury or property damage. Refer to this manual. For assistance or additional information consult a qualified installer, service agency or gas supplier.

FR**POUR VOTRE SÉCURIT**

QUE FAIRE SI VOUS SENTEZ DU GAZ :

1. Ne pas tenter d'allumer l'appareil.
2. Éteindre toute flamme.
3. Couper l'alimentation en gaz à la source.

POUR VOTRE SÉCURITÉ

Ne pas entreposer ni utiliser d'essence, ni d'autres liquides dont les vapeurs sont inflammables, à proximité du présent appareil ou de tout autre appareil.

 **WARNING****RISQUE D'INCENDIE OU D'EXPLOSION**

EN PRÉSENCE D'UNE ODEUR DE GAZ :

1. Ne pas tenter d'allumer l'appareil ;
2. Éteindre toute flamme nue ;
3. Couper l'alimentation en gaz à la source ;
4. Permettre au gaz de se dissiper pendant 5 minutes avant d'allumer à nouveau l'appareil.

Le non-respect de ces instructions peut causer un incendie ou une explosion, qui pourrait entraîner des dommages matériels, des blessures ou la mort.

DANGER OXYDE DE CARBONE

Le présent appareil peut produire de l'oxyde de carbone, un gaz inodore.

L'utilisation de l'appareil dans un espace clos peut entraîner la mort.

Ne jamais utiliser l'appareil dans un espace clos comme un véhicule de camping, une tente, une automobile ou une maison.



Écarter de la zone du réchaud tout matériel combustible, essence et autres vapeurs et liquides inflammables.



Veiller à ce qu'il n'y ait pas d'obstruction à la combustion ni à la ventilation.



Veiller à ce que la flamme de l'appareil soit stable. La flamme devrait toujours jaillir verticalement du réchaud.

Attention! Le vent peut rabattre la flamme sous le brûleur. Si cela se produit, arrêter le réchaud immédiatement et le déplacer dans un endroit à l'abri du vent.



Lors de l'entreposage du réchaud, la cartouche de gaz doit en être séparée.

**POUR VOTRE SÉCURITÉ**

Ne pas entreposer ni utiliser d'essence ni d'autres vapeurs ou liquides inflammables à proximité de cet appareil ou de tout autre appareil.